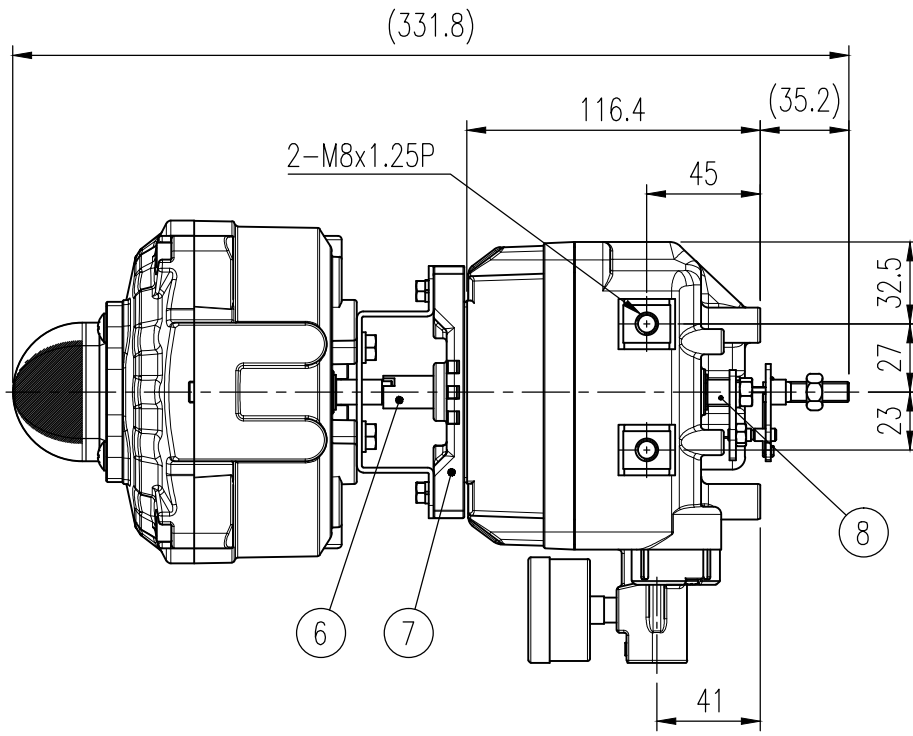
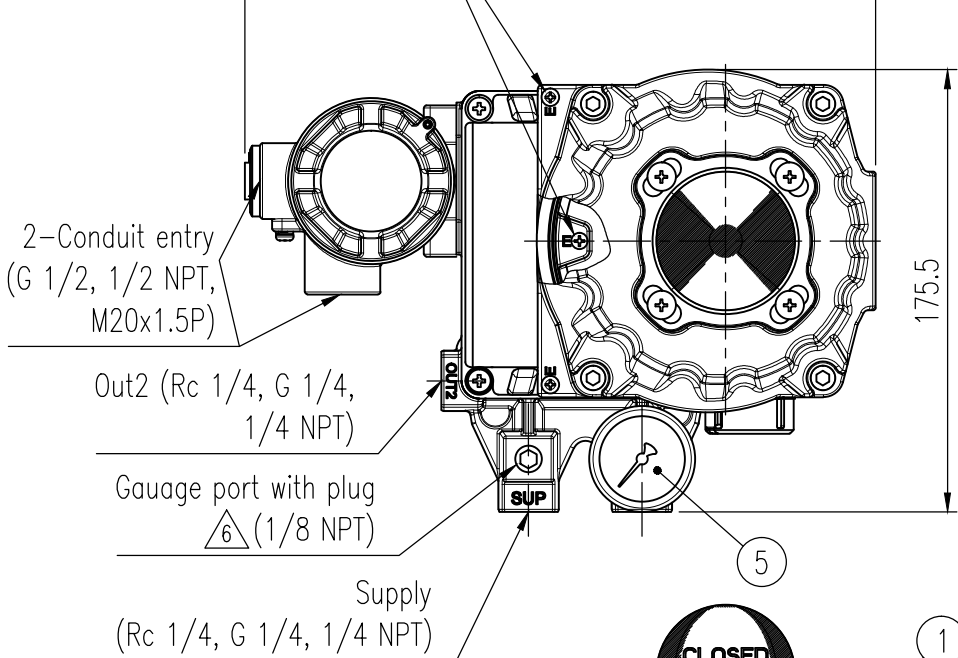
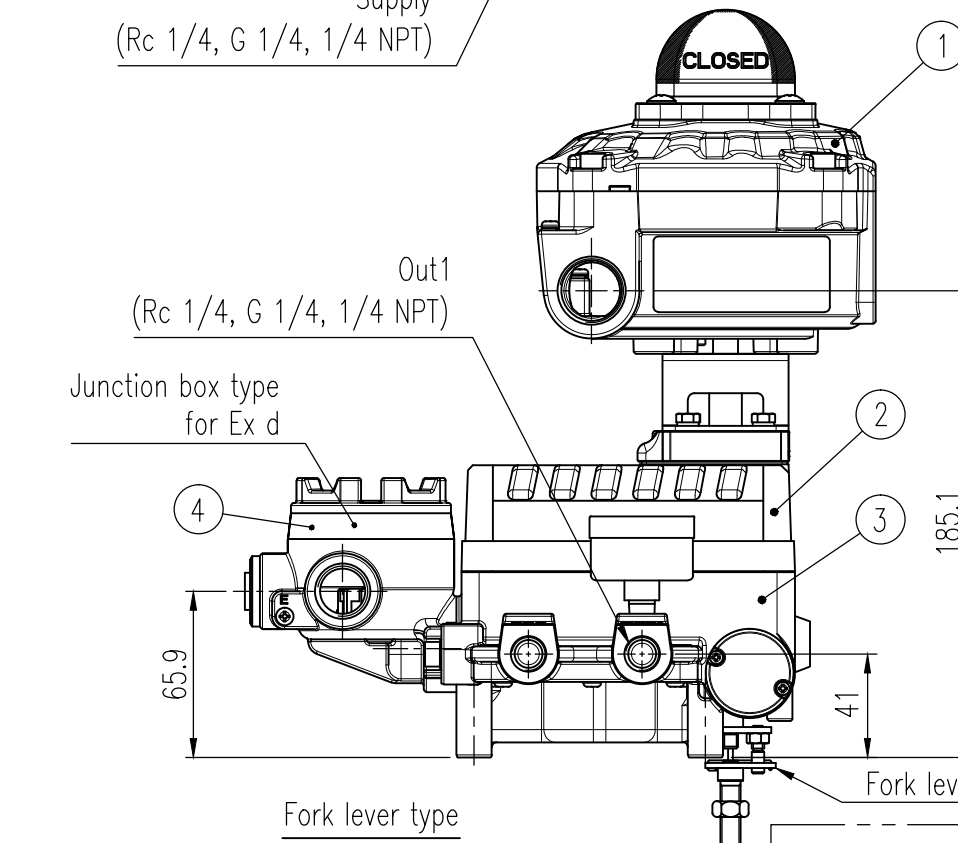
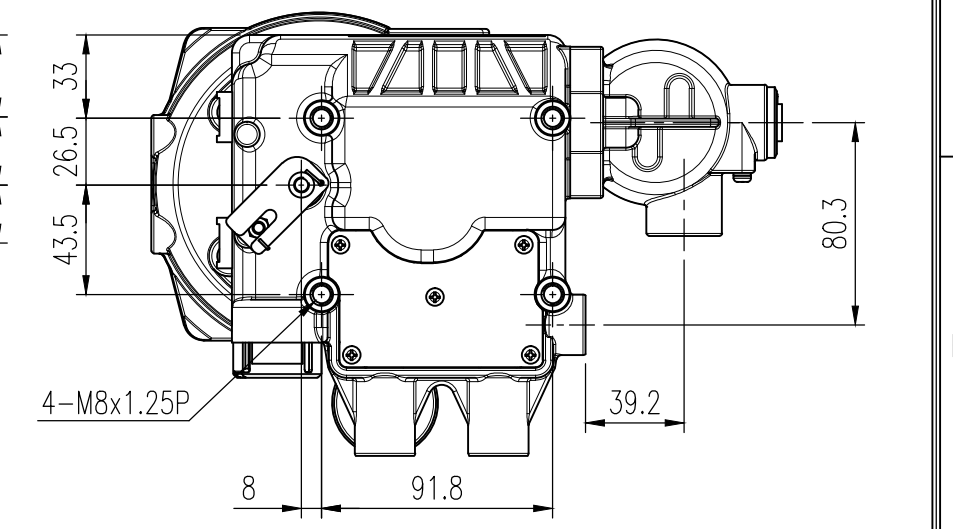


Earth (External, Internal)

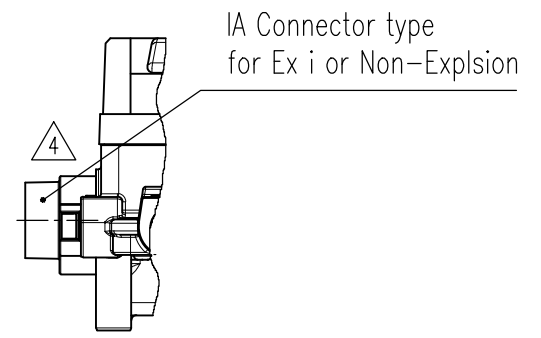
1. Minimum Size Wire 1mm or 18AWG.
2. M4x5 Round Head Screw
3. M4 Spring washer



REV.NO.	REVISION DESCRIPTION	DRAWN / DATE	REVIEWED / DATE	APPROVED / DATE
	Previous versions omitted			
△	Company name changed	KSH/20191024	KCH/20191024	KTJ/20191024
△	Gauge threads integrated ...	KCH/20250116	JCS/20250116	KTJ/20250116



No.	Part name	Material	Q'ty	Remark
1	YT-870	-	1	
2	Base cover	ALDC12	1	
3	Base body	ALDC12	1	
4	Junction box	ALDC12	1	
5	Pressure gauge	STS304	1	△ 1/8 NPT
6	Adapter	STS303	1	
7	Bracket block	ALDC12	1	
8	Main shaft	STS303	1	Fork lever, Namur

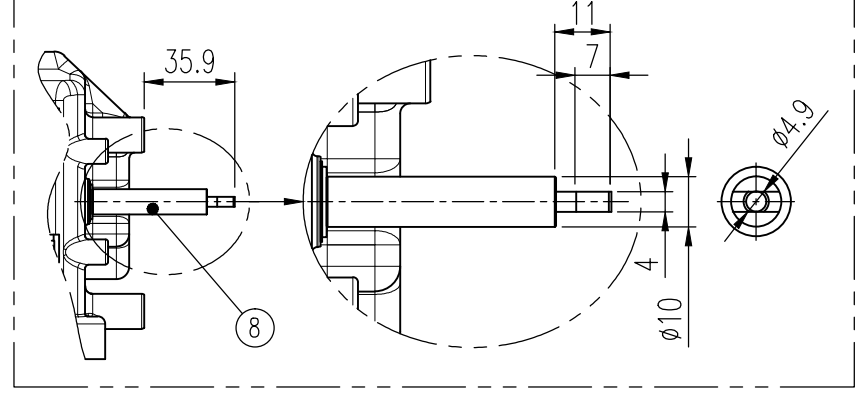
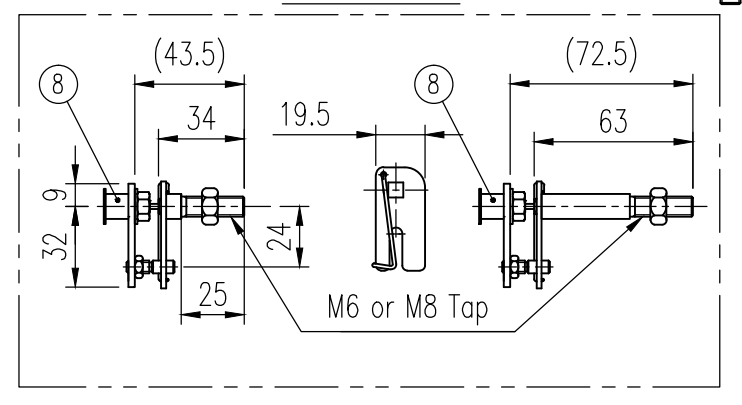


Specification {YT-870(Limit switch & SPTM) External}

Model		YT-870	
Limit Switch	Switch Type	Mechanical Switch, 2 x SPDT <input type="checkbox"/> (2 x SPDT)	Inductive Proximity Sensor <input type="checkbox"/> x 2
		SS-5GL (OMRON)	PS17-5DNU (Autonics, NPT type)
Switch Rating	AC	250 V 3A, 125 V 5A	-
	DC	250 V 0.2 A, 125 V 0.4 A, 30 V 4 A, 14 V 5 A, 8 V 5 A	12 to 24 V
Terminal		8 Point	
<input type="checkbox"/> SPTM	Input Type	2 Wire	
	Load Resistance	$R_{ext} \leq (V_s - 9) / 20 \text{ mA}$, 750 ohms @ $V_s = 24 \text{ V}$	
	Supply Voltage	9-28 V DC	
Ingress Protection		Type 4, 4X (CSA), IP 67	
Explosion Protection		Flameproof enclosure: KCs, ATEX, IECEx, CSA, CCC Refer to certificates for details.	
Ambient Temp.		-20 to 60°C (-4 to 140°F)	
Conduit entry		G 3/4 (for CSA or CCC, 1/2 NPT)	
Housing Material		Aluminum	
Weight		1.5kg (3.3 lb)	

Specification (Positioner)

Motion Type	Rotary	
Acting Type	<input type="checkbox"/> Single	<input type="checkbox"/> Double
Input Signal	4-20 mA DC	
Impedance	Max. 250 ± 15Ω	
Supply Pressure	0.14 to 0.7 MPa (1.4 to 7 bar)	
Stroke	55 to 100°	
Conduit-Air Connection	<input type="checkbox"/> G 1/2-Rc 1/4	<input type="checkbox"/> G 1/2-1/4 NPT
	<input type="checkbox"/> G 1/2-G 1/4	<input type="checkbox"/> M20x1.5P-1/4 NPT
	<input type="checkbox"/> 1/2 NPT-1/4 NPT	
Explosion Proof	Ex d m, Ex i, Non-Explosion proof Refer to Ex certificates (KCs, ATEX, IECEx, CSA, CCC) for details	
Operating Temp.	-20°C to 70 °C (-4 to 158 °F)	
Ambient Temp. of Ex	Refer to certifications for details	
Linearity	Single	± 1.0 % F.S.
	Double	± 2.0 % F.S.
Hysteresis	± 1.0 % F.S.	
Sensitivity	Single	± 0.2 % F.S.
	Double	± 0.5 % F.S.
Repeatability	± 0.5 % F.S.	
Flow Capacity	> 80 LPM (Sup. = 0.14 MPa, 1.4 bar)	
Air Consumption	< 2.5 LPM (Sup. = 0.14 MPa, 1.4 bar)	
Ingress Protection	IP66 (excluding the pressure gauges)	
Weight	2.8 kg (6.2 lb)	
Feedback connection type	<input type="checkbox"/> M6x34L	<input type="checkbox"/> M6x63L
	<input type="checkbox"/> M8x34L	<input type="checkbox"/> M8x63L
	<input type="checkbox"/> NAMUR	
Housing Material	Aluminum	



SURFACE TEXTURE	PRODUCT NAME	E/P positioner		rotork Rotork YTC Limited GIMPO-SI, KOREA
FINISH TREATMENT	MODEL	YT-1000R + YT-870		
MATERIAL	PROJECTION	SCALE	1 / 3	TITLE
OTHERWISE NOTE	GENERAL TOLERANCE	QUANTITY	1	SHEET No.
			1 / 1	Rotary, Explosion proof, External L/S + SPTM type
				DRAWING NO. △ YT-1000R-15
				REV. 6

2019.01.23