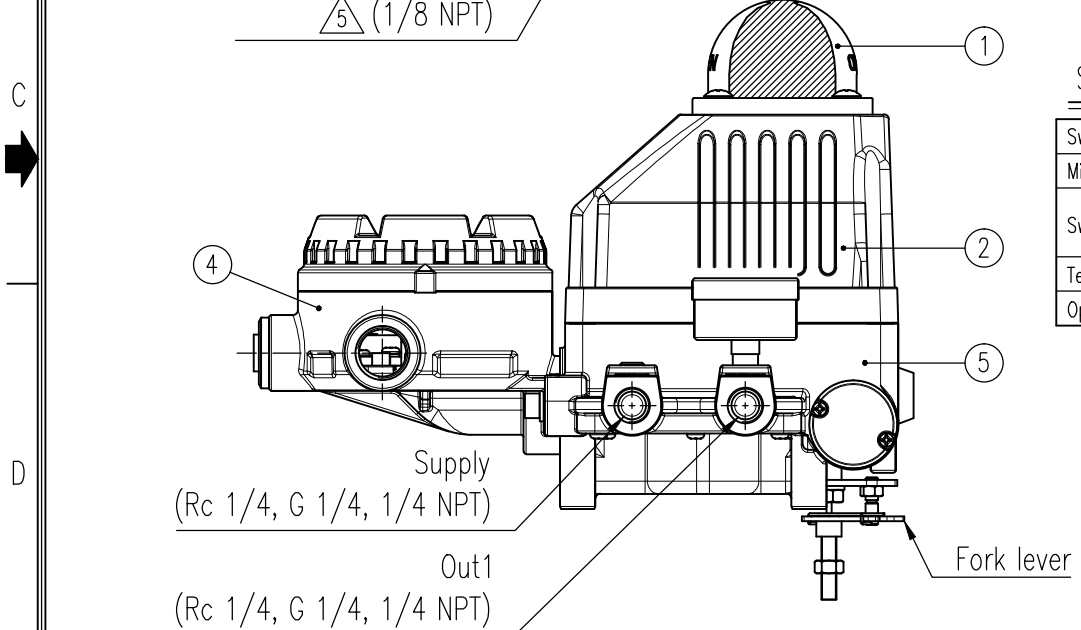
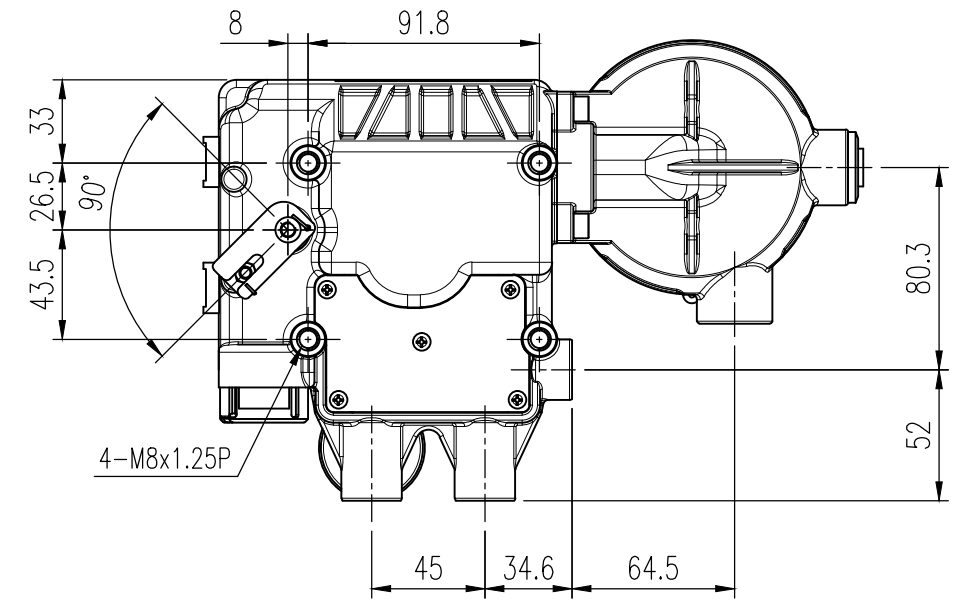
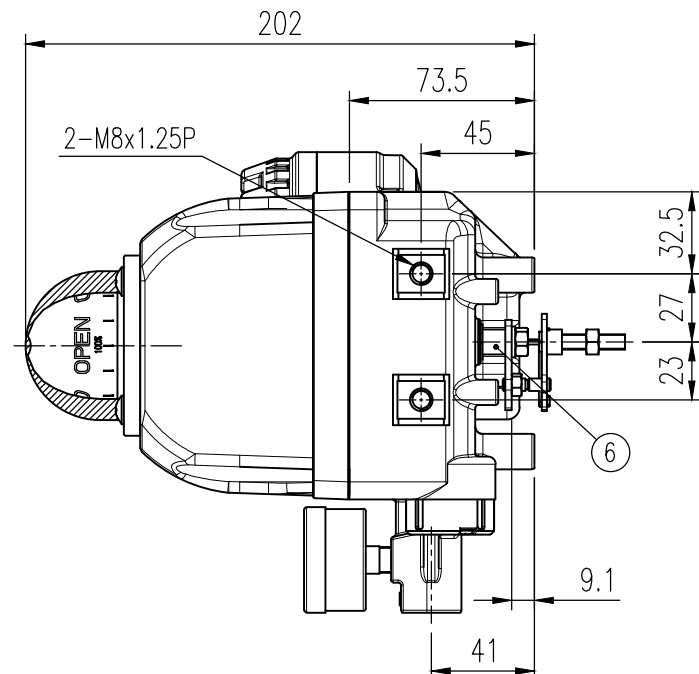
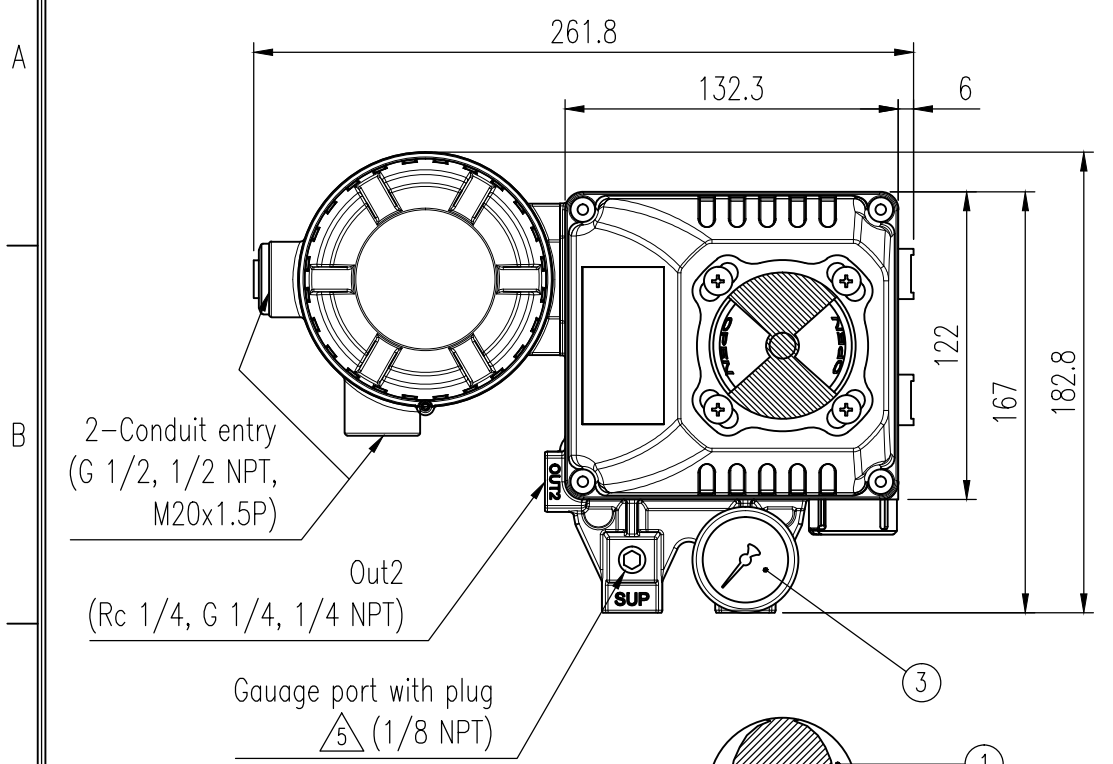


REV.NO.	REVISION DESCRIPTION	DRAWN / DATE	REVIEWED / DATE	APPROVED / DATE
	Previous versions omitted			
△	Company name changed	KSH/20191024	JCS/20191024	KTJ/20191024
△	Gauge threads integrated ...	KCH/20250116	JCS/20250116	KTJ/20250116



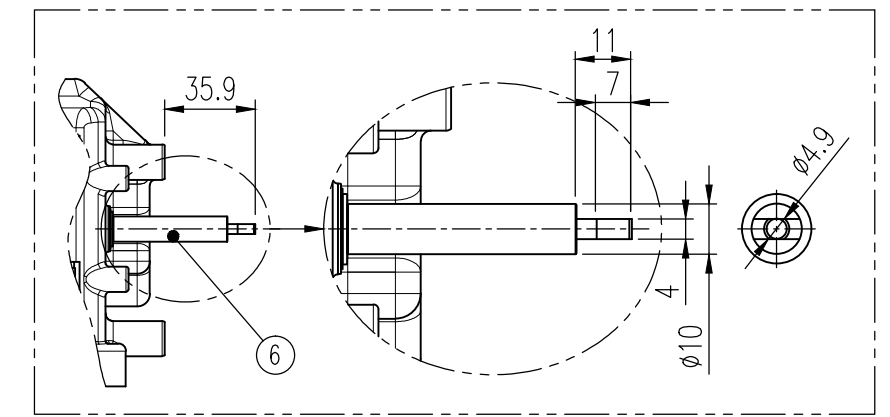
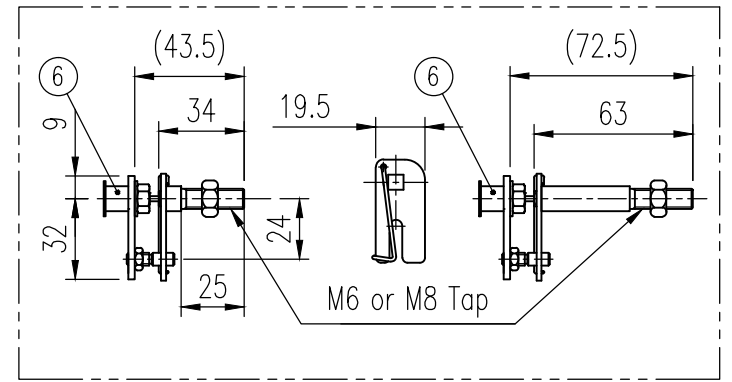
Specification (Limit switch)

Switch Type	Mechanical Switch (2 x SPDT)
Micro Switch Model	V-165-1A5 (OMRON)
Switch Rating	AC 250 V 16 A
	DC 125 V 0.6 A, 250 V 0.3 A
Terminal	8 Points
Operating Temp.	-25 to 80 °C (-13 to 176 °F)

Specification (Positioner)

Motion Type	Rotary		Linearity	Single	± 1.0 % F.S.
Acting Type	<input type="checkbox"/> Single	<input type="checkbox"/> Double	Double		± 2.0 % F.S.
Input Signal	4-20 mA DC		Hysteresis		± 1.0 % F.S.
Impedance	Max. 250 ± 15 Ω		Sensitivity	Single	± 0.2 % F.S.
Supply Pressure	0.14 to 0.7 MPa (1.4 to 7 bar)		Double		± 0.5 % F.S.
Stroke	55 to 100°		Repeatability		± 0.5 % F.S.
Conduit-Air Connection	<input type="checkbox"/> G 1/2-Rc 1/4	<input type="checkbox"/> G 1/2-1/4 NPT	Flow Capacity	> 80 LPM (Sup. = 0.14 MPa, 1.4 bar)	
	<input type="checkbox"/> G 1/2-G 1/4	<input type="checkbox"/> M20x1.5P-1/4 NPT	Air Consumption	< 2.5 LPM (Sup. = 0.14 MPa, 1.4 bar)	
	<input type="checkbox"/> 1/2 NPT-1/4 NPT		Ingress Protection	IP66 (excluding the pressure gauges)	
Explosion Protection	Non-Explosion proof		Weight	2.8kg (6.2 lb)	
Orifice Type	<input type="checkbox"/> Ø1	<input type="checkbox"/> Ø2	<input type="checkbox"/> None	Feedback connection type	<input type="checkbox"/> M6x34L <input type="checkbox"/> M6x63L <input type="checkbox"/> NAMUR
Operating Temp.	-20 to 70 °C (-4 to 158 °F)		Housing Material	Aluminum	
			Painting	Polyester Powder Coating	

No.	Part name	Material	Q'ty	Remark
1	Indicator dome	Polycarbonate	1	
2	Base cover	ALDC12	1	
3	Pressure gauge	STS304	1	$\triangle 5$ 1/8 NPT
4	Junction box	ALDC12	1	
5	Base body	ALDC12	1	
6	Main shaft	STS303	1	Fork lever or NAMUR



SURFACE TEXTURE	PRODUCT NAME	E/P Positioner		Rotork YTC Limited GIMPO-SI, KOREA	
FINISH TREATMENT	MODEL	YT-1000R			
MATERIAL	PROJECTION	SCALE	1 / 3	TITLE	
OTHERWISE NOTE	GENERAL TOLERANCE	QUANTITY	1	Rotary, L/S internal, Dome type	
		SHEET No.	1 / 1	DRAWING NO.	REV.
				$\triangle 5$ YT-1000R-11	5