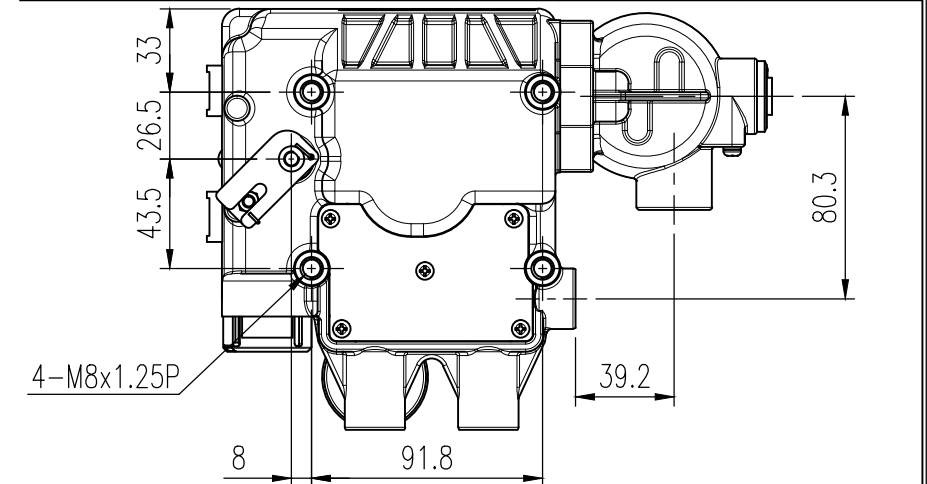
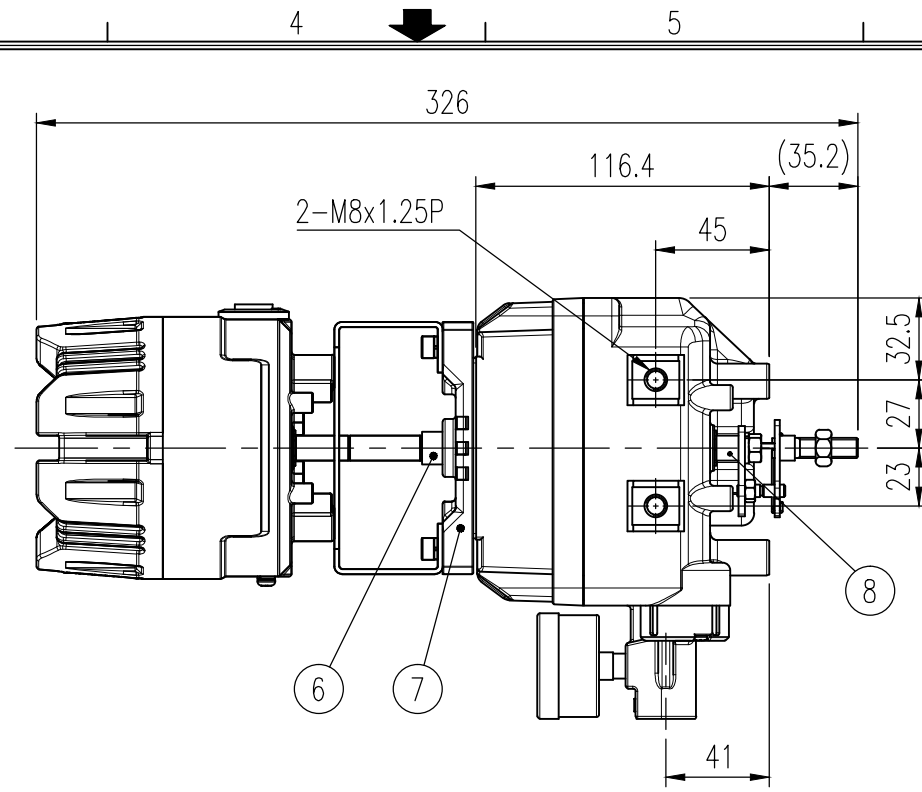
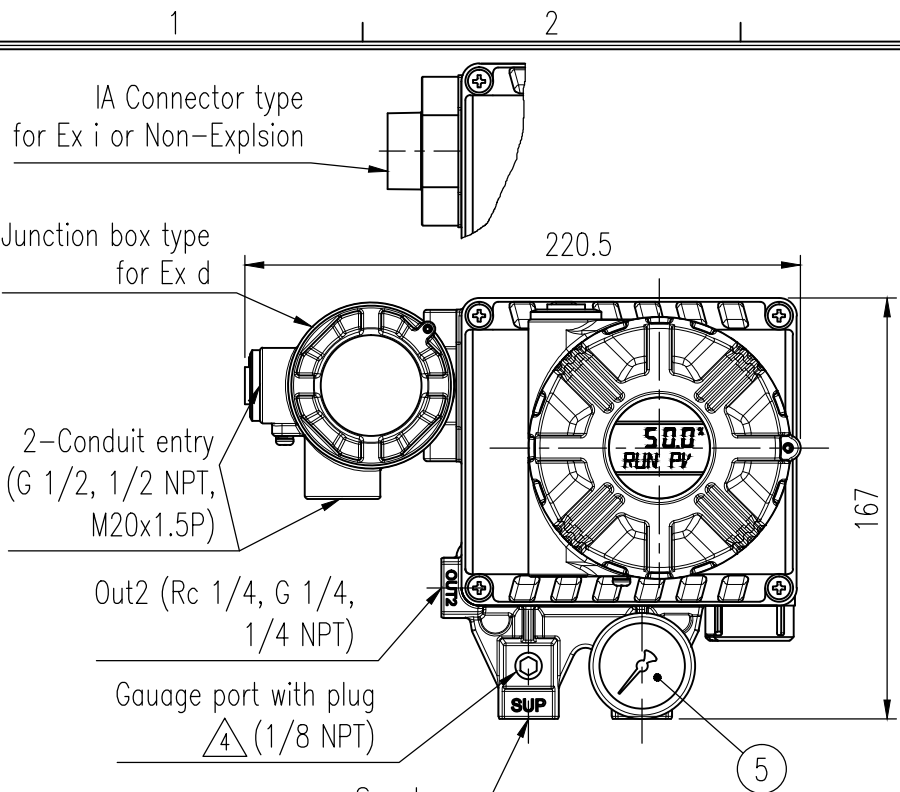


REV.NO.	REVISION DESCRIPTION	DRAWN / DATE	REVIEWED / DATE	APPROVED / DATE
	Previous versions omitted			
△	Company name changed	KSH/20191101	KCH/20191101	KTJ/20191101
△	Gauge threads integrated ...	KCH/20241227	JCS/20241227	KTJ/20241227

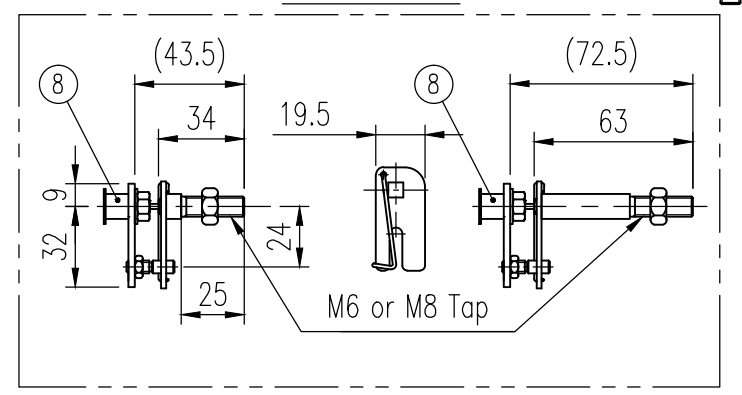
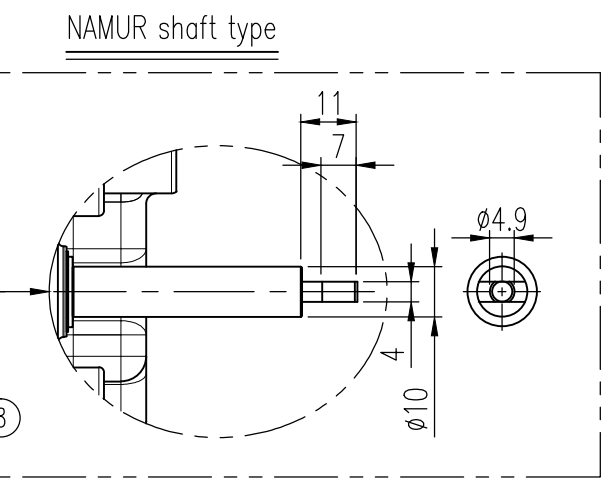
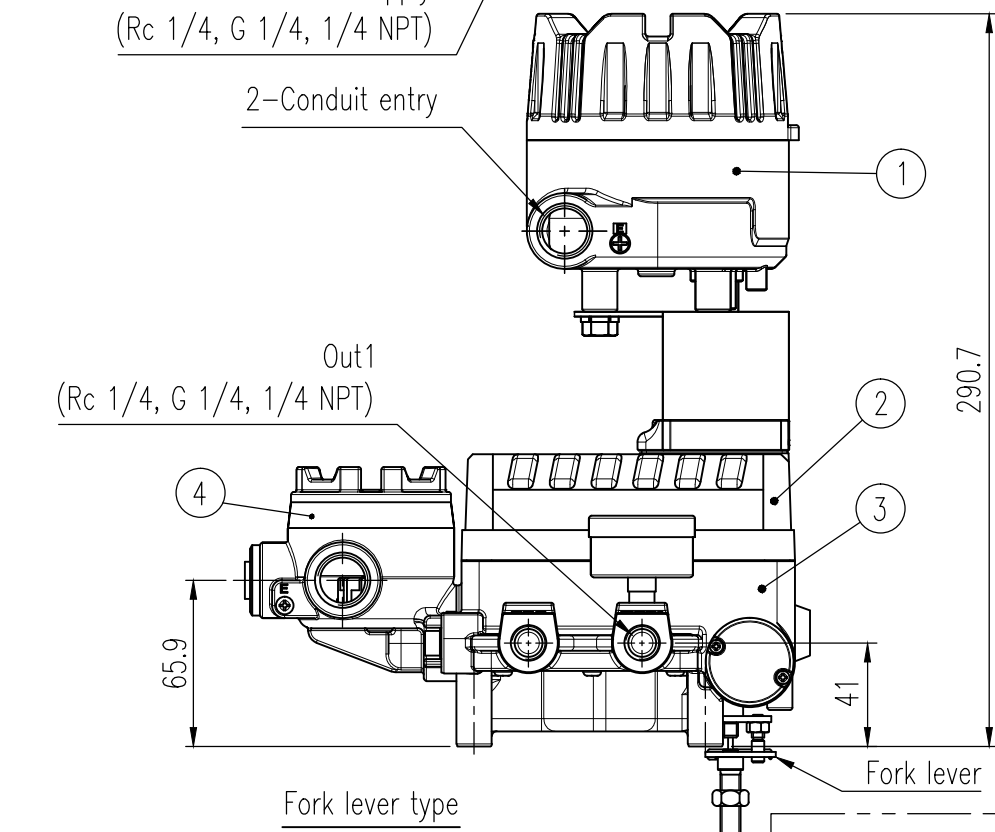


Specification (Positioner)

Motion Type	Rotary	
Acting Type	<input type="checkbox"/> Single	<input type="checkbox"/> Double
Input Signal	4 to 20 mA DC	
Impedance	Max. 250 ± 15 Ω	
Supply Pressure	0.14 to 0.7 MPa (1.4 to 7 bar)	
Stroke	55 to 100°	
Conduit-Air Connection	<input type="checkbox"/> G 1/2-Rc 1/4	<input type="checkbox"/> G 1/2-1/4 NPT
	<input type="checkbox"/> G 1/2-G 1/4	<input type="checkbox"/> M20x1.5P-1/4 NPT
	<input type="checkbox"/> 1/2 NPT-1/4 NPT	
Explosion Protection	<input type="checkbox"/> KCs : Ex dmb IIB T5/T4	<input type="checkbox"/> NEPSI : Ex db mb IIB T5 Gb
	<input type="checkbox"/> KCs : Ex dmb IIC T5	<input type="checkbox"/> NEPSI : Ex db mb IIC T6 Gb
	<input type="checkbox"/> KCs : Ex ia IIC T6 Gb	<input type="checkbox"/> NEPSI : Ex ia IIC T6 Gb
	<input type="checkbox"/> Non-Explosion	
Operating Temp.	Standard	<input type="checkbox"/> -20°C to 70 °C (-4 to 158 °F)
	Low	<input type="checkbox"/> -40°C to 70 °C (-40 to 158 °F)
Ambient Temp. of Ex	Refer to Ex certificates for details	
Linearity	Single	± 1.0 % F.S.
	Double	± 2.0 % F.S.
Hysteresis	± 1.0 % F.S.	
Sensitivity	Single	± 0.2 % F.S.
	Double	± 0.5 % F.S.
Repeatability	± 0.5 % F.S.	
Flow Capacity	> 80 LPM (Sup. = 0.14 MPa, 1.4 bar)	
Air Consumption	< 2.5 LPM (Sup. = 0.14 MPa, 1.4 bar)	
Ingress Protection	IP66 (excluding the pressure gauges)	
Weight	2.8 kg (6.2 lb)	
Feedback connection type	<input type="checkbox"/> M6x34L	<input type="checkbox"/> M6x63L
	<input type="checkbox"/> M8x34L	<input type="checkbox"/> M8x63L
	<input type="checkbox"/> NAMUR	
Housing Material	Aluminum	

Specifications (SPTM-6V External)

Smart Position Transmitter	
Connection Type	2 Wire
Input Stroke	55 to 100°
Output Signal	4-20 mA DC
External Load Resistance	Rext ≤ (Vs-9) / 20 mA, 750 ohms @Vs = 24 V
Supply Voltage	9-28 V DC
Explosion Proof	<input type="checkbox"/> KCs : Ex d IIC T6 <input type="checkbox"/> NEPSI : Ex d IIC T6 Gb
Conduit Entry	G 1/2(KCs), 1/2 NPT(NEPSI)
Ingress Protection	IP 67
Ambient Temp.	Operating: -40 to 85 °C (-40 to 185 °F) Explosion proof: -40 to 60 °C (-40 to 140 °F)
Linearity	± 1 % F.S.
Hysteresis	± 0.2 % F.S.
Sensitivity	± 0.2 % F.S.
Housing Material	Aluminum
Weight	1.3 kg (2.91 lb)



No.	Part name	Material	Q'ty	Remark
1	SPTM-6V	-	1	
2	Base cover	ALDC12	1	
3	Base body	ALDC12	1	
4	Junction box	ALDC12	1	
5	Pressure gauge	STS304	1	△ 1/8 NPT
6	Adapter	STS303	1	
7	Bracket block	ALDC12	1	
8	Main shaft	STS303	1	Fork lever, NAMUR

SURFACE TEXTURE	PRODUCT NAME	rotork Rotork YTC Limited GIMPO-SI, KOREA
FINISH TREATMENT	E/P positioner	
MATERIAL	MODEL	TITLE
OTHERWISE NOTE	PROJECTION	Rotary, Explosion proof, External SPTM type
GENERAL TOLERANCE	SCALE	DRAWING NO.
	3rd	1 / 3
	QUANTITY	SHEET No.
	1	1 / 1
		REV.
		△ YT-1000R-10
		4