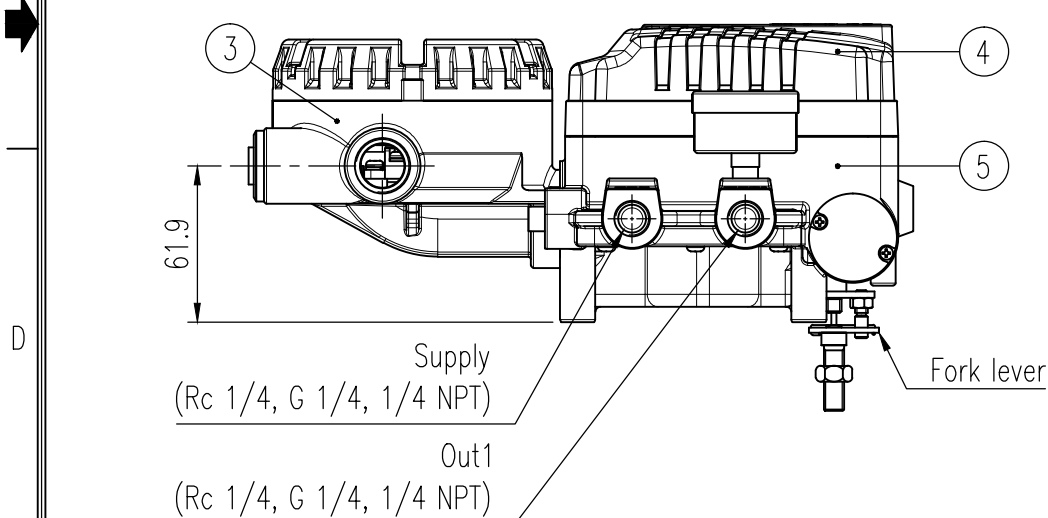
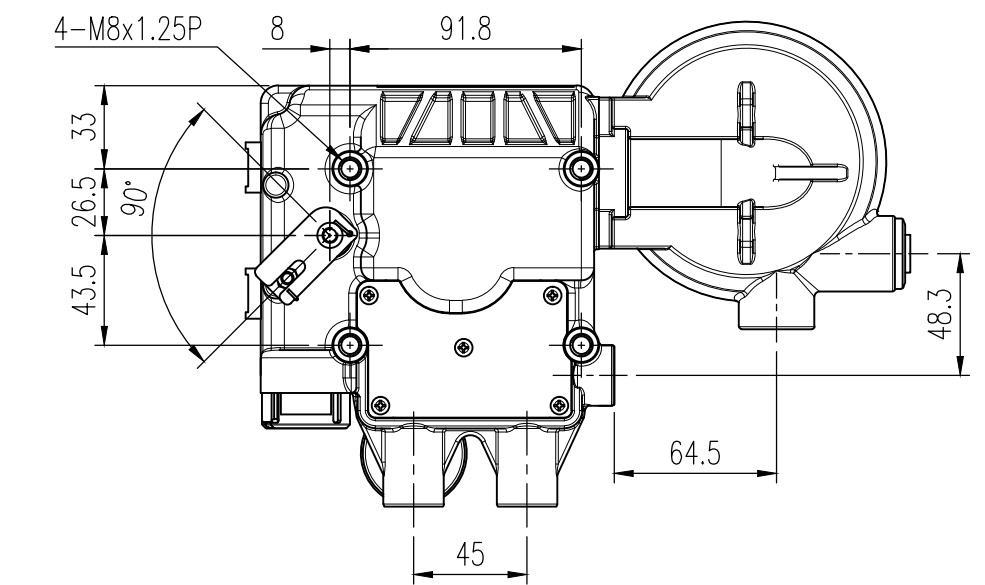
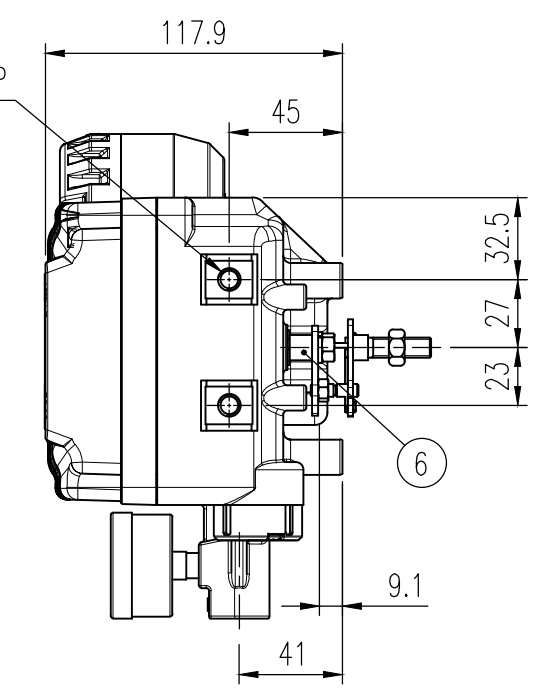
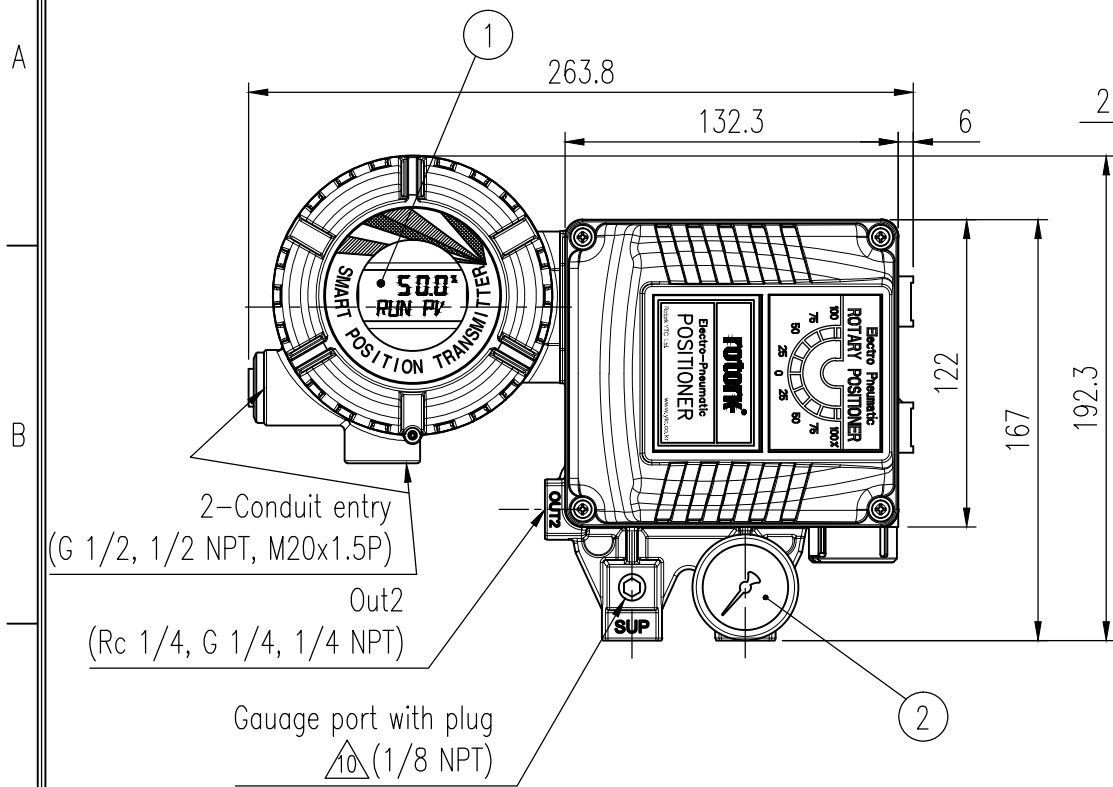


REV.NO.	REVISION DESCRIPTION	DRAWN / DATE	REVIEWED / DATE	APPROVED / DATE
	Previous versions omitted			
△	Company name changed	KSH/20191022	KCH/20191022	KTJ/20191022
△	Gauge threads integrated ...	KCH/20250116	JCS/20250116	KTJ/20250116



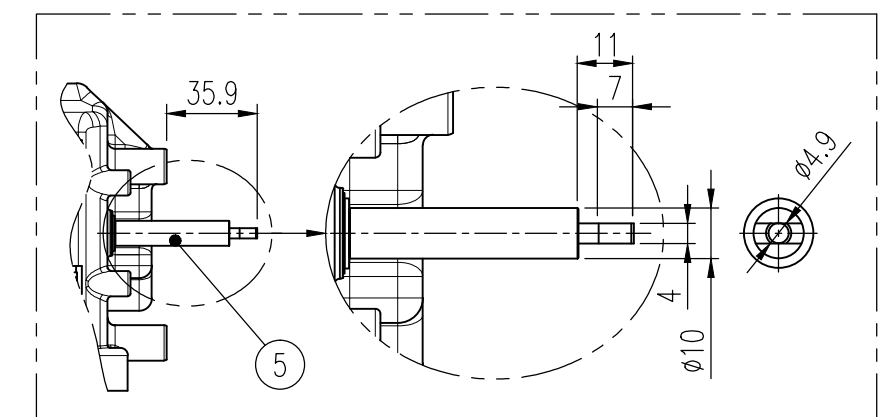
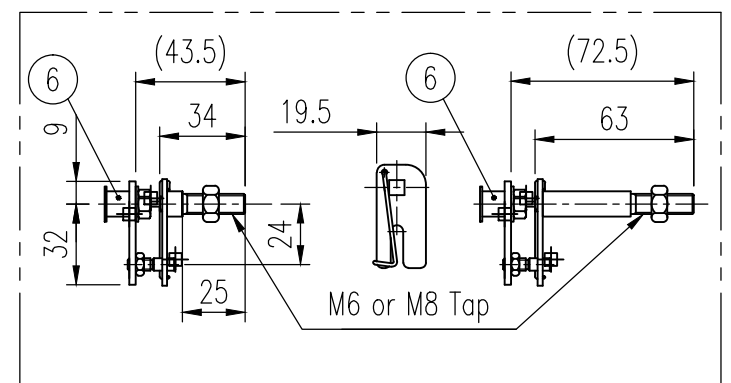
Specification (SPTM)

Smart position transmitter	
Input Type	2 Wire
Input Signal	55 to 100°
Output Signal	4-20mA DC
External load Resistance	$R_{ext} \leq (V_s - 9) / 20 \text{ mA}$ , 750 ohms @ $V_s = 24 \text{ V}$
Supply Voltage	$V_s : 9 \text{ to } 28 \text{ V DC}$
Linearity	$\pm 1 \% \text{ F.S.}$
Hysteresis	$\pm 0.2 \% \text{ F.S.}$
Sensitivity	$\pm 0.2 \% \text{ F.S.}$

Specification (Positioner)

Motion Type	Rotary	
Acting Type	<input type="checkbox"/> Single	<input type="checkbox"/> Double
Input Signal	4-20 mA DC	
Impedance	Max. $250 \pm 15 \Omega$	
Supply Pressure	0.14 to 0.7 MPa (1.4 to 7 bar)	
Stroke	55 to 100°	
Conduit-Air Connection	<input type="checkbox"/> G 1/2-Rc 1/4	<input type="checkbox"/> G 1/2-1/4 NPT
	<input type="checkbox"/> G 1/2-G 1/4	<input type="checkbox"/> M20x1.5P-1/4 NPT
	<input type="checkbox"/> 1/2 NPT-1/4 NPT	
Explosion Protection	Non-Explosion proof	
Orifice Type	<input type="checkbox"/> $\phi 1$	<input type="checkbox"/> $\phi 2$ <input type="checkbox"/> None
Operating Temp.	Standard	<input type="checkbox"/> -20°C ~ 70°C (-4 ~ 158°F)
	Low	<input type="checkbox"/> -40°C ~ 70°C (-40 ~ 158°F)

Linearity	Single	$\pm 1.0 \% \text{ F.S.}$
	Double	$\pm 2.0 \% \text{ F.S.}$
Hysteresis		$\pm 1.0 \% \text{ F.S.}$
Sensitivity	Single	$\pm 0.2 \% \text{ F.S.}$
	Double	$\pm 0.5 \% \text{ F.S.}$
Repeatability		$\pm 0.5 \% \text{ F.S.}$
Flow Capacity		> 80 LPM (Sup. = 0.14 MPa, 1.4 bar)
Air Consumption		< 2.5 LPM (Sup. = 0.14 MPa, 1.4 bar)
Ingress Protection		IP66 (excluding the pressure gauges)
Weight		2.8kg (6.2 lb)
Feedback connection type	<input type="checkbox"/> M6x34L	<input type="checkbox"/> M6x63L
	<input type="checkbox"/> M8x34L	<input type="checkbox"/> M8x63L
	<input type="checkbox"/> NAMUR	
Housing Material	Aluminum	
Painting	Polyester Powder Coating	



No.	Part name	Material	Q'ty	Remark
1	LCD	-	1	
2	Pressure gauge	STS304	1	$\triangle 10$ 1/8 NPT
3	Junction box	ALDC12	1	
4	Base cover	ALDC12		
5	Base body	ALDC12	1	
6	Main shaft	STS303	1	Fork lever or NAMUR

SURFACE TEXTURE	-		PRODUCT NAME	E/P positioner	
FINISH TREATMENT	-		MODEL	YT-1000R + YT-870(L/S)	
MATERIAL	-		PROJECTION	SCALE	
OTHERWISE NOTE	GENERAL TOLERANCE	-	QUANTITY	1 / 3	
			1	SHEET No.	1 / 1

PROJECT NAME	
-	
<b>rotork</b> Rotork YTC Limited	
<small>GMP0-SI, KOREA</small>	
TITLE	
Rotary, SPTM(LCD) internal type	
DRAWING NO.	REV.
$\triangle 10$ YT-1000R-09	10