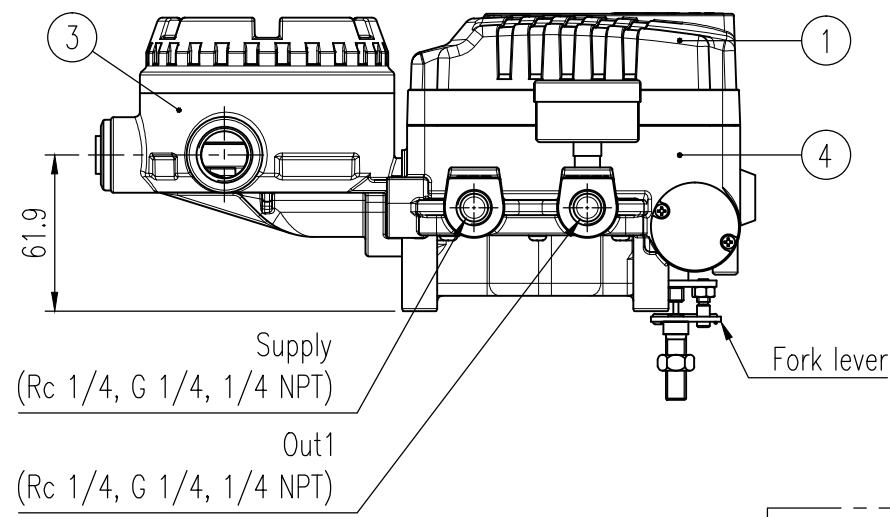
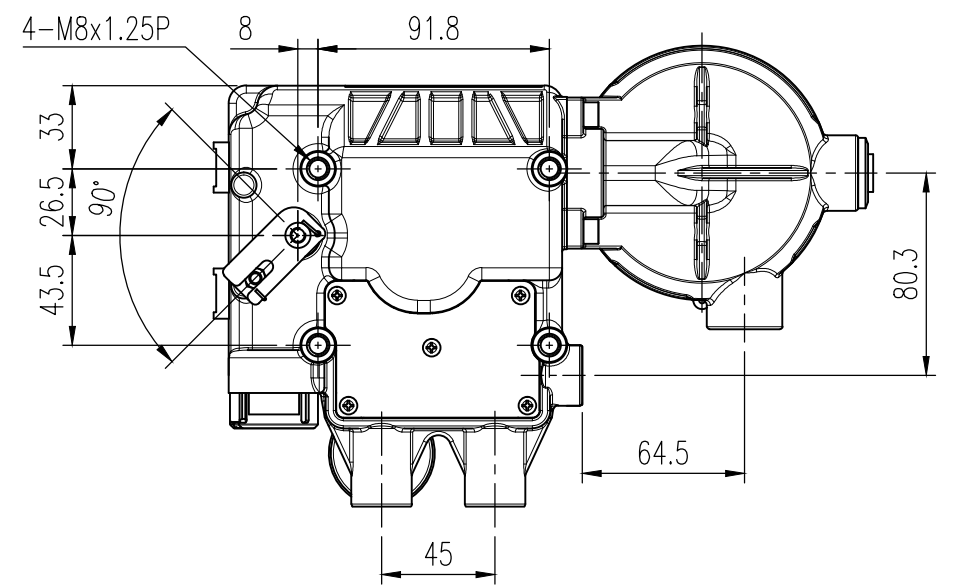
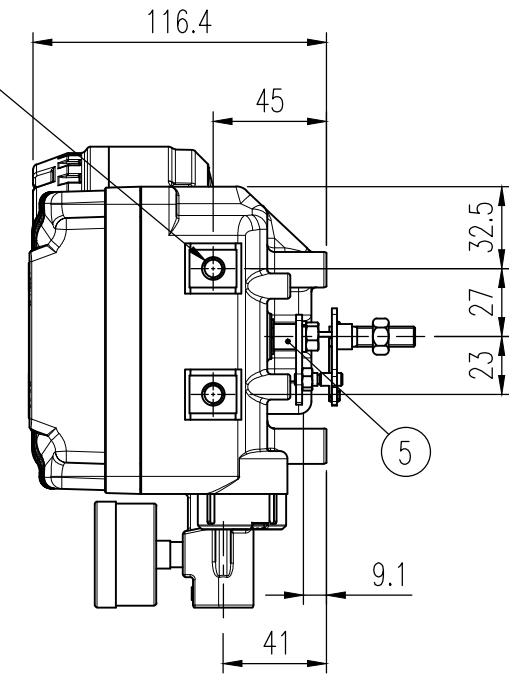
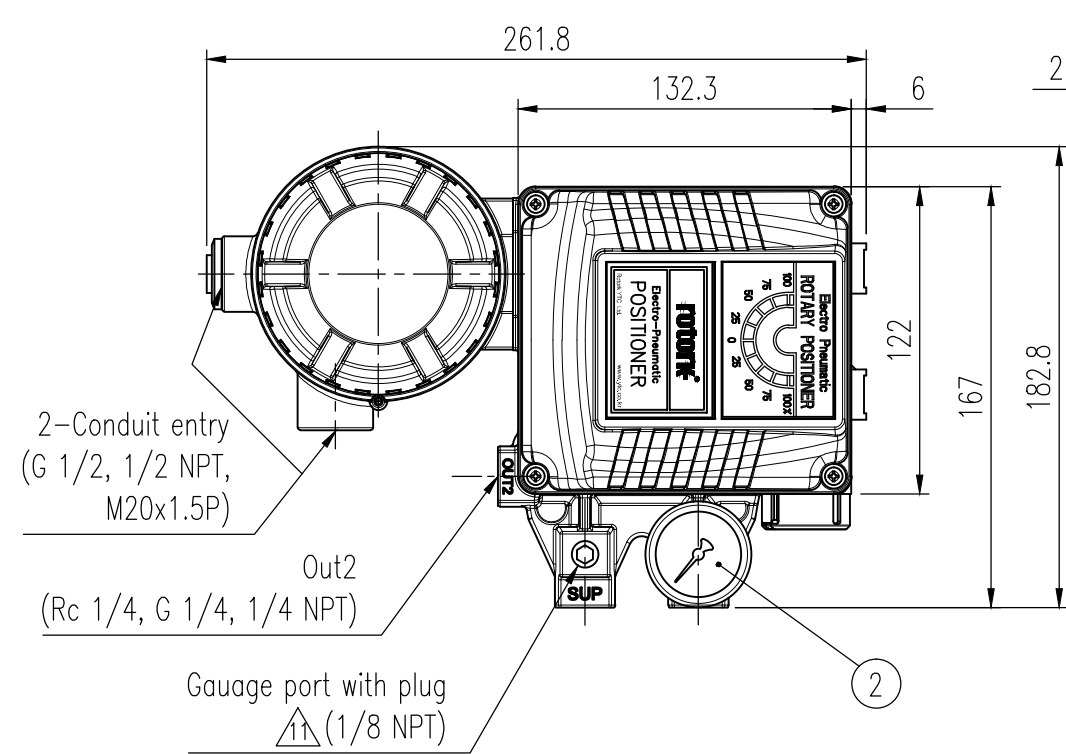


REV.NO.	REVISION DESCRIPTION	DRAWN / DATE	REVIEWED / DATE	APPROVED / DATE
	Previous versions omitted			
△	Company name changed	KSH/20191021	KCH/20191021	KTJ/20191021
△	Gauge threads integrated ...	KCH/20250116	JCS/20250116	KTJ/20250116



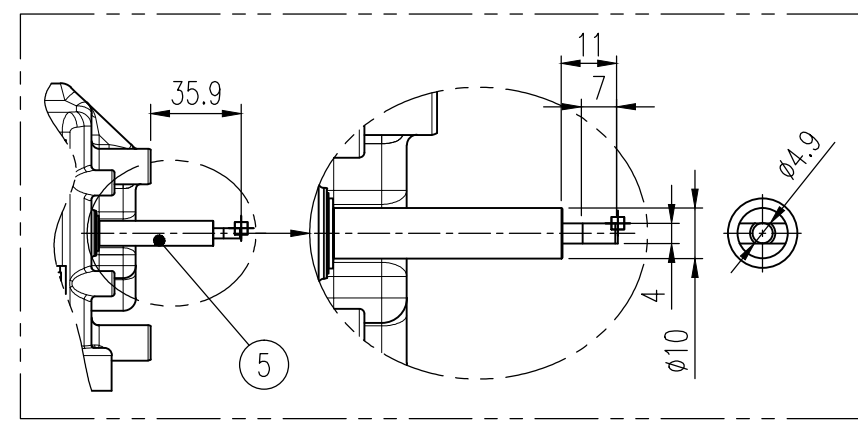
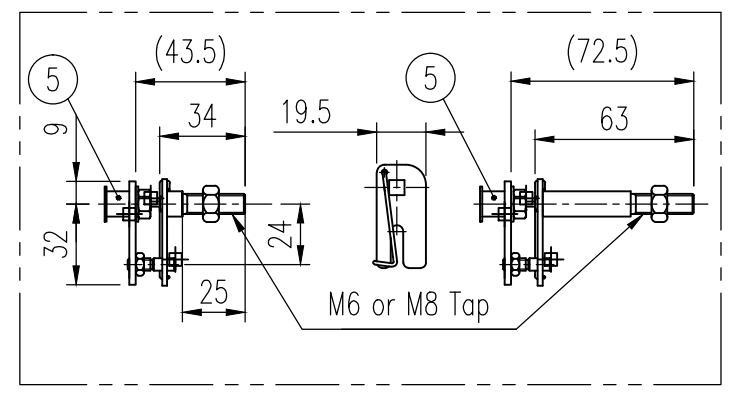
Specification (SPTM)

Smart position transmitter	
Input Type	2 Wire
Input Signal	10 to 150mm
Output Signal	4-20mA DC
External load Resistance	Rext ≤ (Vs-9) / 20 mA, 750 ohms @Vs = 24 V
Supply Voltage	Vs : 9 to 28 V DC
Linearity	± 1 % F.S.
Hysteresis	± 0.2 % F.S.
Sensitivity	± 0.2 % F.S.

Specification (Positioner)

Motion Type	Rotary	
Acting Type	<input type="checkbox"/> Single	<input type="checkbox"/> Double
Input Signal	4 to 20 mA DC	
Impedance	Max. 250 ± 15 Ω	
Supply Pressure	0.14 to 0.7 MPa (1.4 to 7 bar)	
Stroke	55 to 100°	
Conduit-Air Connection	<input type="checkbox"/> G 1/2-Rc 1/4	<input type="checkbox"/> G 1/2-1/4 NPT
	<input type="checkbox"/> G 1/2-G 1/4	<input type="checkbox"/> M20x1.5P-1/4 NPT
	<input type="checkbox"/> 1/2 NPT-1/4 NPT	
Explosion Protection	Non-Explosion proof	
Orifice Type	<input type="checkbox"/> Ø1	<input type="checkbox"/> Ø2 <input type="checkbox"/> None
Operating Temp.	Standard	<input type="checkbox"/> -20 to 70 °C (-4 to 158 °F)
	Low	<input type="checkbox"/> -40 to 70 °C (-40 to 158 °F)

Linearity	Single	± 1.0 % F.S.
	Double	± 2.0 % F.S.
Hysteresis		± 1.0 % F.S.
Sensitivity	Single	± 0.2 % F.S.
	Double	± 0.5 % F.S.
Repeatability		± 0.5 % F.S.
Flow Capacity		> 80 LPM (Sup. = 0.14 MPa, 1.4 bar)
Air Consumption		< 2.5 LPM (Sup. = 0.14 MPa, 1.4 bar)
Ingress Protection		IP66 (excluding the pressure gauges)
Weight		2.8 kg (6.2 lb)
Feedback connection type	<input type="checkbox"/> M6x34L	<input type="checkbox"/> M6x63L
	<input type="checkbox"/> M8x34L	<input type="checkbox"/> M8x63L <input type="checkbox"/> NAMUR
Housing Material	Aluminum	
Painting	Polyester Powder Coating	



No.	Part name	Material	Q'ty	Remark
1	Base cover	ALDC12	1	
2	Pressure gauge	STS304	1	△ 1/8 NPT
3	Junction box	ALDC12	1	
4	Base body	ALDC12	1	
5	Main shaft	STS303	1	Fork lever or NAMUR

SURFACE TEXTURE	PRODUCT NAME	
FINISH TREATMENT	E/P Positioner	
MATERIAL	MODEL	SCALE
OTHERWISE NOTE	PROJECTION	SCALE
GENERAL TOLERANCE	QUANTITY	SHEET No.
	1	1 / 1

PROJECT NAME	
rotork Rotork YTC Limited	
GMP0-SI, KOREA	
TITLE	
Rotary, SPTM(No LCD) internal	
DRAWING NO.	REV.
△ YT-1000R-07	11