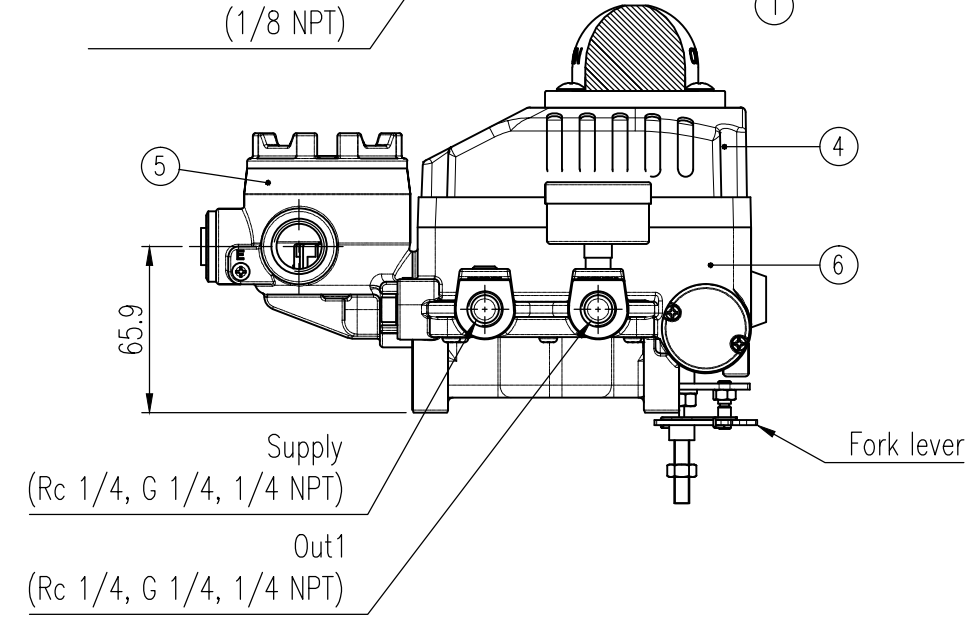
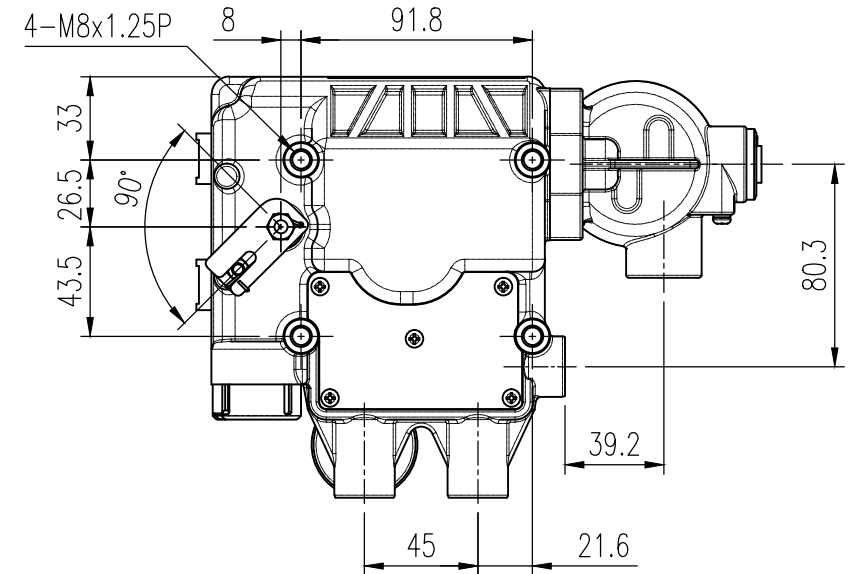
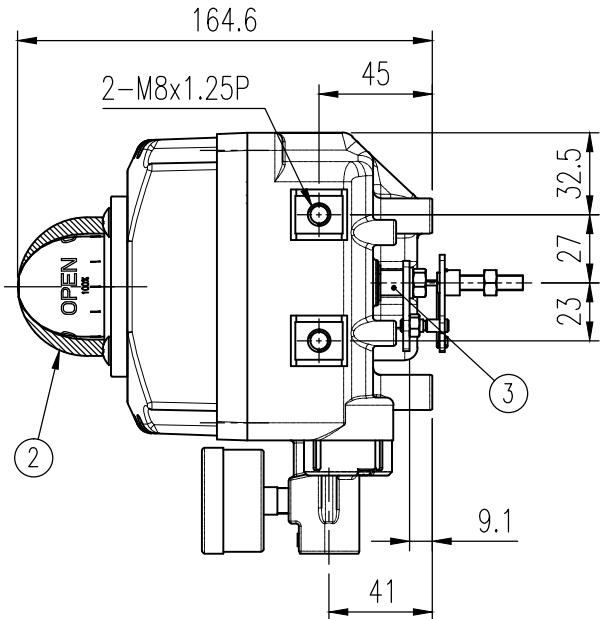
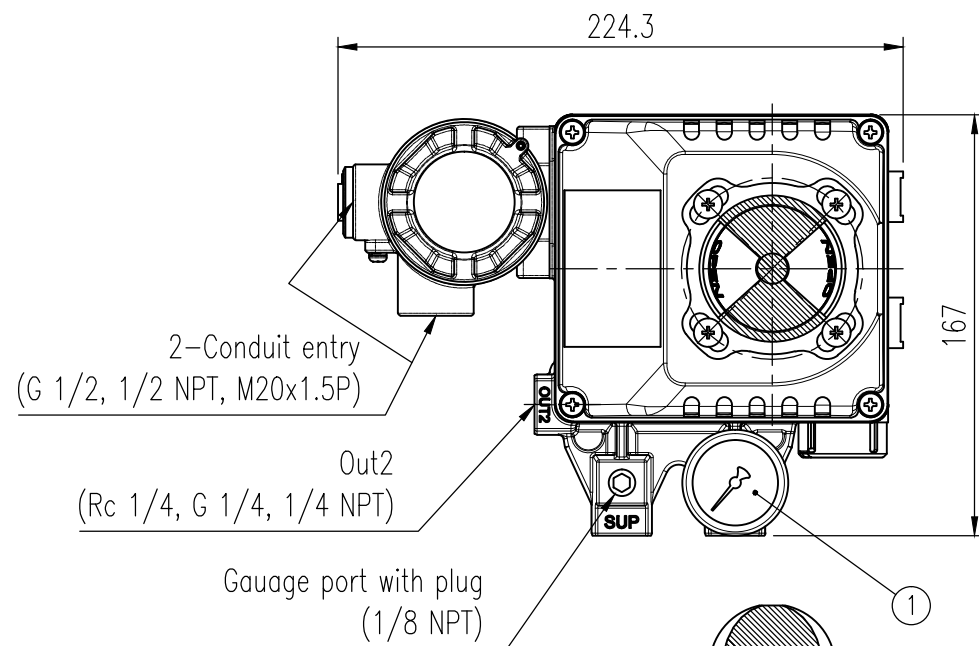


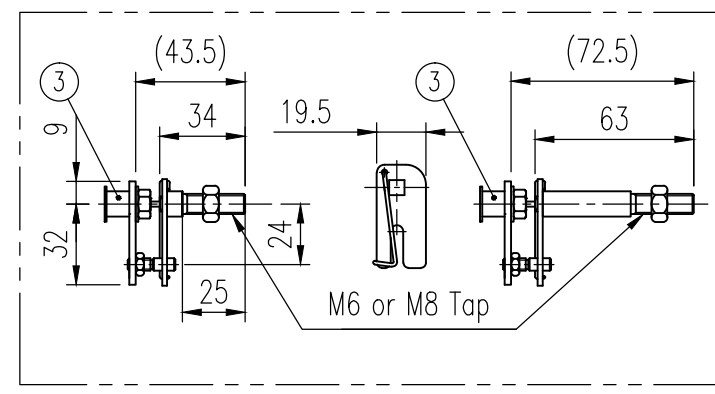
REV.NO.	REVISION DESCRIPTION	DRAWN / DATE	REVIEWED / DATE	APPROVED / DATE
△	First issued	KCH/20241227	JCS/20241227	KTJ/20241227



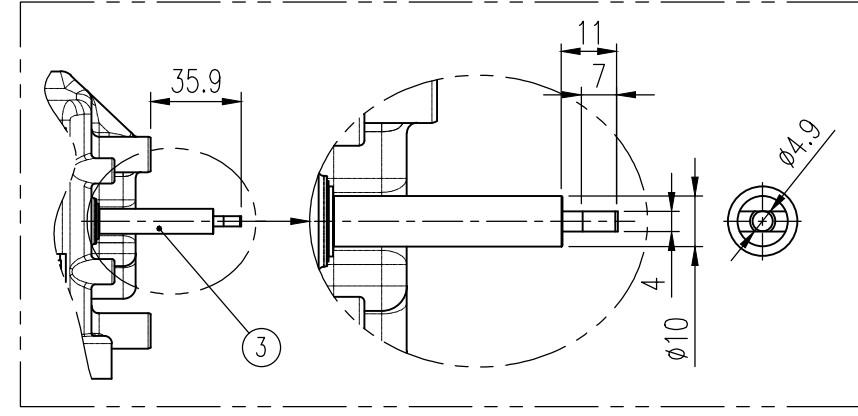
Specification

Motion Type	Rotary
Acting Type	<input type="checkbox"/> Single <input type="checkbox"/> Double
Input Signal	4-20 mA DC
Impedance	Max. 250 ± 15 Ω
Supply Pressure	0.14 to 0.7 MPa (1.4 to 7 bar)
Stroke	55 to 100°
Conduit-Air Connection	<input type="checkbox"/> G 1/2(N/A for CSA, CCC)-Rc 1/4 <input type="checkbox"/> G 1/2(N/A for CSA, CCC)-1/4 NPT <input type="checkbox"/> G 1/2(N/A for CSA, CCC)-G 1/4 <input type="checkbox"/> M20x1.5P-1/4 NPT <input type="checkbox"/> 1/2 NPT-1/4 NPT
Explosion Protection	<input type="checkbox"/> ATEX, IECEx, NEPSI : Ex db mb IIB T5 Gb <input type="checkbox"/> KCs : Ex dmb IIB T5/T4 <input type="checkbox"/> KCs : Ex dmb IIC T5 <input type="checkbox"/> CSA : Ex d m IIB T5 Gb <input type="checkbox"/> CCC, NEPSI : Ex db mb IIB T5 Gb <input type="checkbox"/> CCC, NEPSI : Ex db mb IIC T6 Gb
Orifice Type	<input type="checkbox"/> φ1 <input type="checkbox"/> φ2 <input type="checkbox"/> None

Operating Temp.	Standard	<input type="checkbox"/> -20 to 70 °C (-4 to 158 °F)
	High	<input type="checkbox"/> -20 to 120 °C (-4 to 248 °F)
	Low	<input type="checkbox"/> -40 to 70 °C (-40 to 158 °F)
Ambient Temperature of Explosion Proof		See certificates or product manual
Linearity	Single	± 1.0 % F.S.
	Double	± 2.0 % F.S.
Hysteresis		± 1.0 % F.S.
Sensitivity	Single	± 0.2 % F.S.
	Double	± 0.5 % F.S.
Repeatability		± 0.5 % F.S.
Flow Capacity		> 80 LPM (Sup. = 0.14 MPa, 1.4 bar)
Air Consumption		< 2.5 LPM (Sup. = 0.14 MPa, 1.4 bar)
Ingress Protection		IP66, Type 4X(FM), (excluding the pressure gauges)
Weight		2.8 kg (6.2 lb)
Feedback Connection Type	<input type="checkbox"/> M6x34L	<input type="checkbox"/> M6x63L
	<input type="checkbox"/> M8x34L	<input type="checkbox"/> M8x63L
Housing Material		Aluminum
Painting		Polyester Powder Coating



Fork lever type



NAMUR shaft type

No.	Part name	Material	Q'ty	Remark
1	Pressure gauge	STS304	1	1/8 NPT
2	Indicator dome	Polycarbonate	1	
3	Main shaft	STS303	1	Fork lever or NAMUR
4	Base cover	ALDC12	1	
5	Junction box	ALDC12	1	
6	Base body	ALDC12	1	

SURFACE TEXTURE	PRODUCT NAME	rotork® Rotork YTC Limited GMP0-SI, KOREA
FINISH TREATMENT	E/P Positioner	
MATERIAL	MODEL	TITLE
OTHERWISE NOTE	PROJECTION	SCALE
GENERAL TOLERANCE	QUANTITY	SHEET No.
	1	1 / 1

PROJECT NAME	
TITLE	
DRAWING NO.	
REV.	
YT-1000R-06	0