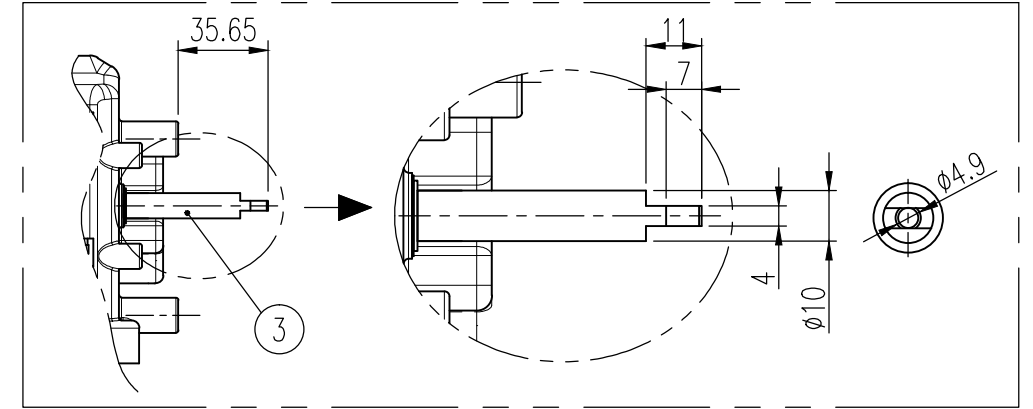


Specification

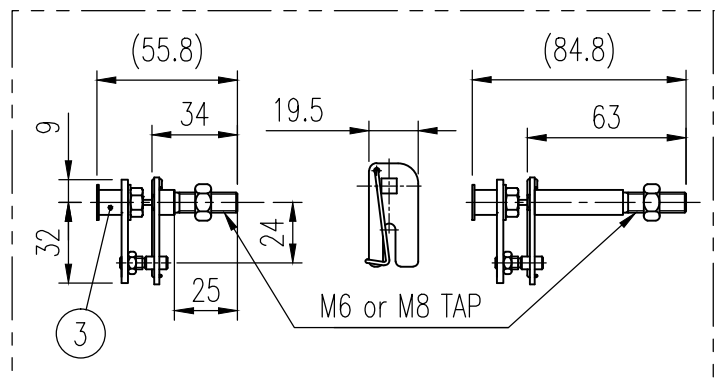
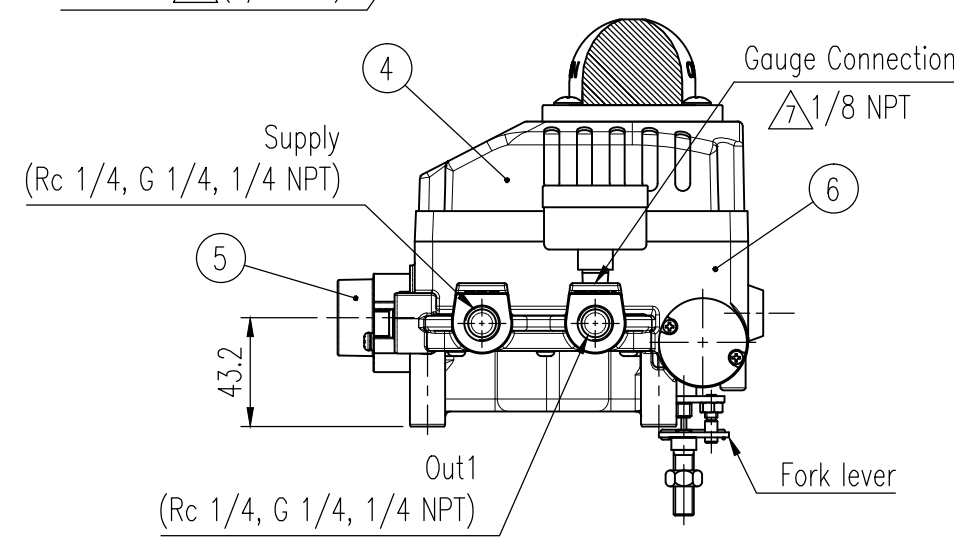
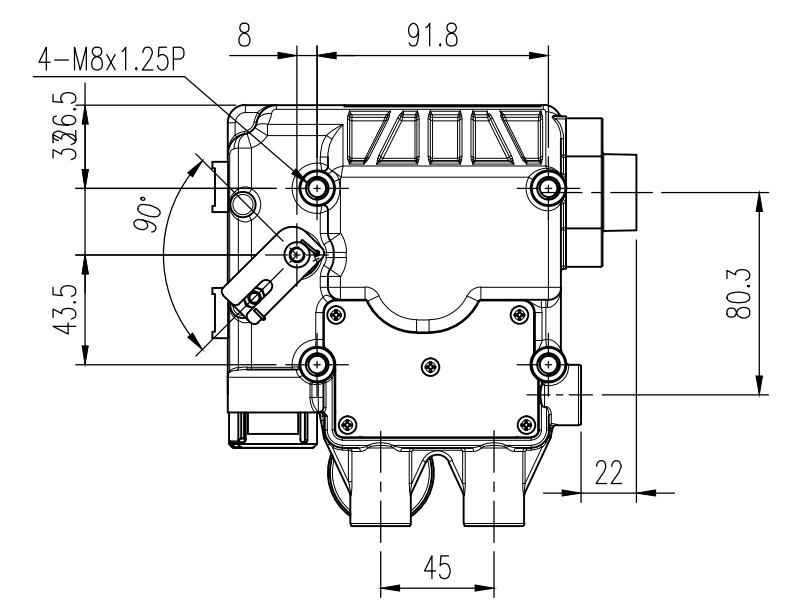
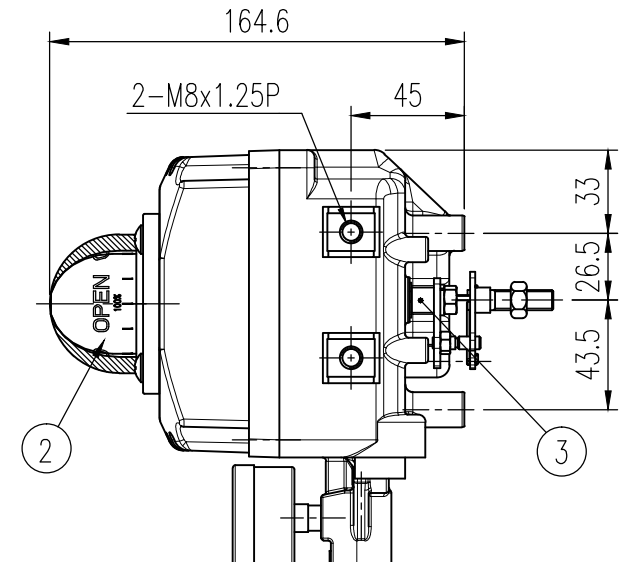
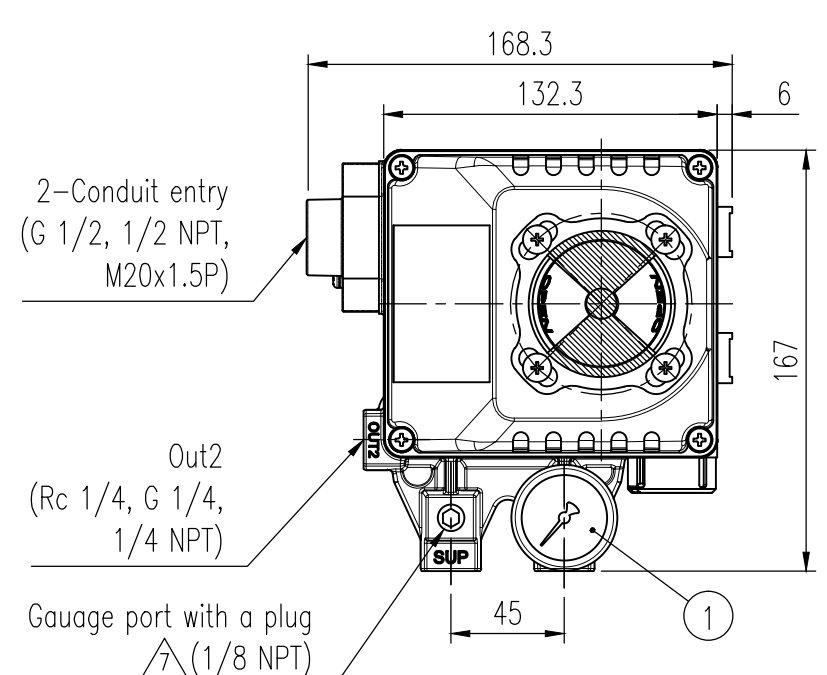
Motion Type	Rotary	
Acting Type	<input type="checkbox"/> Single	<input type="checkbox"/> Double
Input Signal	4-20 mA DC	
Impedance	Max. 250 ± 15Ω	
Supply Pressure	0.14 to 0.7 MPa (1.4 to 7 bar)	
Stroke	55 to 100'	
Conduit-Air Connection	<input type="checkbox"/> G 1/2-Rc 1/4	<input type="checkbox"/> G 1/2-1/4 NPT
	<input type="checkbox"/> G 1/2-G 1/4	<input type="checkbox"/> M20x1.5P-1/4 NPT
	<input type="checkbox"/> 1/2 NPT-1/4 NPT	
Explosion Protection	<input type="checkbox"/> Non-Explosion proof	<input type="checkbox"/> CCC, NEPSI : Ex ia IIC T6 Gb
	<input type="checkbox"/> ATEX, IECEx, KCs : Ex ia IIC T6 Gb	
Orifice Type	<input type="checkbox"/> φ1	<input type="checkbox"/> φ2 <input type="checkbox"/> None
Operating Temp.	Standard	<input type="checkbox"/> -20 to 70 °C (-4 to 158 °F)
	High	<input type="checkbox"/> -20 to 120 °C (-4 to 248 °F)
	Low	<input type="checkbox"/> -40 to 70 °C (-40 to 158 °F)

Ambient Temperature of Explosion Proof	See certificates or product manual	
Linearity	Single	± 1.0 % F.S.
	Double	± 2.0 % F.S.
Hysteresis	± 1.0 % F.S.	
Sensitivity	Single	± 0.2 % F.S.
	Double	± 0.5 % F.S.
Repeatability	± 0.5 % F.S.	
Flow Capacity	> 80 LPM (Sup. = 0.14 MPa, 1.4 bar)	
Air Consumption	< 2.5 LPM (Sup. = 0.14 MPa, 1.4 bar)	
Protection	IP66 (excluding the pressure gauges)	
Weight	2.7 kg (6.1 lb)	
Feedback Connection Type	<input type="checkbox"/> M6x34L	<input type="checkbox"/> M6x63L
	<input type="checkbox"/> M8x34L	<input type="checkbox"/> M8x63L <input type="checkbox"/> NAMUR
Housing Material	Aluminum	
Painting	Polyester Powder Coating	

REV.NO.	REVISION DESCRIPTION	DRAWN / DATE	REVIEWED / DATE	APPROVED / DATE
	Previous versions omitted			
△	Company name changed	KSH/20191022	JCS/20191022	KTJ/20191022
△	Gauge threads integrated ...	KCH/20250116	JCS/20250116	KTJ/20250116



NAMUR SHAFT TYPE



FORK LEVER TYPE

No.	Part name	Material	Q'ty	Remark
1	Pressure gauge	STS304	1	△ 1/8 NPT
2	Indicator dome	Polycarbonate	1	
3	Main shaft	STS303	1	Fork lever or NAMUR
4	Base cover	ALDC12	1	
5	IA Connector	ALDC12	1	
6	Base body	ALDC12	1	

SURFACE TEXTURE		PRODUCT NAME E/P Positioner		PROJECT NAME	
FINISH TREATMENT		MODEL YT-1000R		rotork Rotork YTC Limited GMPQ-SI, KOREA	
MATERIAL		PROJECTION 3rd	SCALE 1 / 3	TITLE Rotary, Dome indicator, IA Connector type	
OTHERWISE NOTE		QUANTITY 1	SHEET No. 1 / 1	DRAWING NO. YT-1000R-05	
GENERAL TOLERANCE				REV. 7	