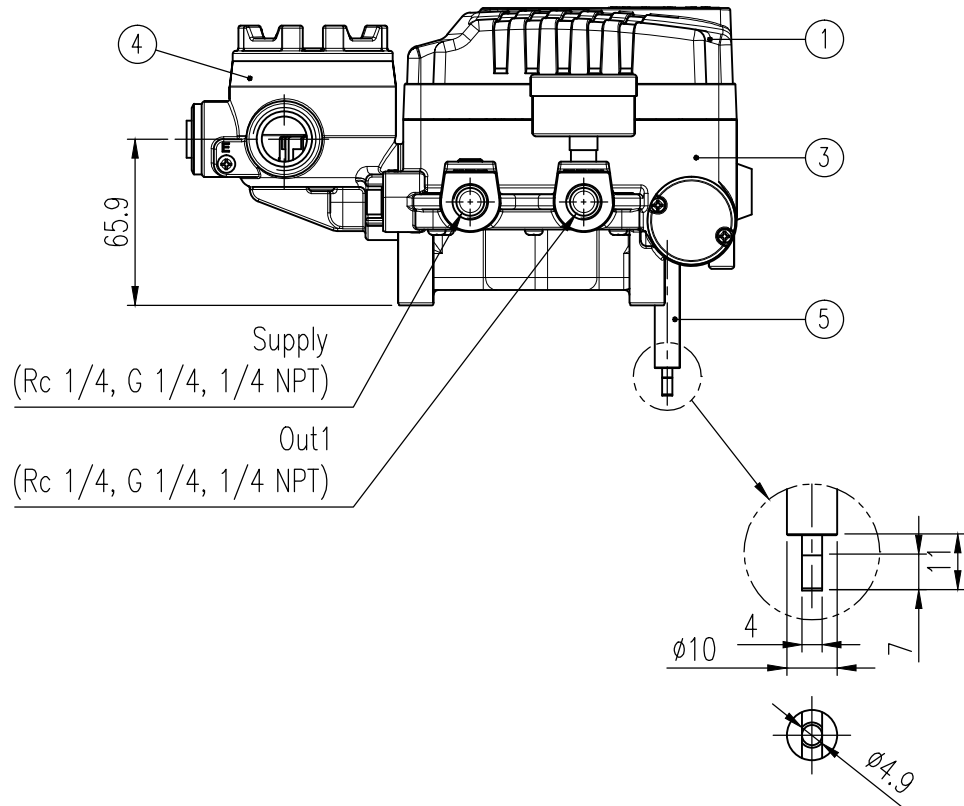
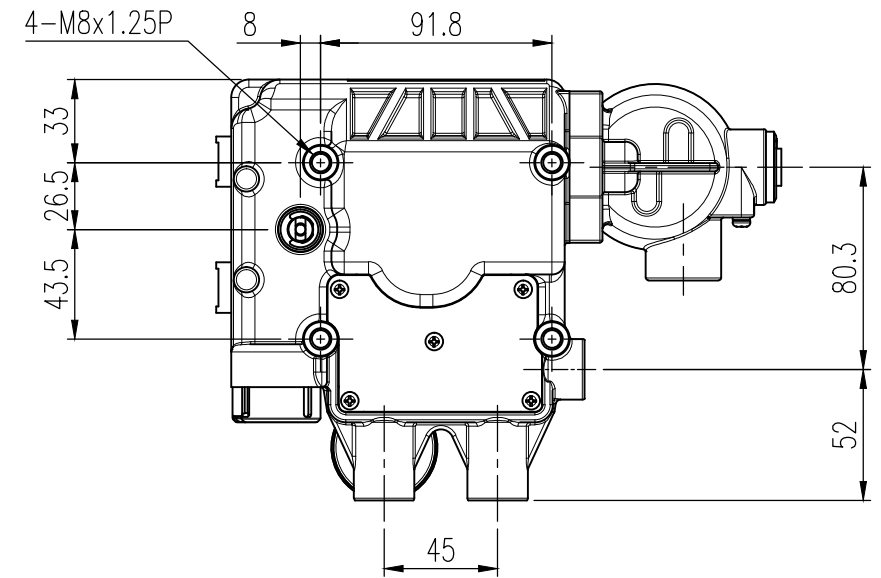
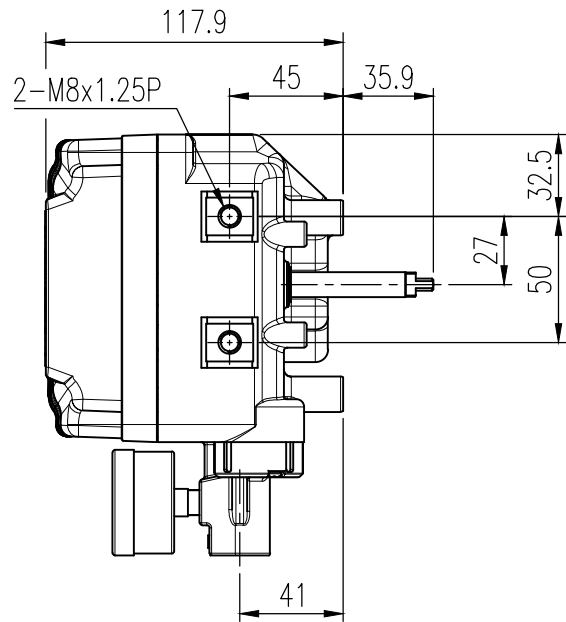
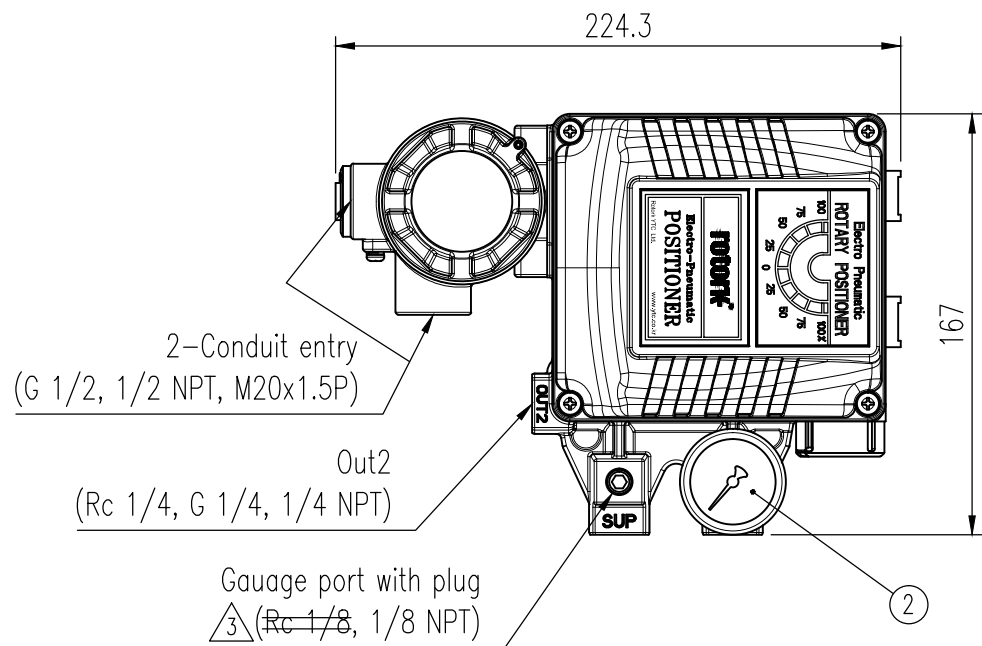


REV.NO.	REVISION DESCRIPTION	DRAWN / DATE	REVIEWED / DATE	APPROVED / DATE
	Previous versions omitted			
△	Company name changed	KSH/20191017	KCH/20191017	KTJ/20191017
△	Gauge threads integrated ...	KCH/20241227	JCS/20241227	KTJ/20241227



Specification

Motion Type	Rotary
Acting Type	<input type="checkbox"/> Single <input type="checkbox"/> Double
Input Signal	4-20 mA DC
Impedance	Max. 250 ± 15 Ω
Supply Pressure	0.14 to 0.7 MPa (1.4 to 7 bar)
Stroke	55 to 100°
Conduit-Air Connection	<input type="checkbox"/> G 1/2(N/A for FM, CSA, CCC)-Rc 1/4 <input type="checkbox"/> G 1/2(N/A for FM, CSA, CCC)-1/4 NPT <input type="checkbox"/> G 1/2(N/A for FM, CSA, CCC)-G 1/4 <input type="checkbox"/> M20x1.5P-1/4 NPT <input type="checkbox"/> 1/2 NPT-1/4 NPT
Explosion Protection	<input type="checkbox"/> ATEX, IECEx, NEPSI, UKEX, PESO : Ex db mb IIB T5 Gb <input type="checkbox"/> KCs : Ex dmb IIB T5/T4 <input type="checkbox"/> INMETRO : Ex db mb IIB T5 Gb <input type="checkbox"/> CSA : Ex d m IIB T5 Gb <input type="checkbox"/> FM : CL I, Div 1, Grps C,D T5 / CL II,III, Div 1, Grps E,F,G T5 <input type="checkbox"/> KCs : Ex dmb IIC T5 <input type="checkbox"/> TIIS : Ex dmb IIB T5 <input type="checkbox"/> CCC, NEPSI : Ex db mb IIB T5 Gb <input type="checkbox"/> CCC, NEPSI : Ex db mb IIC T6 Gb
Orifice Type	<input type="checkbox"/> Ø1 <input type="checkbox"/> Ø2 <input type="checkbox"/> None

Operating Temp.	Standard	<input type="checkbox"/> -20 to 70 °C (-4 to 158 °F)
	High	<input type="checkbox"/> -20 to 120 °C (-4 to 248 °F)
	Low	<input type="checkbox"/> -40 to 70 °C (-40 to 158 °F)
Ambient Temperature of Explosion Proof	See certificates or product manual	
Linearity	Single	± 1.0 % F.S.
	Double	± 2.0 % F.S.
Hysteresis	± 1.0 % F.S.	
Sensitivity	Single	± 0.2 % F.S.
	Double	± 0.5 % F.S.
Repeatability	± 0.5 % F.S.	
Flow Capacity	> 80 LPM (Sup. = 0.14 MPa, 1.4 bar)	
Air Consumption	< 2.5 LPM (Sup. = 0.14 MPa, 1.4 bar)	
Ingress Protection	IP66, Type 4X(FM), (excluding the pressure gauges)	
Weight	2.8 kg (6.2 lb)	
Feedback Connection Type	NAMUR	
Housing Material	Aluminum	
Painting	Polyester Powder Coating	

No.	Part name	Material	Q'ty	Remark
1	Base cover	ALDC12	1	
2	Pressure gauge	STS304	1	△ 3 1/8 NPT
3	Base body	ALDC12	1	
4	Junction box	ALDC12	1	
5	Main shaft	STS303	1	NAMUR type

SURFACE TEXTURE	PRODUCT NAME	E/P POSITIONER		PROJECT NAME
FINISH TREATMENT	MODEL	YT-1000R		
MATERIAL	PROJECTION	SCALE	TITLE	
OTHERWISE NOTE	GENERAL TOLERANCE	QUANTITY	SHEET No.	Rotork YTC Limited
		1	1 / 1	GMP0-SI, KOREA
				Rotary, Junction box, NAMUR type
				DRAWING NO. YT-1000R-04
				REV. 3