

Specification

Motion Type	Rotary	
Acting Type	<input type="checkbox"/> Single	<input type="checkbox"/> Double
Input Signal	4-20 mA DC	
Impedance	Max. 250 ± 15 Ω	
Supply Pressure	0.14 to 0.7 MPa (1.4 to 7 bar)	
Stroke	55 to 100'	
Conduit-Air Connection	<input type="checkbox"/> M20x1.5P-1/4 NPT	<input type="checkbox"/> 1/2 NPT-1/4 NPT
Explosion Protection	CL I, Div 1, Grps C,D T5 / CL II,III, Div 1, Grps E,F,G T5	
Orifice Type	<input type="checkbox"/> φ1	<input type="checkbox"/> φ2 <input type="checkbox"/> None
Operating Temp.	Standard	<input type="checkbox"/> -20 to 70 °C (-4 to 158 °F)
	High	<input type="checkbox"/> -20 to 120 °C (-4 to 248 °F)
	Low	<input type="checkbox"/> -40 to 70 °C (-40 to 158 °F)
Ambient Temperature of Explosion Proof	-20 to 60 °C (-4 to 140 °F)	

Linearity	Single	± 1.0 % F.S.
	Double	± 2.0 % F.S.
Hysteresis		± 1.0 % F.S.
Sensitivity	Single	± 0.2 % F.S.
	Double	± 0.5 % F.S.
Repeatability		± 0.5 % F.S.
Flow Capacity		> 80 LPM (Sup. = 0.14 MPa, 1.4 bar)
Air Consumption		< 2.5 LPM (Sup. = 0.14 MPa, 1.4 bar)
Ingress Protection		Type 4X, (excluding the pressure gauges)
Weight		2.8 kg (6.2 lb)
Feedback Connection Type	<input type="checkbox"/> M6x34L	<input type="checkbox"/> M6x63L
	<input type="checkbox"/> M8x34L	<input type="checkbox"/> M8x63L <input type="checkbox"/> NAMUR
Housing Material		Aluminum
Painting		Polyester Powder Coating

REV.NO.	REVISION DESCRIPTION	DRAWN / DATE	REVIEWED / DATE	APPROVED / DATE
	Previous versions omitted			
△	Company name changed	KSH/20191024	KCH/20191024	KTJ/10191024
△	Specification updated	KCH/20241227	JCS/20241227	KTJ/20241227

No.	Part name	Material	Q'ty	Remark
1	Base cover	ALDC12	1	
2	Pressure gauge	STS304	1	1/8 NPT
3	Base body	ALDC12	1	
4	Junction box	ALDC12	1	
5	Main shaft	STS303	1	Fork lever or NAMUR

rotork E/P POSITIONER www.ytc.co.kr

MODEL: YP-1000 RDF135S00

EXPLOSION PROOF: CL I, Div 1, Grps C,D T5 / CL II,III, Div 1, Grps E,F,G T5

INGRESS PROTECTION: Type 4X

INPUT SIGNAL: 4-20mA DC (External Fuse - 62mA)

AMBIENT TEMP.: -20 to 60°C (-4 to 140°F)

SUPPLY PRESSURE: 0.14 to 0.7 MPa (1.4 to 7 bar)

SERIAL NUMBER: L2410001 / 12.2024

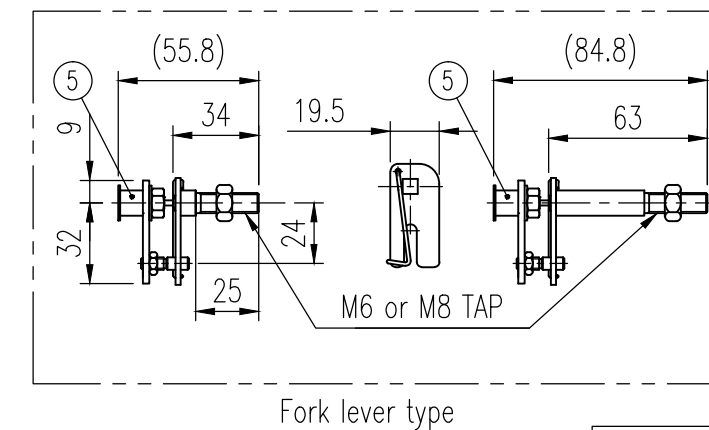
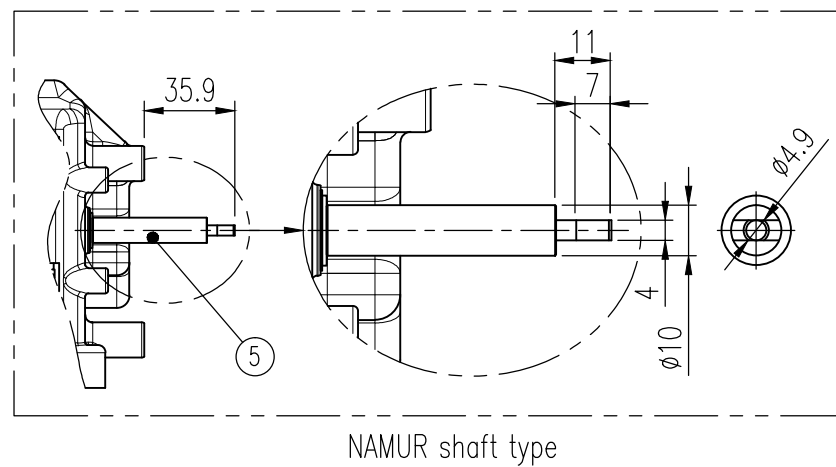
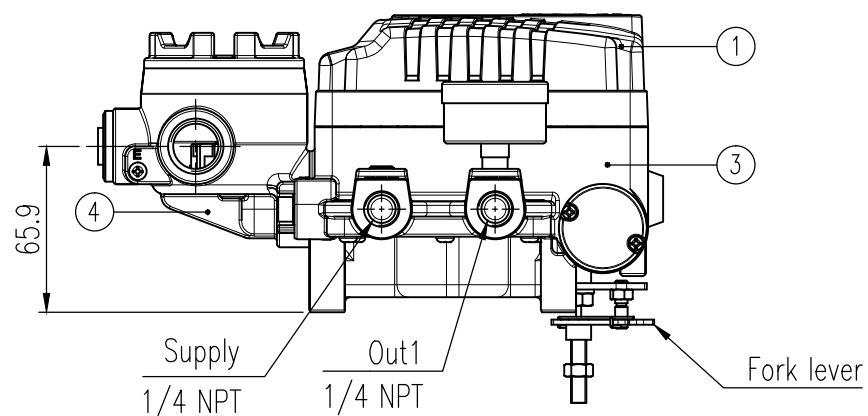
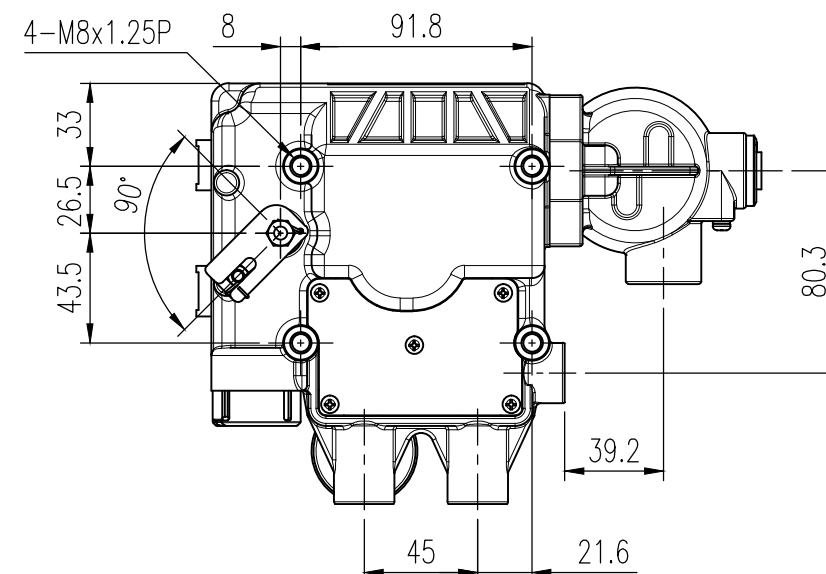
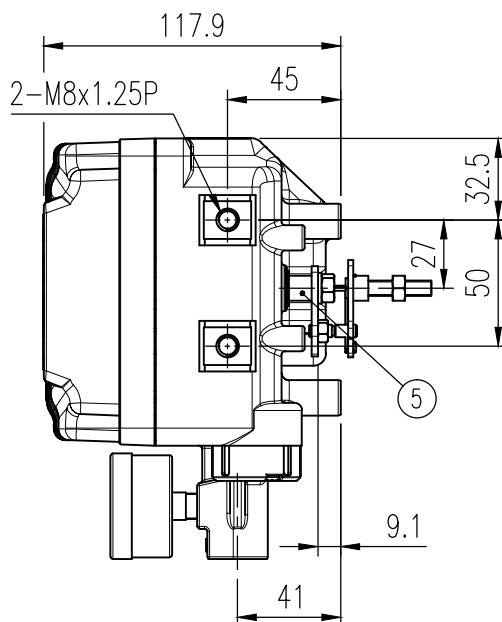
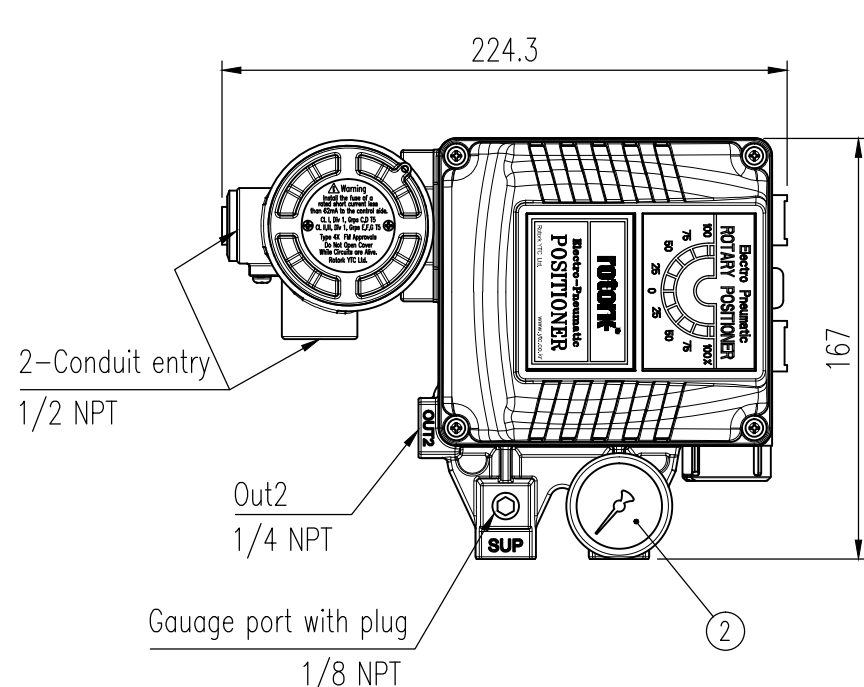
FM APPROVED

Gimpo-si, Korea
Made in Korea

Rotork YTC Ltd.

FM Explosion proof name plate

SCALE 3/1



SURFACE TEXTURE	PRODUCT NAME	rotork Rotork YTC Limited	
FINISH TREATMENT	E/P Positioner	GIMPO-SI, KOREA	
MATERIAL	MODEL	TITLE	
OTHERWISE NOTE	PROJECTION	Rotary, Junction box type (FM)	
GENERAL TOLERANCE	SCALE	DRAWING NO.	
	3rd	△3 YP-1000R-03	
	1 / 3	REV.	
	QUANTITY	3	
	1	SHEET No. 1 / 1	

2019.01.23