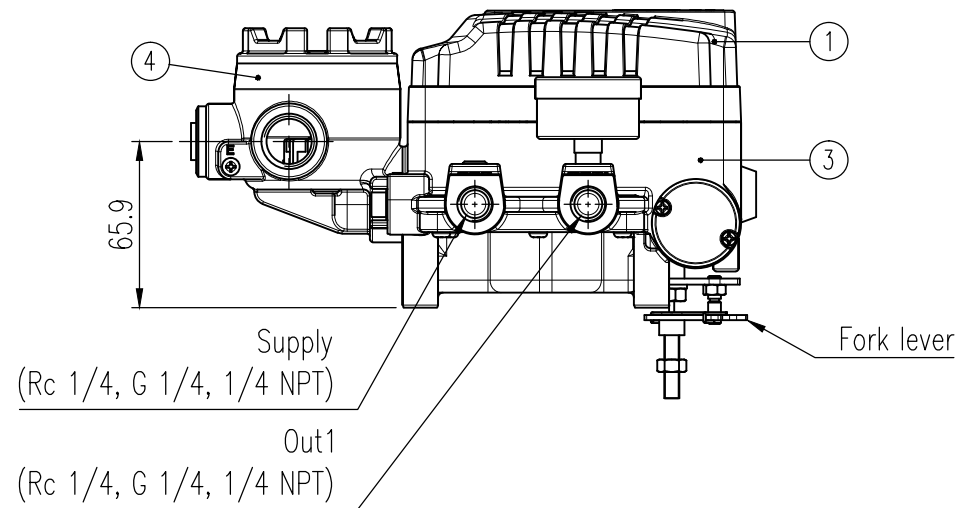
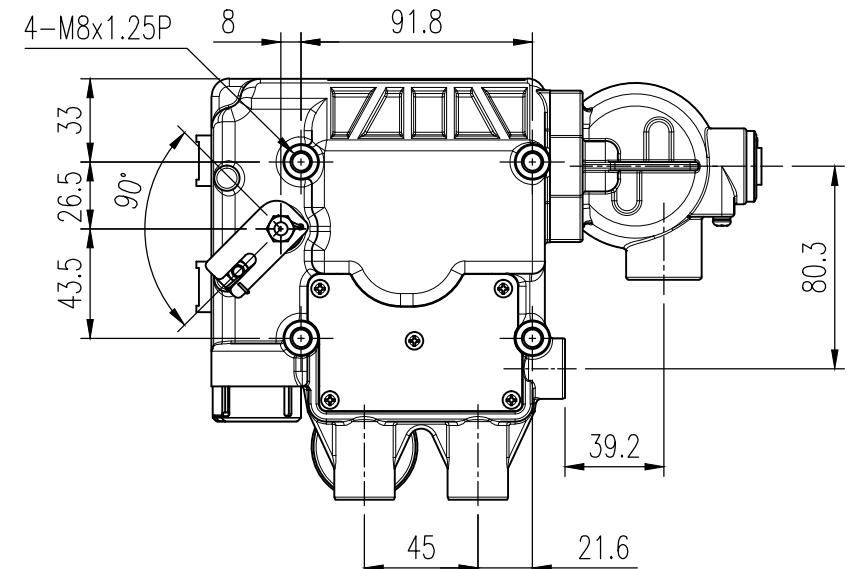
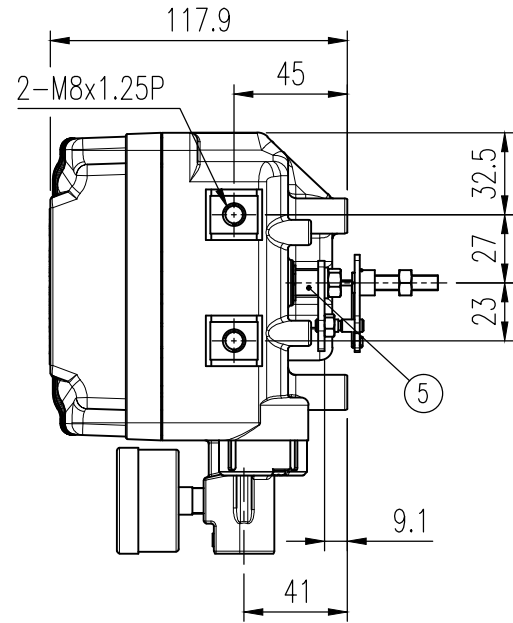
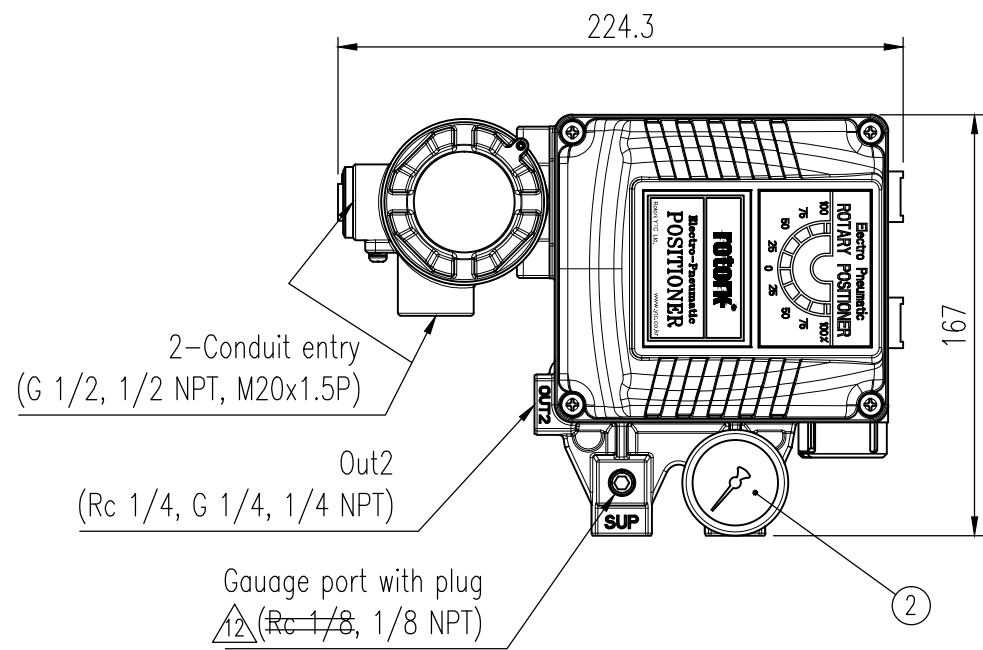


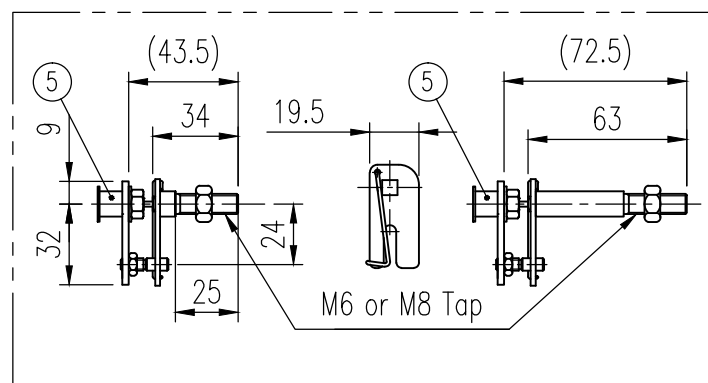
REV.NO.	REVISION DESCRIPTION	DRAWN / DATE	REVIEWED / DATE	APPROVED / DATE
	Previous versions omitted			
⚠	Company name changed	KSH/20191017	KCH/20191017	KTJ/10191017
⚠	Gauge threads integrated ...	KCH/20241227	JCS/20241227	KTJ/20241227



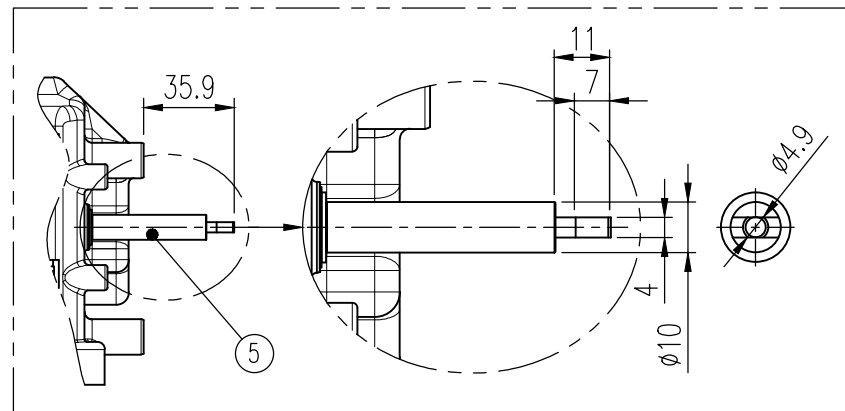
Specification

Motion Type	Rotary
Acting Type	<input type="checkbox"/> Single <input type="checkbox"/> Double
Input Signal	4-20 mA DC
Impedance	Max. 250 ± 15 Ω
Supply Pressure	0.14 to 0.7 MPa (1.4 to 7 bar)
Stroke	55 to 100°
Conduit-Air Connection	<input type="checkbox"/> G 1/2(N/A for FM, CSA, CCC)-Rc 1/4 <input type="checkbox"/> G 1/2(N/A for FM, CSA, CCC)-1/4 NPT <input type="checkbox"/> G 1/2(N/A for FM, CSA, CCC)-G 1/4 <input type="checkbox"/> M20x1.5P-1/4 NPT <input type="checkbox"/> 1/2 NPT-1/4 NPT
Explosion Protection	<input type="checkbox"/> ATEX, IECEx, KCs, NEPSI, UKEX, PESO : Ex db mb IIB T5 Gb <input type="checkbox"/> KCs : Ex dmb IIB T5/T4 <input type="checkbox"/> INMETRO : Ex db mb IIB T5 Gb <input type="checkbox"/> CSA : Ex d m IIB T5 Gb <input type="checkbox"/> FM : CL I, Div 1, Grps C,D T5 / CL II,III, Div 1, Grps E,F,G T5 <input type="checkbox"/> KCs : Ex dmb IIC T5 <input type="checkbox"/> TIIS : Ex dmb IIB T5 <input type="checkbox"/> CCC, NEPSI : Ex db mb IIC T5 Gb <input type="checkbox"/> CCC, NEPSI : Ex db mb IIC T6 Gb
Orifice Type	<input type="checkbox"/> φ1 <input type="checkbox"/> φ2 <input type="checkbox"/> None

Operating Temp.	Standard	<input type="checkbox"/> -20 to 70 °C (-4 to 158 °F)
	High	<input type="checkbox"/> -20 to 120 °C (-4 to 248 °F)
	Low	<input type="checkbox"/> -40 to 70 °C (-40 to 158 °F)
Ambient Temperature of Explosion Proof		See certificates or product manual
Linearity	Single	± 1.0 % F.S.
	Double	± 2.0 % F.S.
Hysteresis		± 1.0 % F.S.
Sensitivity	Single	± 0.2 % F.S.
	Double	± 0.5 % F.S.
Repeatability		± 0.5 % F.S.
Flow Capacity		> 80 LPM (Sup. = 0.14 MPa, 1.4 bar)
Air Consumption		< 2.5 LPM (Sup. = 0.14 MPa, 1.4 bar)
Ingress Protection		IP66, Type 4X(FM), (excluding the pressure gauges)
Weight		2.8 kg (6.2 lb)
Feedback Connection Type	<input type="checkbox"/> M6x34L	<input type="checkbox"/> M6x63L
	<input type="checkbox"/> M8x34L	<input type="checkbox"/> M8x63L
Housing Material		Aluminum
Painting		Polyester Powder Coating



Fork lever type



NAMUR shaft type

No.	Part name	Material	Q'ty	Remark
1	Base cover	ALDC12	1	
2	Pressure gauge	STS304	1	⚠ 1/8 NPT
3	Base body	ALDC12	1	
4	Junction box	ALDC12	1	
5	Main shaft	STS303	1	Fork lever or NAMUR

SURFACE TEXTURE	PRODUCT NAME	E/P Positioner	
FINISH TREATMENT	MODEL	YT-1000R	
MATERIAL	PROJECTION	SCALE	1 / 3
OTHERWISE NOTE	GENERAL TOLERANCE	QUANTITY	SHEET No. 1 / 1
		1	

PROJECT NAME		-	
rotork Rotork YTC Limited		GMP0-SI, KOREA	
TITLE		Rotary, Junction box type	
DRAWING NO.		⚠ YT-1000R-02	
REV.		12	