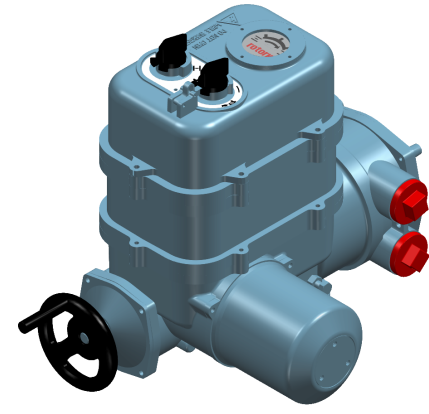


3D VIEW (1:5)



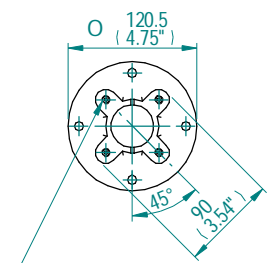
NOTES:
 1. * COVER REMOVABLE ALLOWANCE
 2. APPROXIMATE WEIGHT IS 14 Kg

CONDUIT ENTRIES: (NTS)

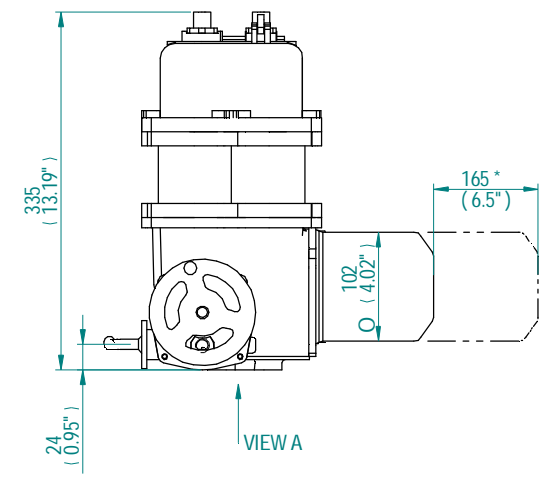
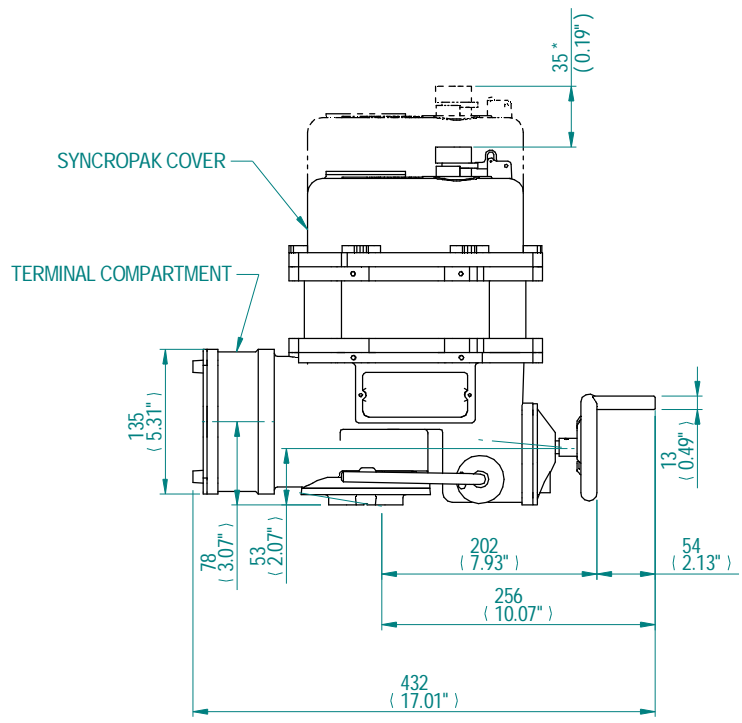


STANDARD : 2 X M32
 ALTERNATIV IF SPECIFIED: 2 X 1 1/4" NPT

VIEW A DETAILS: (NTS)



ISO F05 FLANGE
 4 HOLES M6X10 DEEP
 ON 50 PCD
 OR
 ISO F07 FLANGE
 4 HOLES M8X12 DEEP
 ON 70PCD



VIEW A

		© 2020 Rotork Group of Companies. All rights reserved. This document and its contents may not be reproduced, distributed, transmitted, displayed, published, or broadcast, in whole, or in part, without the prior express written permission of Rotork Group of Companies.				Dimensions in mm Scale: 1:5		Title: Q100 3 PHASE F05 / F07	
		Created	DAB	2020-01-01	Drawing Number BR/MISC - 10645		Rev	0	
Checked	DAB	2020-06-17			Approved	DAB	2020-06-17	Nominal Mass -	Size A3 Sheet 1 of 1

Template Issue : 2020-06-12 GK

0				20-06-17	FIRST ISSUE	
Rev	ECN	Revised	Rev. Approved	Date	Change Description	
1						