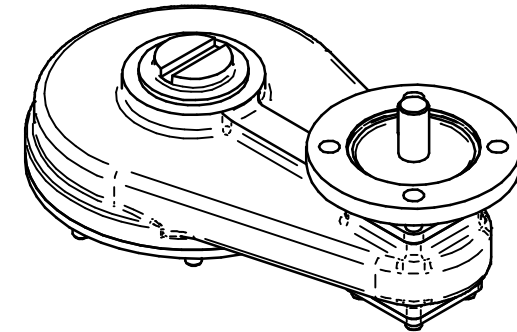


RATIO	M.A.	C.O.G.			MAX OUTPUT TORQUE Nm (lbs.ft)
		X	Y	Z	
2	1.800	0	114	71	1355 (1000)
3	2.700	0	110	71	1355 (1000)
4	3.600	0	109	71	1355 (1000)
6	5.400	0	108	71	1355 (1000)
8	7.200	0	104	71	1355 (1000)

MAX BORE SQ KEY			MAX BORE RECTANGULAR KEY			MAX STEM SCREW ACCEPTANCE DIA
STD	BORE	KEY	STD	BORE	KEY	
BS4235	-	-	BS4235	52.0	16 X 10	55(2.125")
BS46	1.875	1/2" SQ	BS46	2.000	1/2" X 5/16"	
ANSI B17.1	1.875	1/2" SQ	ANSI B17.1	2.000	1/2" X 3/8"	

	INPUT FLANGE DETAILS					
	FLANGE	SHAFT	RECESS	RECESS	HOLE DETAILS	KEY
	O/DIA. & THICKNESS	DIA.	DIA.	DEPTH	45°(OFF CENTRES)	DETAILS
ISO F16	Ø210 x 20	Ø30.00-0.05	Ø130.05+0.05	5	4 HOLES Ø20.5 (Ø0.81")	8x7x40
	(Ø8.27" x 0.79")	(Ø1.181"-0.002")	(Ø5.120"+0.002")	(0.20")	ON Ø165.0 (Ø6.50") P.C	(0.31"x0.28"x1.57")
FA16	Ø210 x 20	Ø30.00-0.05	Ø126.92+0.05	5	4 HOLES Ø20.5 (Ø0.81")	8x7x40
	(Ø8.27" x 0.79")	(Ø1.181"-0.002")	(Ø4.997"+0.002")	(0.20")	ON Ø165.0 (Ø6.50") P.C	(0.31"x0.28"x1.57")

	BASEPLATE DETAILS	
	SPIGOT DIA.	HOLE DETAILS (45° OFF CENTRES)
ISO F14	Ø99.95-0.05	4 HOLES M16x20 (0.79") DEEP (Ø3.935"-0.002")
		ON Ø140.0 (Ø5.51") P.C.
FA14	Ø95.22-0.10	4 HOLES 5/8"UNCx20 (0.79") DEEP (Ø3.749"-0.004")
		ON Ø139.7 (Ø5.50") P.C.



**rotork
gears**

IS6 GEARBOX
F16/FA16 INPUT F14/FA14 OUTPUT

DETAILS SUBJECT TO CHANGE WITHOUT PRIOR NOTICE

FOR UP TO DATE DETAILS VISIT www.rotork.com

APPROX WEIGHT 47.4 kg

DRAWING No	PUBIS6-F16-F14	Regina House Ring Road Bramley Leeds LS134ET United Kingdom
ISSUE	A	
DATE	27/05/2011	