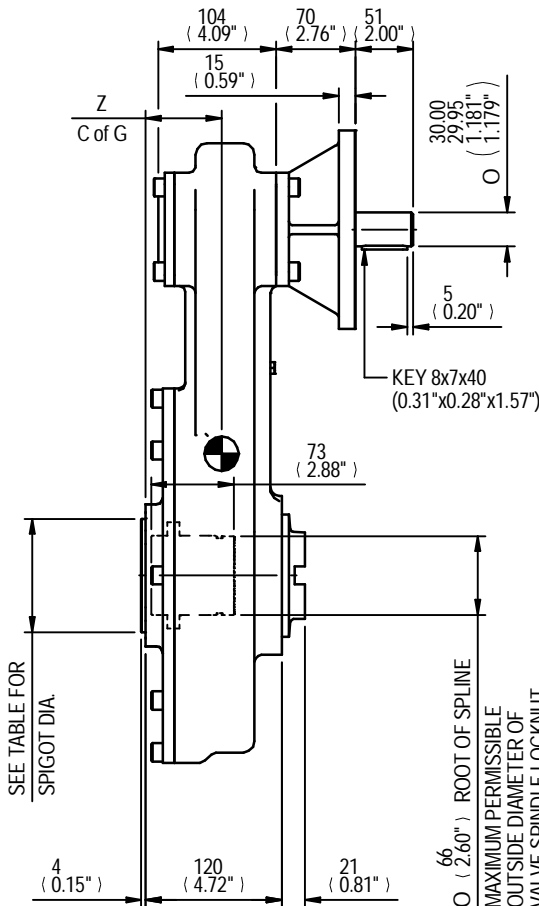


SEE TABLE FOR BORE & KEY DETAILS

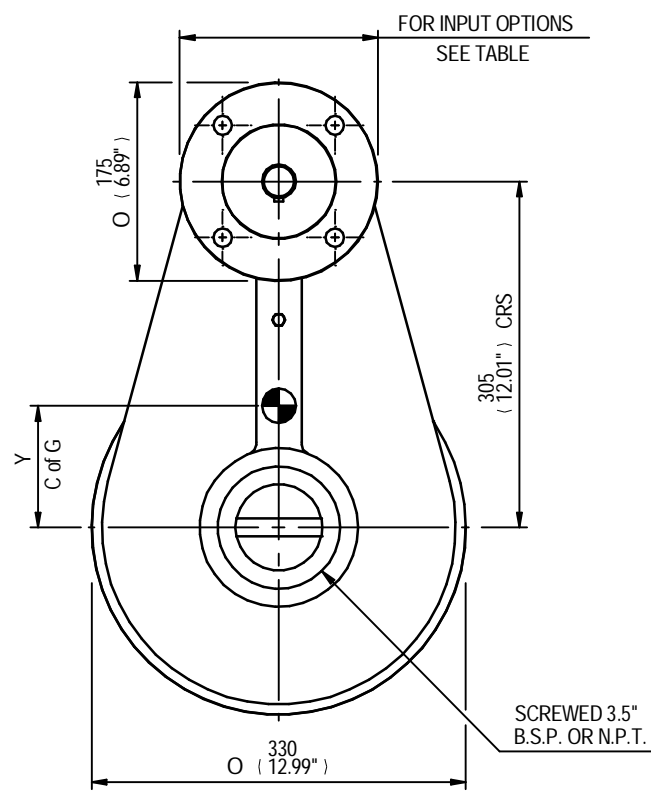
SEE TABLE FOR BASEPLATE DETAILS

MOUNTING HOLES CAN BE POSITIONED ON CTRS BY REMOVING 8 BOLTS INDICATED AND REPOSITIONING



SEE TABLE FOR SPIGOT DIA.

66 (2.60) ROOT OF SPLINE
MAXIMUM PERMISSIBLE OUTSIDE DIAMETER OF VALVE SPINDLE LOCKNUT



FOR INPUT OPTIONS SEE TABLE

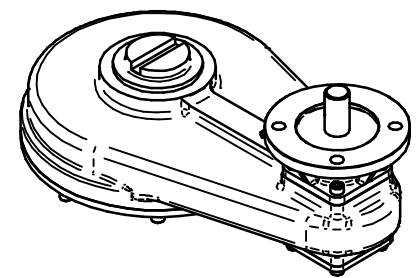
SCREWED 3.5" B.S.P. OR N.P.T.

RATIO	M.A.	C.O.G.			MAX OUTPUT TORQUE Nm (lbs.ft)
		X	Y	Z	
2	1.800	0	107	67	1355 (1000)
3	2.700	0	102	67	1355 (1000)
4	3.600	0	101	67	1355 (1000)
6	5.400	0	100	67	1355 (1000)
8	7.200	0	96	67	1355 (1000)

MAX BORE SQ KEY			MAX BORE RECTANGULAR KEY			MAX STEM SCREW ACCEPTANCE DIA
STD	BORE	KEY	STD	BORE	KEY	
BS4235	-	-	BS4235	52.0	16 x 10	55 (2.125)
BS46	1.875	1/2" SQ	BS46	2.000	1/2" x 5/16"	
ANSI B17.1	1.875	1/2" SQ	ANSI B17.1	2.000	1/2" x 3/8"	

	INPUT FLANGE DETAILS				
	FLANGE O/DIA. & THICKNESS	SHAFT DIA.	RECESS DIA.	RECESS DEPTH	HOLE DETAILS 45°(OFF CENTRES)
	ISO F14	Ø175 x 15 (Ø6.89" x 0.59")	Ø30.00-0.05 (Ø1.181"-0.002")	Ø100.05+0.05 (Ø3.939"+0.002")	5 (0.20")
FA14	Ø175 x 15 (Ø6.89" x 0.59")	Ø30.00-0.05 (Ø1.181"-0.002")	Ø95.27+0.05 (Ø3.751"+0.002")	5 (0.20")	4 HOLES Ø16.5 (Ø0.65") ON Ø140.0 (Ø5.51") P.C. (0.31"x0.28"x1.57")

	BASEPLATE DETAILS	
	SPIGOT DIA.	HOLE DETAILS (45° OFF CENTRES)
	ISO F14	Ø99.95-0.05 (Ø3.935"-0.002")
FA14	Ø95.22-0.10 (Ø3.749"-0.004")	4 HOLES 5/8"UNCx20 (0.79") DEEP ON Ø139.7 (Ø5.50") P.C.



IS6 GEARBOX F14/FA14 INPUT F14/FA14 OUTPUT

DETAILS SUBJECT TO CHANGE WITHOUT PRIOR NOTICE

FOR UP TO DATE DETAILS VISIT www.rotork.com

APPROX WEIGHT 46.0 kg

DRAWING No	PUBIS6-F14-F14	Regina House Ring Road Bramley Leeds LS134ET United Kingdom
ISSUE	A	
DATE	26/05/2011	