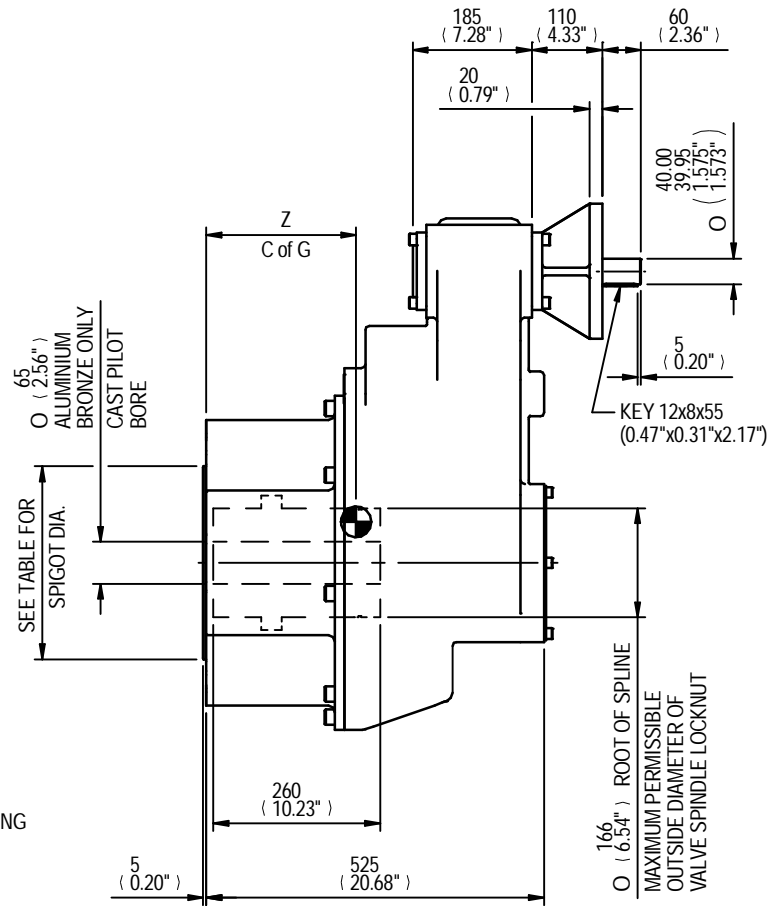


SEE TABLE FOR BORE & KEY DETAILS

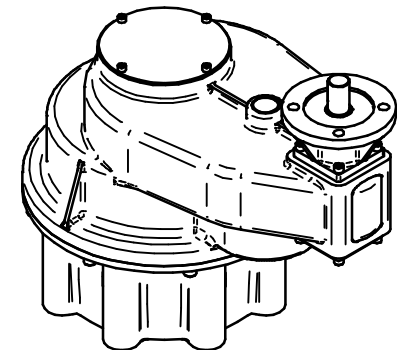
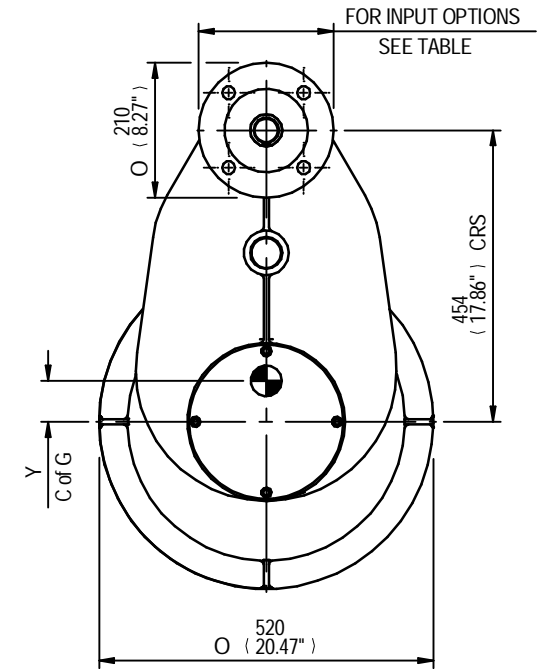
SEE TABLE FOR BASEPLATE DETAILS

MOUNTING HOLES CAN BE POSITIONED ON CTRS BY REMOVING 8 BOLTS INDICATED AND REPOSITIONING



SEE TABLE FOR SPIGOT DIA.

166 (6.54") ROOT OF SPLINE
MAXIMUM PERMISSIBLE OUTSIDE DIAMETER OF VALVE SPINDLE LOCKNUT



RATIO	M.A.	C.O.G.			MAX OUTPUT TORQUE Nm (lbs.ft)
		X	Y	Z	
10	8.870	0	64	233	16270 (12000)
12	10.800	0	65	234	16270 (12000)
15	13.500	0	67	241	16270 (12000)

MAX BORE SQ KEY			MAX BORE RECTANGULAR KEY		
STD	BORE	KEY	STD	BORE	KEY
BS4235	-	-	BS4235	130.0	32 x 18
BS46	4.625"	1 1/4" SQ	BS46	5.000"	1 1/4" x 7/8"
ANSI B17.1	4.625"	1 1/4" SQ	ANSI B17.1	5.000"	1 1/4" x 7/8"

MAX STEM SCREW ACCEPTANCE DIA
150 (5.875")

	INPUT FLANGE DETAILS				
	FLANGE O/DIA. & THICKNESS	SHAFT DIA.	RECESS DIA.	RECESS DEPTH	HOLE DETAILS 45°(OFF CENTRES)
ISO F16	Ø210 x 20 (Ø8.27" x 0.79")	Ø40.00-0.05 (Ø1.575"-0.002")	Ø130.05+0.05 (Ø5.120"+0.002")	5 (0.20")	4 HOLES Ø20.5 (Ø0.81") ON Ø165.0 (Ø6.50") P.C. (0.47"x0.31"x2.17")
	Ø210 x 20 (Ø8.27" x 0.79")	Ø40.00-0.05 (Ø1.575"-0.002")	Ø126.92+0.05 (Ø4.997"+0.002")	5 (0.20")	4 HOLES Ø20.5 (Ø0.81") ON Ø165.0 (Ø6.50") P.C. (0.47"x0.31"x2.17")

	BASEPLATE DETAILS	
	SPIGOT DIA.	HOLE DETAILS (22.5° OFF CENTRES)
ISO F40	Ø299.95-0.05 (Ø11.809"-0.002")	8 HOLES M36x45 (1.77") DEEP ON Ø406.0 (Ø15.98") P.C.
FA40	Ø228.60-0.15 (Ø9.000"-0.006")	8 HOLES 1.25"UNCx45 (1.77") DEEP ON Ø406.4 (Ø16.00") P.C.



IS16 GEARBOX F16/FA16 INPUT F40/FA40 OUTPUT

DETAILS SUBJECT TO CHANGE WITHOUT PRIOR NOTICE

FOR UP TO DATE DETAILS VISIT www.rotork.com

APPROX WEIGHT 387.6 kg

DRAWING No	PUBIS16-F16-F40	Regina House Ring Road Bramley Leeds LS134ET United Kingdom
ISSUE	A	
DATE	14/06/2011	