

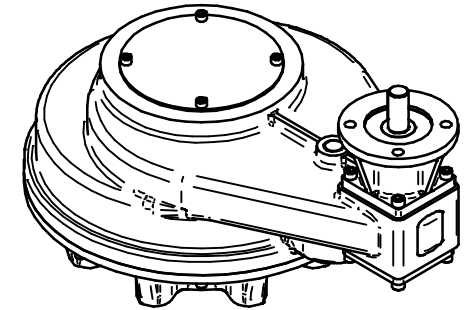
RATIO	M.A.	C.O.G.			MAX OUTPUT TORQUE Nm (lbs.ft)
		X	Y	Z	
8	7.280	0	57	139	8135 (6000)
10	8.993	0	59	139	8135 (6000)
12	10.649	0	59	139	8135 (6000)
15	13.632	0	60	139	8135 (6000)

MAX BORE SQ KEY			MAX BORE RECTANGULAR KEY		
STD	BORE	KEY	STD	BORE	KEY
BS4235	-	-	BS4235	121.0	32 x 18
BS46	4.500"	1 1/4" SQ	BS46	4.625"	1 1/4" x 7/8"
ANSI B17.1	4.500"	1" SQ	ANSI B17.1	4.625"	1 1/4" x 7/8"

MAX STEM SCREW ACCEPTANCE DIA
127 (5.000")

INPUT FLANGE DETAILS					
O/DIA. & THICKNESS	SHAFT DIA.	RECESS		HOLE DETAILS	
		DIA.	DEPTH	45°(OFF CENTRES)	DETAILS
ISO F14 Ø175 x 15 (Ø6.89" x 0.59")	Ø30.00-0.05 (Ø1.181"-0.002")	Ø100.05+0.05 (Ø3.939"+0.002")	5 (0.20")	4 HOLES Ø16.5 (Ø0.65") ON Ø140.0 (Ø5.51") P.C.	8x7x55
					(0.31"x0.28"x2.17")
FA14 Ø175 x 15 (Ø6.89" x 0.59")	Ø30.00-0.05 (Ø1.181"-0.002")	Ø95.27+0.05 (Ø3.751"+0.002")	5 (0.20")	4 HOLES Ø16.5 (Ø0.65") ON Ø140.0 (Ø5.51") P.C.	8x7x55
					(0.31"x0.28"x2.17")

BASEPLATE DETAILS		
ISO F35	SPIGOT DIA.	HOLE DETAILS (22.5° OFF CENTRES)
FA35	Ø259.95-0.05 (Ø10.234"-0.002")	8 HOLES M30x40 (1.57") DEEP
		ON Ø356.0 (Ø14.02") P.C.
FA35	Ø215.80-0.25 (Ø8.496"-0.008")	8 HOLES 1"UNCx40 (1.57") DEEP
		ON Ø355.6 (Ø14.00") P.C.



IS13 GEARBOX
F14/FA14 INPUT F35/FA35 OUTPUT

DETAILS SUBJECT TO CHANGE WITHOUT PRIOR NOTICE

FOR UP TO DATE DETAILS VISIT www.rotork.com

APPROX WEIGHT 205.7 kg

DRAWING No	PUBIS13-F14-F35	Regina House Ring Road Bramley Leeds LS134ET United Kingdom
ISSUE	A	
DATE	08/06/2011	