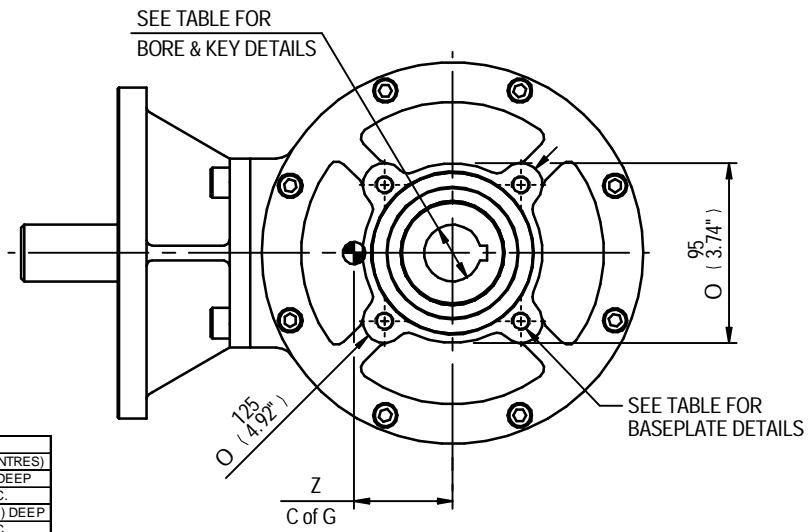
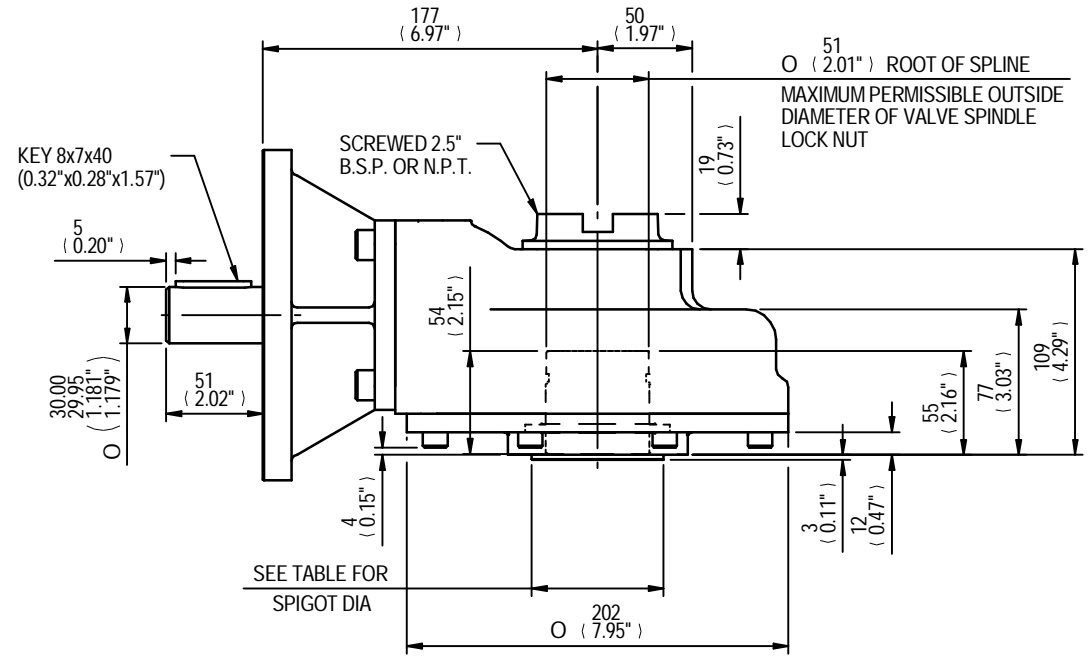
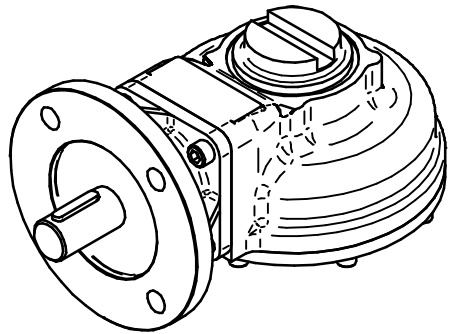


MOUNTING HOLES CAN BE POSITIONED ON CTRS BY REMOVING 8 BOLTS INDICATED AND REPOSITIONING



RATIO	M.A.	C.O.G.			MAX OUTPUT TORQUE Nm (lbs.ft)
		X	Y	Z	
2	1.70	0	16	52	306 (225)
3	2.55	0	18	49	678 (500)
4	3.40	0	17	49	678 (500)
6	5.10	0	17	48	542 (400)

MAX BORE SQ KEY			MAX BORE RECTANGULAR KEY		
STD	BORE	KEY	STD	BORE	KEY
BS4235	-	-	BS4235	40.0	12 x 8
BS46	1.500" 3/8" SQ	-	BS46	1.625" 7/16" x 5/16"	-
ANSI B17.1	1.500" 3/8" SQ	-	ANSI B17.1	1.625" 3/8" x 1/4"	-

MAX STEM SCREW ACCEPTANCE DIA
45 (1.75")

	INPUT FLANGE DETAILS				
	FLANGE O/DIA. & THICKNESS	SHAFT DIA.	RECESS DIA.	RECESS DEPTH	HOLE DETAILS 45°(OFF CENTRES)
	ISO F14	Ø175 x 15 (Ø6.89" x 0.59")	Ø30.00-0.05 (Ø1.181"-0.002")	Ø100.05+0.05 (Ø3.939"+0.002")	5 (0.20")
FA14	Ø175 x 15 (Ø6.89" x 0.59")	Ø30.00-0.05 (Ø1.181"-0.002")	Ø95.27+0.05 (Ø3.751"+0.002")	5 (0.20")	4 HOLES Ø16.5 (Ø0.65") ON Ø140.0 (Ø5.51") P.C. (0.31"x0.28"x1.57")

	BASEPLATE DETAILS	
	SPIGOT DIA.	HOLE DETAILS (45° OFF CENTRES)
	ISO F10	Ø69.95-0.05 (Ø2.754"-0.002")
FA10	Ø58.70-0.05 (Ø2.311"-0.002")	4 HOLES 3/8"UNC x 15 (0.59") DEEP ON Ø101.6 (Ø4.00") P.C.



IB4 GEARBOX
F14/FA14 INPUT F10/FA10 OUTPUT

DETAILS SUBJECT TO CHANGE WITHOUT PRIOR NOTICE

FOR UP TO DATE DETAILS VISIT www.rotork.com

APPROX WEIGHT 16.3 kg

DRAWING No	PUBIB4-F14-F10	Regina House Ring Road Bramley Leeds LS134ET United Kingdom
ISSUE	A	
DATE	27/04/2011	