



Keeping the World Flowing
for Future Generations

The Local Hand Station provides a fully enclosed control panel, optimised to control actuators and field devices in hazardous or inaccessible locations. Safe local operation of these devices is critical to reliable operation and maintenance of the site.

The Local Hand Station provides a simple control panel interface between the actuator or field device and the DCS. It offers a complete local override of DCS control signals to ensure localised maintenance activities can be performed safely without unexpected operation occurring.

Rotork recognise the importance of reliable local controls. The ability to control the connected actuator during a maintenance activity or emergency is critical to site safety. For this reason, rotary selector switches are used as they provide increased resistance to sticking or jamming compared to push button solutions. The local/stop/remote selector can be locked in position using a padlock to prevent unauthorised access.

Power for the Local Hand Station can be supplied directly from the connected actuator so there is no need for supplementary power supplies on site.

- › Compact and robust design
- › Simple and reliable control selectors
- › Suitable for mounting on a pole or wall
- › Local/Stop/Remote selector is lockable in any position
- › Emergency Shutdown button
- › Installation using standard electrical cable

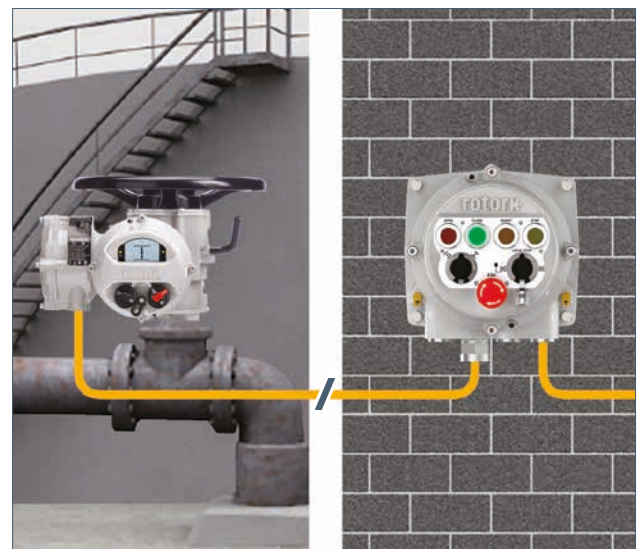


Local Hand Station

Actuator control panel
for hazardous areas

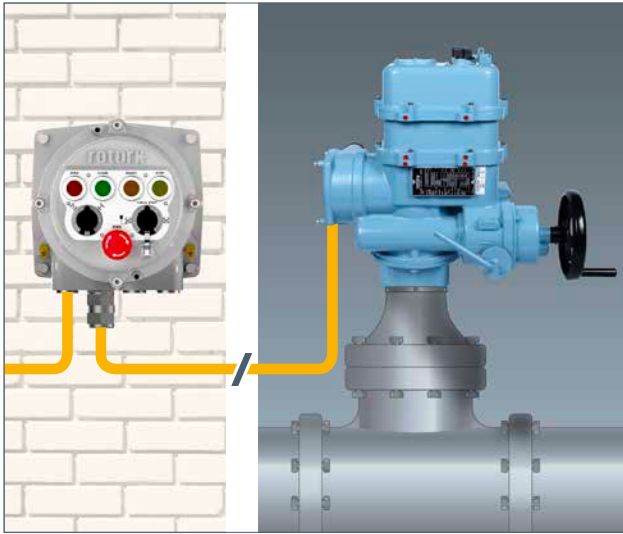
Specification

Hazardous Area Approval	ATEX (2014/34/EU) II 2 G Ex db IIC T6 Gb IECEX (IEC 60079-0, IEC 60079-1) Ex db IIC T6 Gb
Environmental Protection	IP68
Temperature Range	-20 to +70 °C (-4 to +158 °F)
Power Supply	Actuator derived 24 VDC / 120 VAC
Conduit Entries	4 x M25
Coating	Polyester powder coating
Weight	6 kg

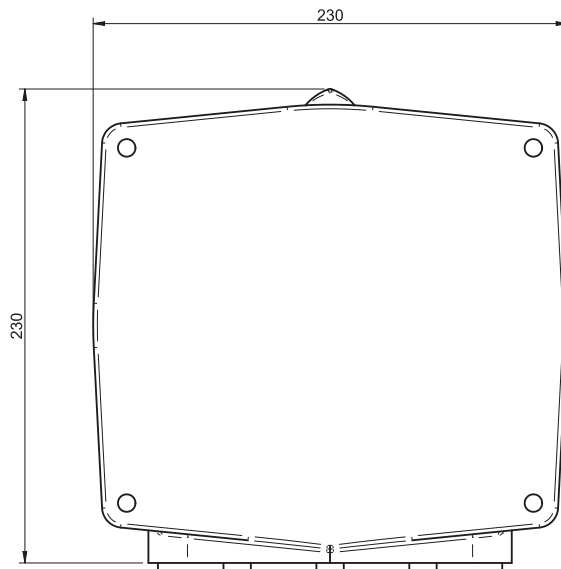
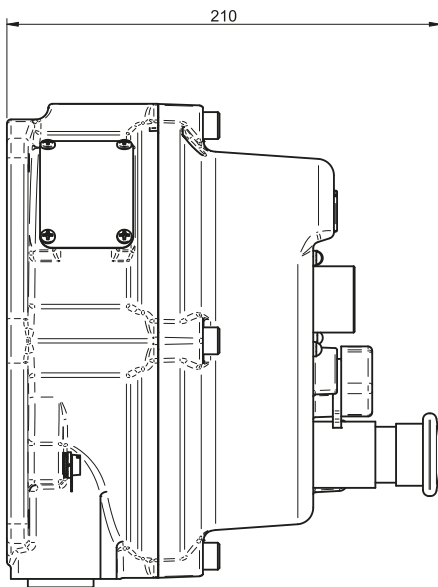
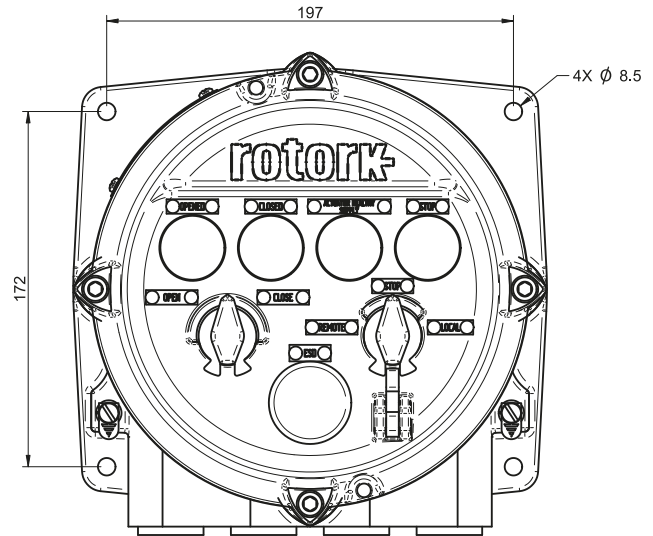


Local Hand Station

Actuator control panel
for hazardous areas



The Local Hand Station can be used in hazardous and non-hazardous areas.



A full listing of the Rotork sales and service network is available on our website.

www.rotork.com

Corporate Headquarters
Rotork plc

tel +44 (0)1225 733200
email mail@rotork.com

rotork®

Electric Actuators and Control Systems
Fluid Power Actuators and Control Systems
Gearboxes and Gear Operators
Precision Control and Indication
Projects, Services and Retrofit