

# RCEL005/005L RCEL009C/009CL

## Electric Actuators

## Technical Data



RCEL005L/009CL

RCEL005/009C

### Standard Specifications

<b>Enclosure:</b>	IP67 Nema 4 and 6
<b>Ambient Temp:</b>	-20°C to +70°C
<b>Power Supply:</b>	110/230VAC, 1Phase ± 10% 24VDC (24VAC). 50Hz/60Hz
<b>Limit Switches:</b>	2+2 pcs, Open/Close
<b>Stall Protection:</b>	Built-in Thermal Protection Cut-off at 120°C
<b>Travel Angle:</b>	90° ± 5°
<b>Indicator:</b>	Continuous Position Indicator Illuminated at fully open or fully closed position
<b>Manual Override:</b>	Allen key (6mm)
<b>Worm Gear:</b>	Permanently lubricated and selflocking
<b>Space Heater:</b>	5W (110/230VAC & 24VDC) Anti-condensation
<b>Conduit Entries:</b>	M20 x 1,5
<b>Lubrication:</b>	Grease Moly (EP-type)
<b>Materials:</b>	Steel, Aluminium Alloy, Aluminium Broze
<b>External Coating:</b>	Anodized and Dry Powder Polyester

### Optional Items

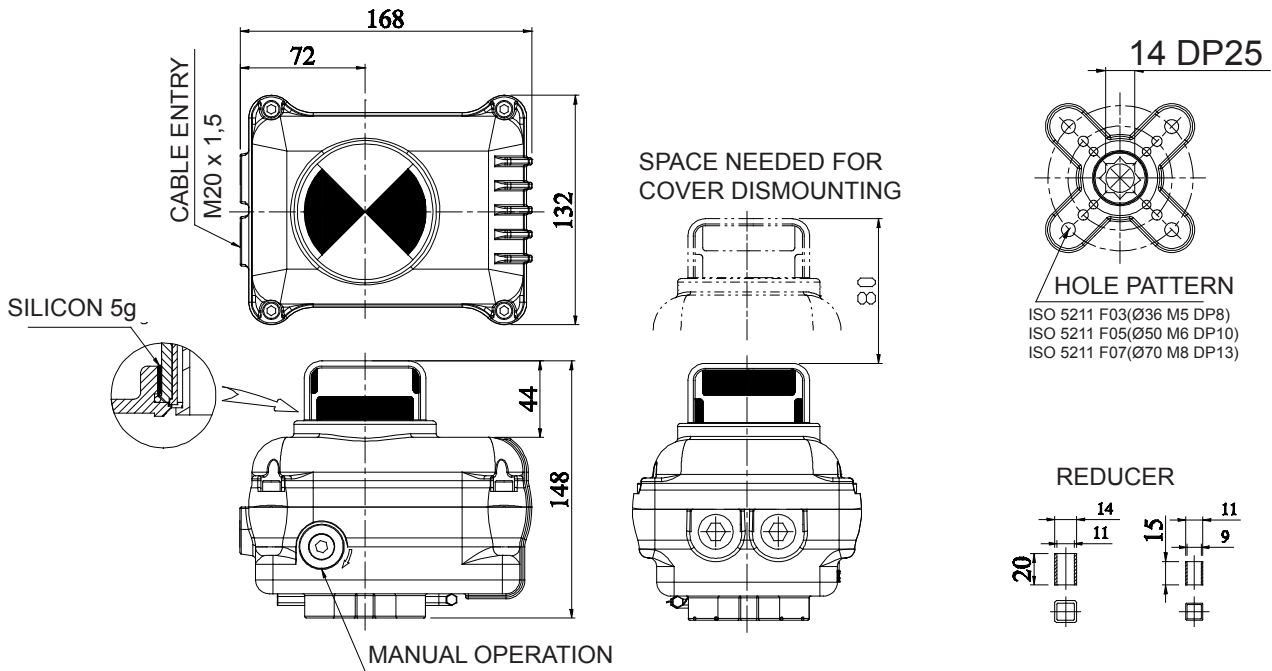
<b>PIU</b>	Potentiometer Unit 1k Ohm
<b>CPT</b>	Current Position Transmitter Output Signal: 4-20mA DC
<b>PCU</b>	Proportional Control Unit Input Signal: 4-20mA, 2-10V DC Output Signal: 4-20mA DC



### Performance

Type	Max Torque Nm	Op. Time sek 90° 50Hz/60Hz	Square Drive	Weight kg	No. of handle turns	Current draw max. A 1-ph 24VAC	Current draw max. A 24VDC	Current draw max. A 1-fas 110V	Current draw max. A 1-fas 230V
RCEL005	50	17/14	14	2.8	6	1.8	1.8	0.35	0.23
RCEL005L	50	17/14	14	3.2	6	1.8	1.8	0.35	0.23
RCEL009C	90	36/30	14	2.8	6	1.8	1.8	0.19	0.19
RCEL009CL	90	36/30	14	3.2	6	1.8	1.8	0.19	0.19

## RCEL005/009C



## RCEL005L/009CL

