



RCEL 005 / 005L

Electric Actuators

Instruction

Installation

1. Mounting on valve (A).
2. Electric wiring (B).
3. Adjusting (C).
4. Manual operation (D).

NOTE: Only electric wiring, according to instruction B, is required when the actuator is delivered from Remote Control mounted on a valve. It is adjusted and ready for operation.

WARNING!



Remove power before the cover is dismantled! The actuator must be handled with the utmost care when the cover is removed and the power is connected.

A. Mounting on Valve

1. Operate the valve manually to fully open or fully closed position before the actuator is mounted.
2. Operate the actuator manually (see D) to fully open or fully closed position.
3. Check that the actuator and valve stem are in correct position. Please note, valve and actuator must be in the same mode (fully open / fully closed) prior to the assembly.
4. Mount the actuator on the valve and check that the actuator and valve stems are centered and aligned. If a mounting bracket is used, the fit must be checked so that no distortion or play exists.
5. Operate the valve manually with the aid of allen key (see D) and check that the valve moves with normal resistance.
6. Check that all screws are correctly tightened.

B. Electric Wiring

NOTE: Electric wiring must be carried out by qualified personnel only!

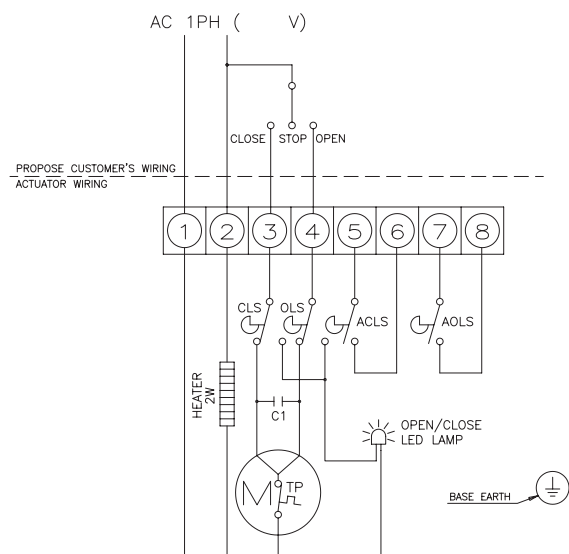
1. Loosen the screws on the cover and lift it off.
2. Check the voltage marked on the actuator label.
3. Connect according to the enclosed wiring diagram or, if the actuator is of standard design, according to the wiring diagram below. The wiring diagram is drawn in unaffected position (the valve in intermediate position).
4. Test run the actuator from the intermediate position checking that the actuator turns in the correct direction.
5. Test run the actuator and check that the limit switches work correctly.
6. Check that the cable entries and possible blind plug are sealed.
7. Mount the cover.

Wiring diagram No. ST 12000 A. Standard.

CLS : CLOSE LIMIT SWITCH (250VAC 3A)
 OLS : OPEN LIMIT SWITCH (250VAC 3A)
 ACLS : AUX. CLOSE LIMIT SWITCH (250VAC 3A)
 AOLS : AUX. OPEN LIMIT SWITCH (250VAC 3A)
 TP : THERMAL PROTECTOR
 C1 : CAPACITOR

SWITCH	CLOSE	OPEN
CLS		
OLS		
ACLS		
AOLS		

*EACH ACTUATOR SHOULD BE POWERED THROUGH ITS OWN INDIVIDUAL SWITCH OR RELAY CONTACTS TO PREVENT CROSS FEED BETWEEN TWO OR MORE ACTUATORS



C. Adjusting

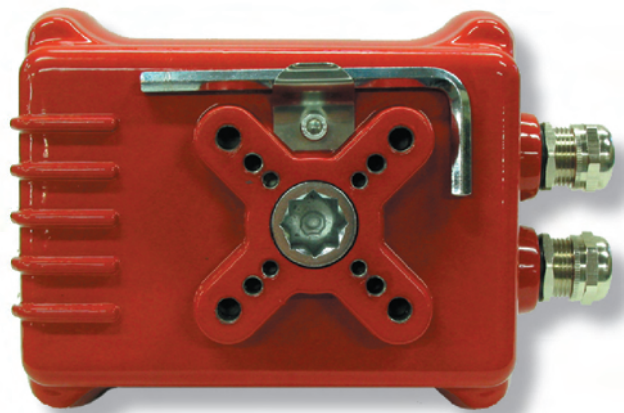
1. Make the final cam adjustments for the limit switches (if necessary) according to instruction (a) below.
2. Run the actuator from one end position to the other a number of times.
3. Adjust the indicator disc for visual indication so that it relates to the valve position.
4. Test run the actuator and check that the limit indicators are working correctly.
5. Mount the cover.

(a) Adjustment of cams for limit switches:

1. Operate the actuator manually to closed position.
2. Adjust the cam for closed position (lower cam) marked CLS on the electronic card.
3. Operate the actuator manually to open position.
4. Adjust the cam for open position (upper cam) marked OLS on the electronic card.
5. Test run the actuator.

D. Manual Operation

1. Take the attached 6mm Allen key mounted underside the actuator.
2. Insert the 6mm Allen key and turn the valve to the required position.
3. Turn clockwise to close and anti-clockwise to open.
4. Put allen key back in the holder after manual operation.



Remote Control Sweden
Kontrollvägen 15
SE-791 45 Falun
Sweden
Tel +46 (0)23 587 00
Fax +46 (0)23 587 45
www.remotecontrol.se
info@remotecontrol.se



Remote Control
Gutenbergstr. 22
DE-41564 Kaarst-Büttgen
Germany
Tel +49 (0)2131 795 760
Fax +49 (0)2131 795 7615
www.remotecontrol.de
info@remotecontrol.de



Remote Control Ltd
Unit 40, Trent Valley Works
Station Road, Rugeley
Staffordshire WS15 3HB
England
Tel +44 (0)1889 576 888
Fax +44 (0)1889 577 676
www.remotecontrol.co.uk
info@remotecontrol.co.uk



Remote Control Asia
No. 9, Kaki Bukit Road 1
#03-03, Eunos Technolink
Singapore 415938
Tel +65 6848 7150
Fax +65 6746 5815
www.remotecontrol.com.sg
info@remotecontrol.com.sg



Remote Control Inc
PO Box 355
386 Dry Bridge Rd
North Kingstown, RI 02852
USA
Tel +1 (0)401 294 1400
Fax +1 (0)401 294 3388
www.rciactuators.com
info@remotecontrol.us