



# RCEL003

## Electric Actuators

## Technical Data

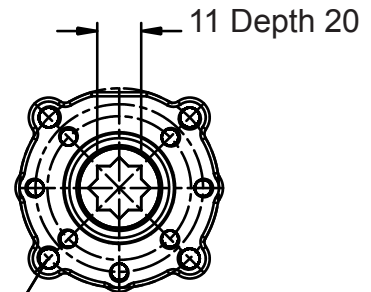
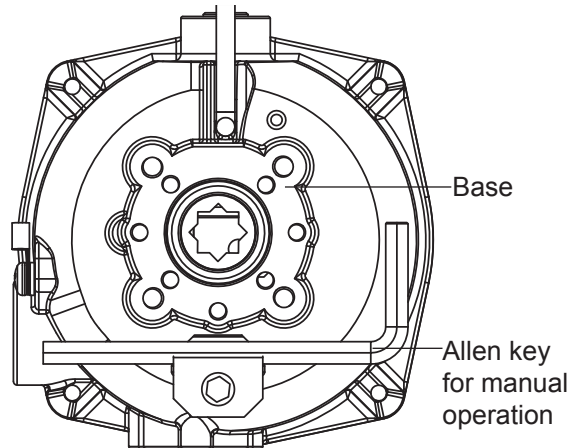
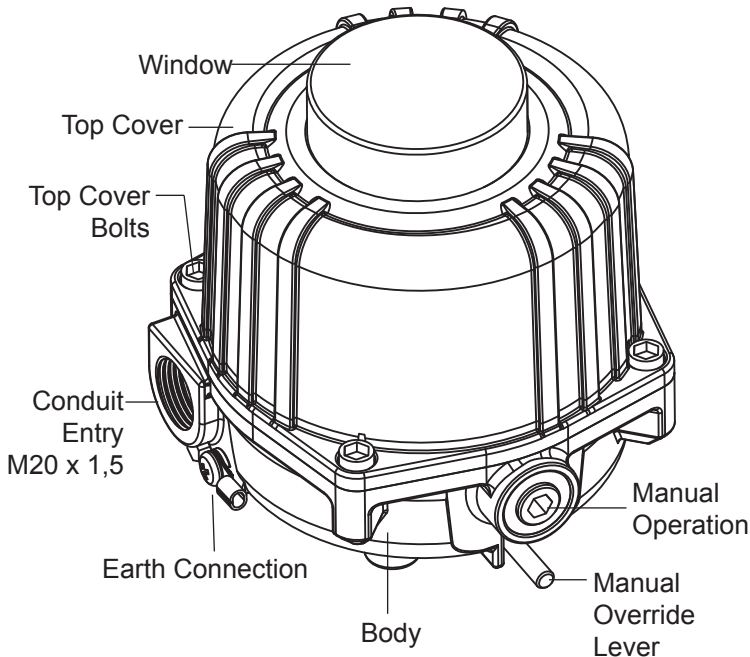
### Performance

Type	Max torque Nm	Op. time sek 90° 50Hz/60Hz	Square drive	Weight kg	No. of handle turns	Current draw max. A 1-ph 24VAC	Current draw max. A 24VDC	Current draw max. A 1-ph 110V	Current draw max. A 1-ph 230V
RCEL003	30	8	11	1,5	6	1,0	0,8	0,2	0,11

### Standard Specification

<b>Enclosure:</b>	IP67 Nema 4 and 6
<b>Ambient Temp:</b>	-20 °C to +70 °C
<b>Power Supply:</b>	230VAC, 1Phase ±10%, 50/60Hz (Option: 110VAC) 24VDC (Option: 24VAC).
<b>Limit Switches:</b>	Open/Close, 2+2 pcs
<b>Travel Angle:</b>	90° ± 5°
<b>Indicator:</b>	Continuous Position Indicator Illuminated at fully open or fully closed position
<b>Manual Override:</b>	Allen key (6mm)
<b>Gear train:</b>	Permanently lubricated
<b>Space Heater:</b>	2x1,5W (110/230VAC & 24VDC) Anti-condensation
<b>Conduit Entry:</b>	M20 x 1,5
<b>Lubrication:</b>	Grease Moly (EP-type)
<b>Materials:</b>	Steel, Aluminium Alloy, Al Bronze
<b>External coating:</b>	Anodized and Dry Powder Polyester

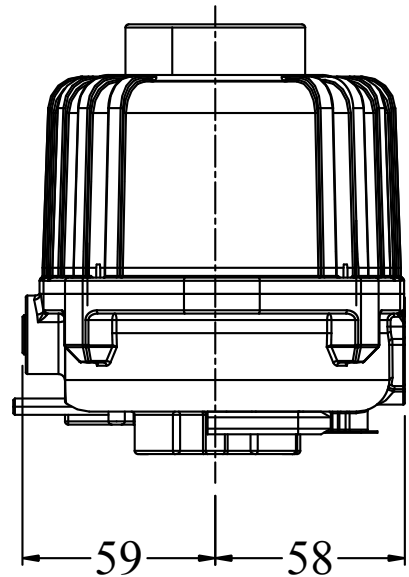
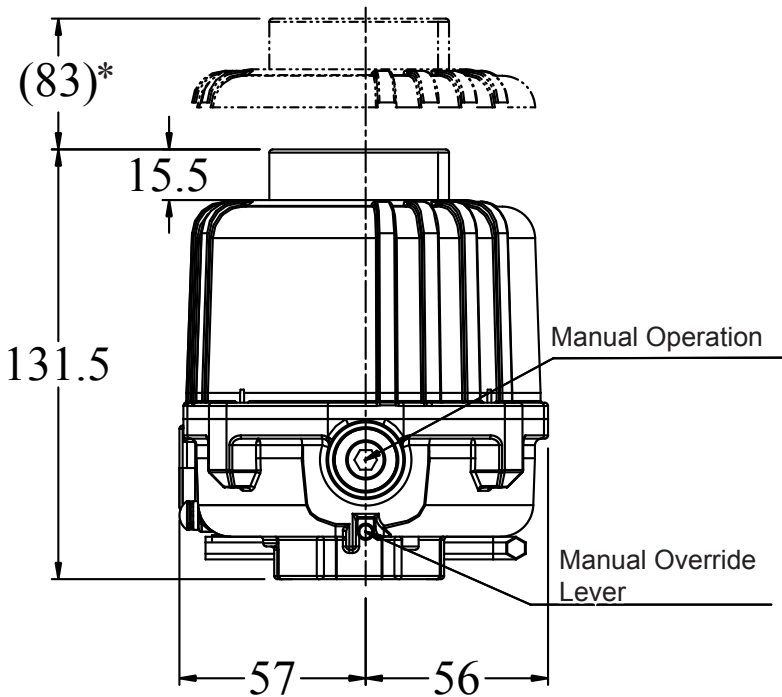




**BASE**

ISO 5211 F03  
ISO 5211 F04 (3 holes)  
ISO 5211 F05

\* = Space needed for cover dismounting



Draw No 012847

