

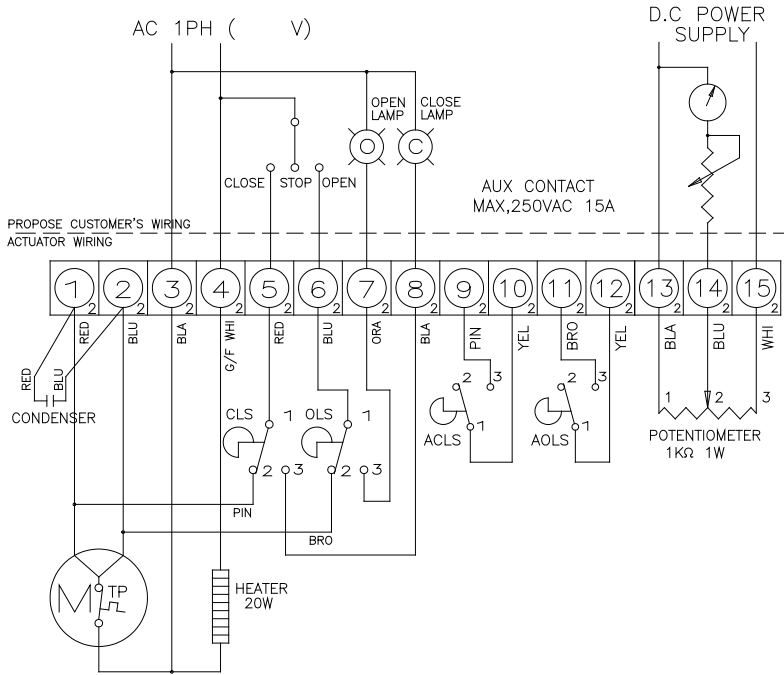
RCEL Potentiometer unit PIU



Technical Data

- For RCEL 006 - RCEL 250
- For continuous position feedback from 0° to 90°
- The whole unit is built into the actuator
- Potentiometer 1k Ohm, senses the actuator position during the whole turning movement
- Mounting details included
- Resistance 1k Ohm
Resistance tolerance $\pm 20\%$
- Linearity $\pm 1\%$
- Max load 1W at +70 °C

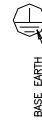
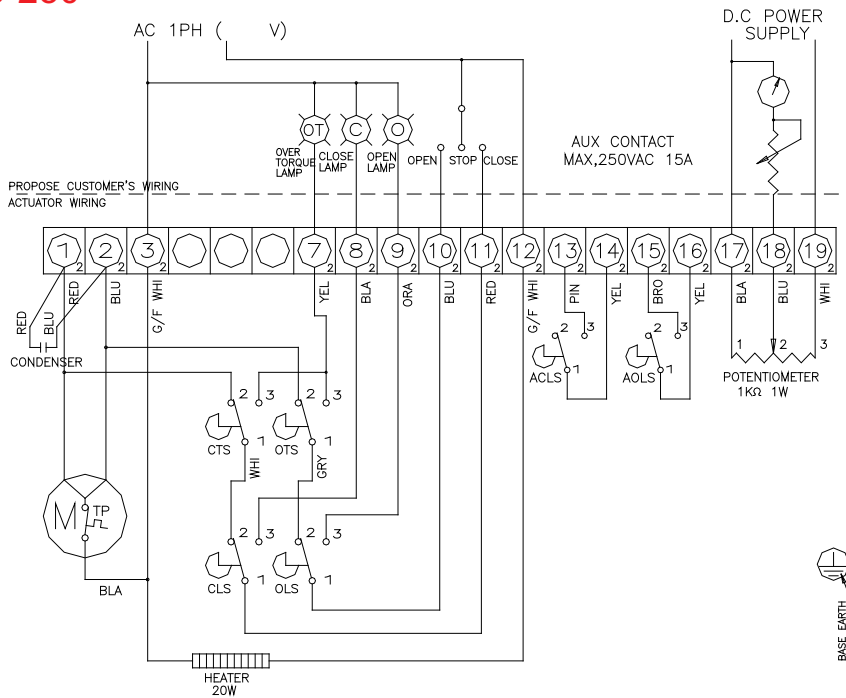
RCEL
006-009



CLS: Close Limit Switch
OLS: Open Limit Switch
CTS: Close Torque Switch
OTS: Open Torque Switch
ACLS: Aux. Close Limit Switch
AOLS: Aux. Open Limit Switch
TP: Thermal Protector

Each actuator should be powered through its own individual switch or relay contacts to prevent cross feed between two or more actuators.

RCEL
015-250



Ref No 423C / Art No 980423

