

RCEL with Proportional Control unit PCU PB90



- For RCEL006 - RCEL250
- 115V and 230V/50Hz, 1-phase design
- Positioner card PB90
- Potentiometer unit PIU 1k Ohm for internal position feedback to PB90
- The electronic components are protected against dirt or similar

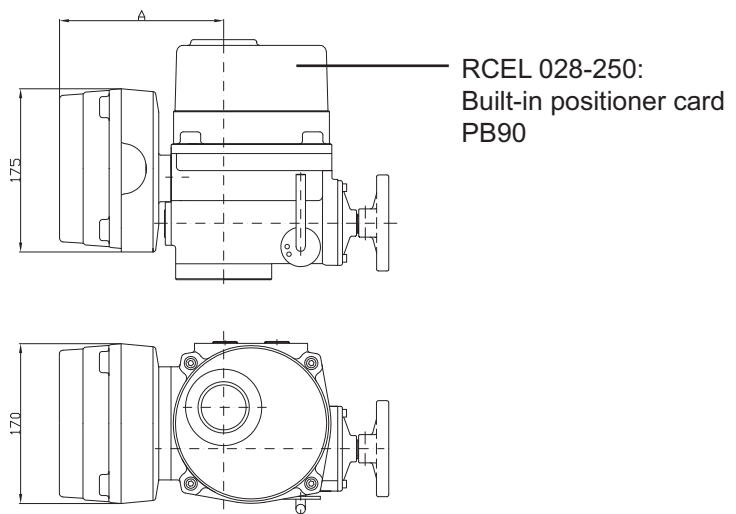
TECHNICAL DATA

Command signal input	4-20 mA, nominal input impedance 150 Ohm, jumpers I1 and I2 0-10 V, nominal input impedance 260k Ohm, jumper V1
Analogue feedback signal	4-20 mA, self powered, can drive up to 300 Ohm
Fuse	3,15 AT 5x20 mm, mounted on the PB90 card
Resolution	Approx. 0,3%
Conversion*	12 bit maximum. Normal range (4-20 mA) = 1/3200.

*Performance only for the PB90 card. Characteristic of feedback element and actuator system response affect the true performance.

Actuator	A (PCU)
RCEL006	176
RCEL009	176
RCEL015	197
RCEL019	197

Note: Can not be combined with LCU (all actuator sizes).



www.remotecontrol.se



Remote Control Sweden
Tel +46 (0)23 587 00
Fax +46 (0)23 587 45
www.remotecontrol.se
info@remotecontrol.se



Remote Control
Tel +49 (0)2131 795 760
Fax +49 (0)2131 795 7615
www.remotecontrol.de
info@remotecontrol.de



Remote Control Ltd
Tel +44 (0)1889 576 888
Fax +44 (0)1889 577 676
www.remotecontrol.co.uk
info@remotecontrol.co.uk

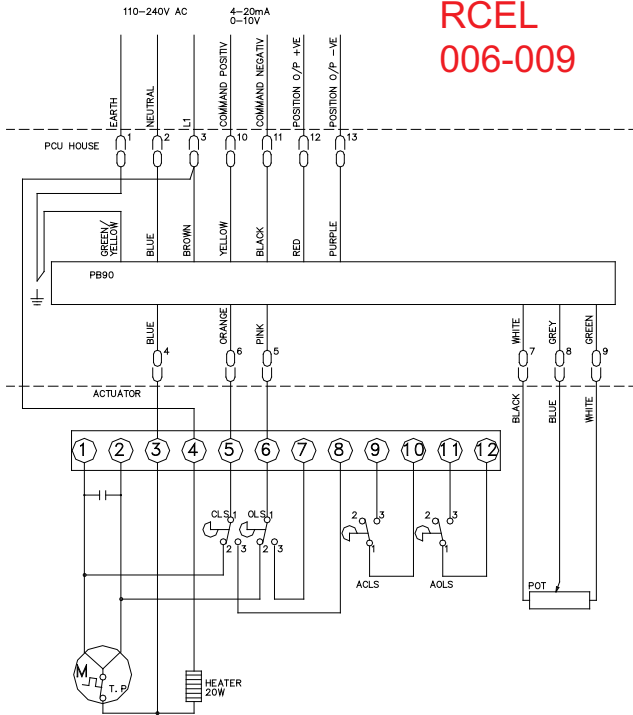


Remote Control Asia
Tel +65 6848 7150
Fax +65 6746 5815
www.remotecontrol.com.sg
info@remotecontrol.com.sg



Remote Control Inc
Tel +1 (0)401 294 1400
Fax +1 (0)401 294 3388
www.rciactuators.com
sales@rciactuators.com

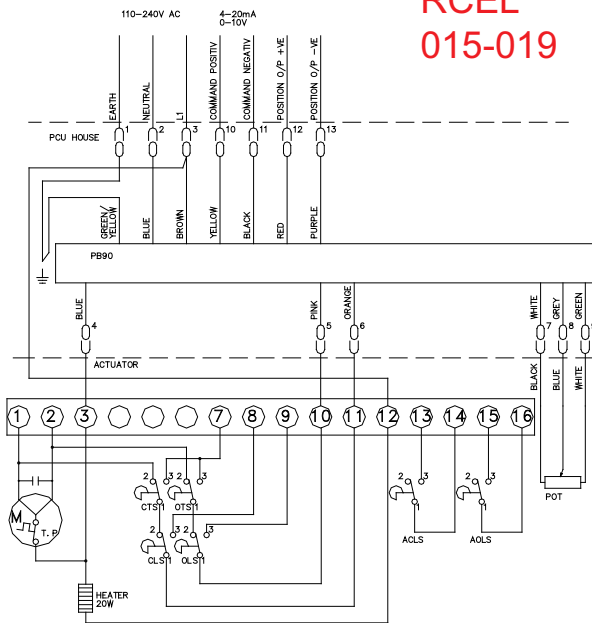
RCEL 006-009



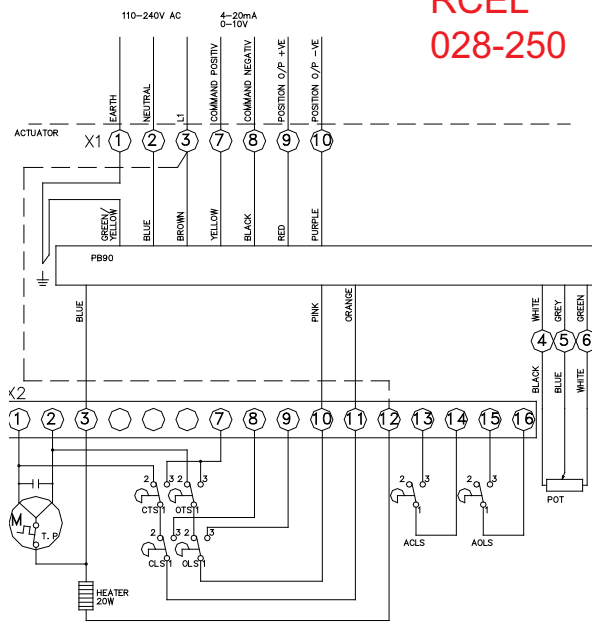
CLS: Close Limit Switch
 OLS: Open Limit Switch
 CTS: Close Torque Switch
 OTS: Open Torque Switch
 ACLS: Aux. Close Limit Switch
 AOLS: Aux. Open Limit Switch
 POT: Potentiometer
 PB90: Positioning Board

Each actuator should be powered through its own individual switch or relay contacts to prevent cross feed between two or more actuators.

RCEL 015-019



RCEL 028-250



Ref No 457D / Art No 980457



Remote Control Sweden
 Kontrollvägen 15
 SE-791 45 Falun
 Sweden
 Tel +46 (0)23 587 00
 Fax +46 (0)23 587 45
www.remotecontrol.se
info@remotecontrol.se



Remote Control
 Gutenbergstr. 22
 DE-41564 Kaarst-Büttgen
 Germany
 Tel +49 (0)2131 795 760
 Fax +49 (0)2131 795 7615
www.remotecontrol.de
info@remotecontrol.de



Remote Control Ltd
 Unit 40, Trent Valley Works
 Station Road, Rugeley
 Staffordshire WS15 3HB
 England
 Tel +44 (0)1889 576 888
 Fax +44 (0)1889 577 676
www.remotecontrol.co.uk
info@remotecontrol.co.uk



Remote Control Asia
 No. 9, Kaki Bukit Road 1
 #03-03, Eunos Technolink
 Singapore 415938
 Tel +65 6848 7150
 Fax +65 6746 5815
www.remotecontrol.com.sg
info@remotecontrol.com.sg



Remote Control Inc
 PO Box 355
 386 Dry Bridge Rd
 North Kingstown, RI 02852
 USA
 Tel +1 (0)401 294 1400
 Fax +1 (0)401 294 3388
www.rciactuators.com
sales@rciactuators.com