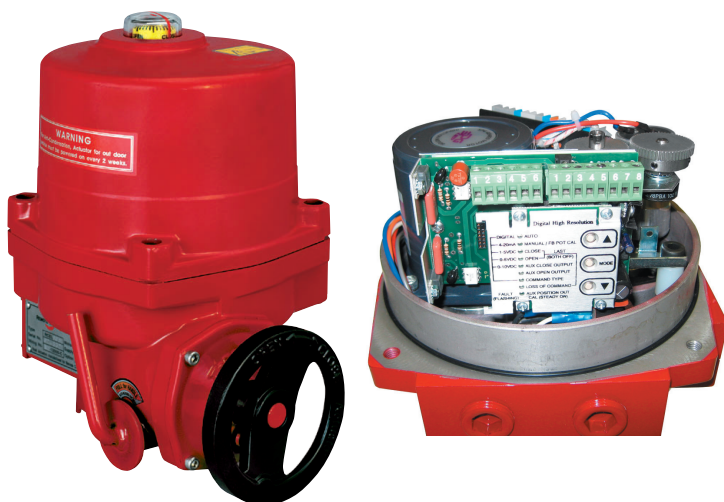


# RCEL

## Digital Controller PCU DHC-100D

Built-in digital controller PCU DHC-100D  
with easy calibration

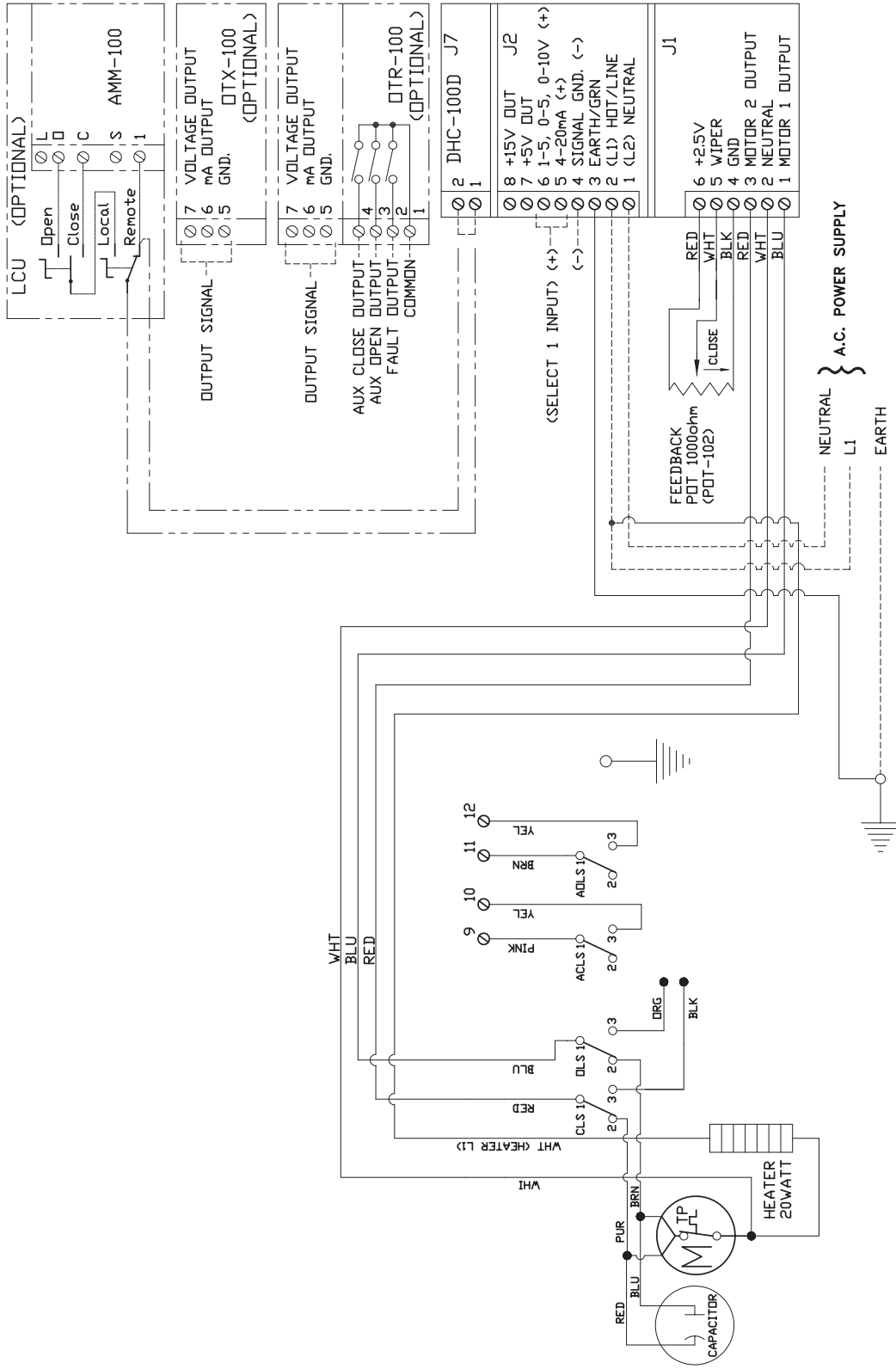


The DHC-100D is a high performance digital positioner built into the actuator, providing 450 points of resolution with quarter turn actuators. The DHC-100D has many advanced features that will enhance the actuator. Only the three button control is necessary to configure all parameters and allows the open and closed positions to be easily set for direct or reversing acting. The DHC-100D has adaptive continuously control feature for load and actuator conditions.

## Technical Data

- For RCEL006 – RCEL250 and RCEL005L
  - 230V/50Hz, 1-phase
  - Digital controller DHC-100D built into the actuator
  - Can be combined with Local Control Unit LCU (not for RCEL005L)
  - Command input signal  
4-20 mA, 1-5V, 0-5V, 0-10V
  - Fuse type  
5A TR5 (replaceable)
  - Resolution  
0,2%
- Options**
- Position feedback signals (OTR-100 & OTX-100)  
4-20 mA, max load 400 Ohm.  
0-10V, max load 10 mA
  - Switch outputs SPST (OTR-100)  
Max load 1A at 24VDC  
0,5A at 125VAC

## RCEL006-009

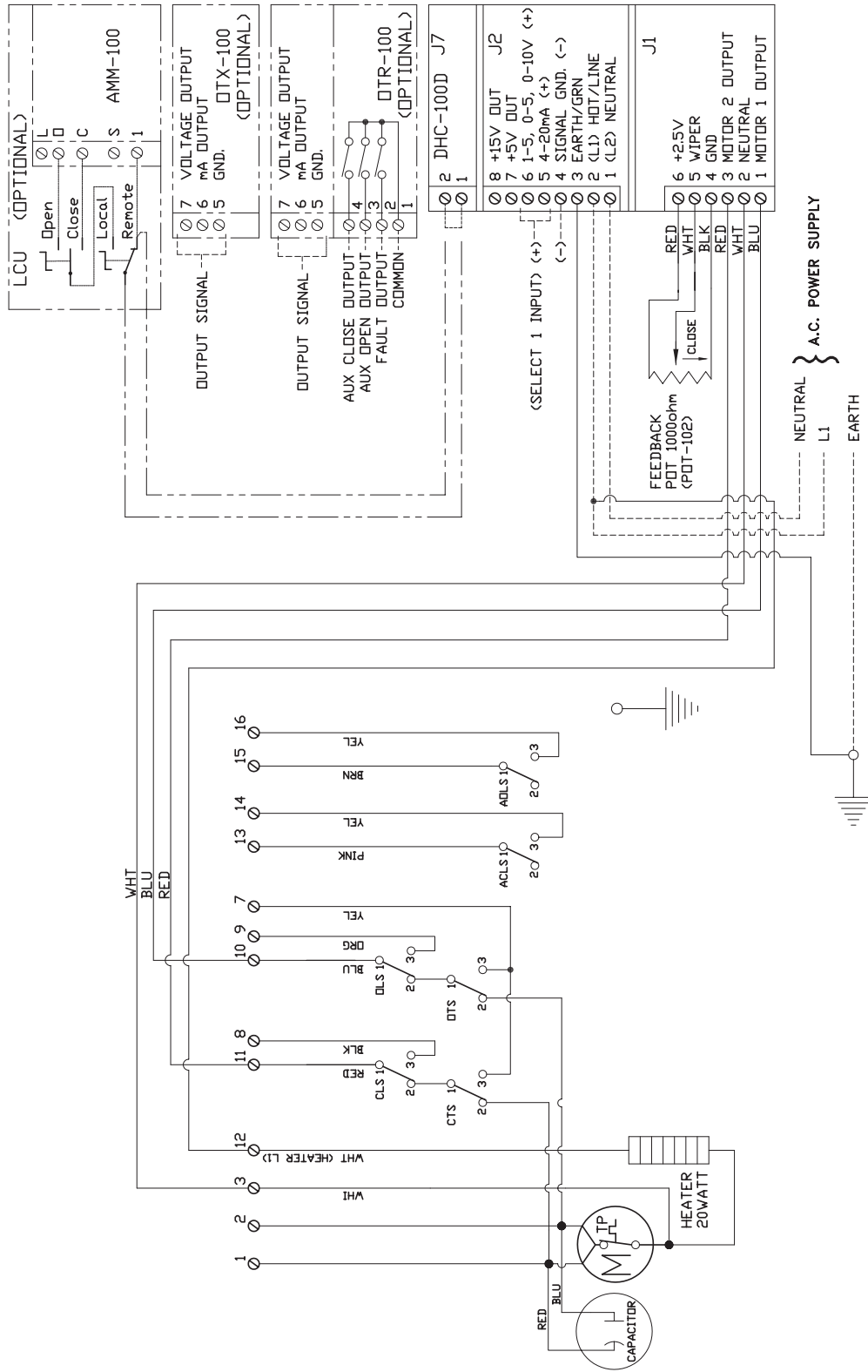


CLS: Close limit switch (250VAC 6A)  
 OLS: Open limit switch (250VAC 6A)  
 ACLS: Aux close limit switch (250VAC 6A)  
 AOLS: Aux open limit switch (250VAC 6A)  
 TP: Thermal protector (max 250VAC 15A)  
 AC Voltage Single Phase

----- Customer Wiring  
 - - - - - Optional Equipment

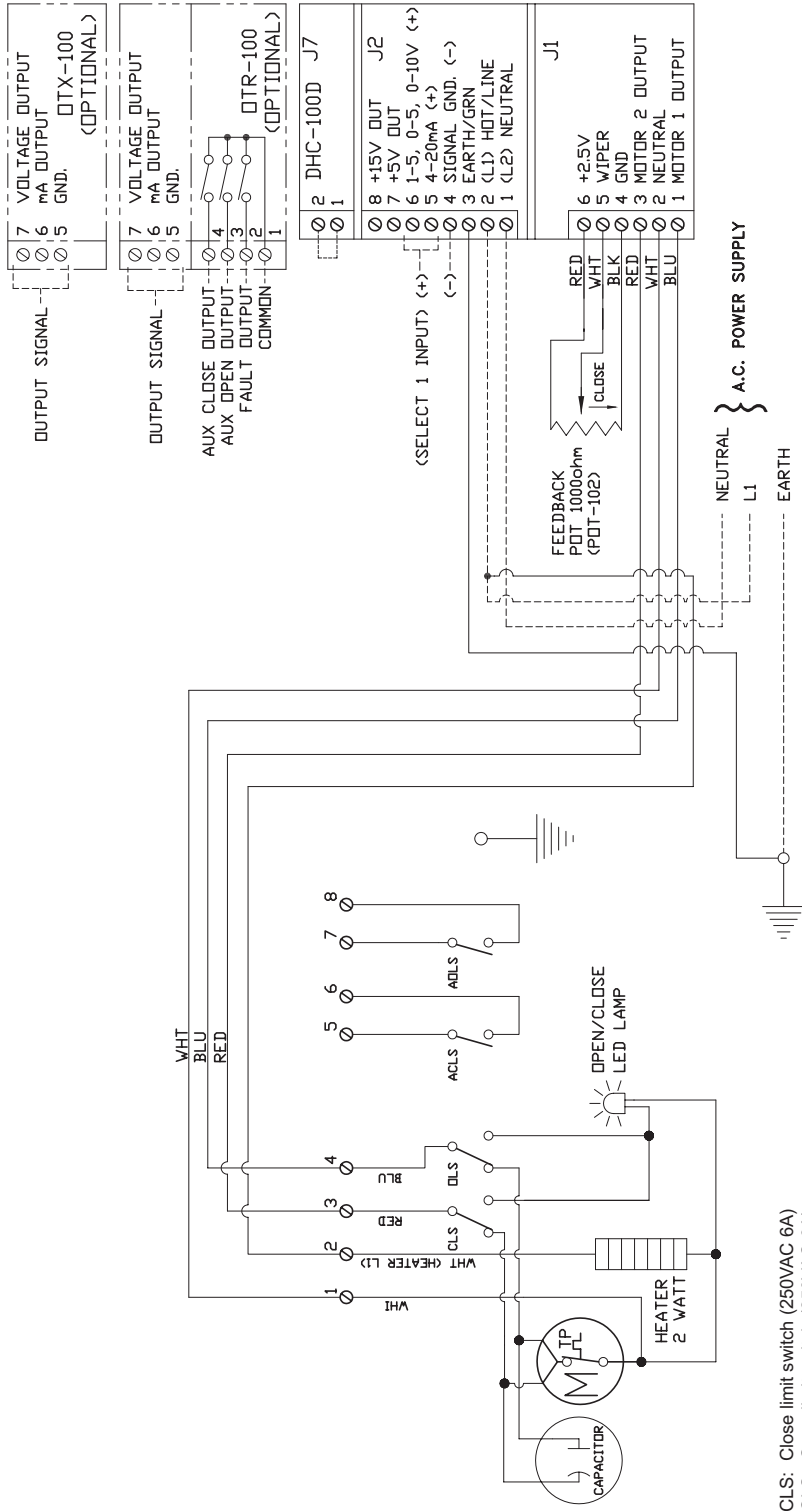
Drawing No 006840

## RCCEL015-250



- CLS: Close limit switch (250VAC 6A)
  - OLS: Open limit switch (250VAC 6A)
  - CTS: Closing torque switch
  - OVS: Opening torque switch
  - AOLS: Aux close limit switch (250VAC 6A)
  - AOLS: Aux open limit switch (250VAC 6A)
  - TP: Thermal protector (max 250VAC 15A)
- AC Voltage Single Phase

----- Customer Wiring  
 ----- Optional Equipment



CLS: Close limit switch (250VAC 6A)  
 OLS: Open limit switch (250VAC 6A)  
 ACLS: Aux close limit switch (250VAC 6A)  
 AOLS: Aux open limit switch (250VAC 6A)  
 TP: Thermal protector (max 250VAC 15A)  
 AC Voltage Single Phase

Drawing No 007179

Customer Wiring  
 Optional Equipment

Ref No 498 / Art No 980498

We reserve the right to make changes without notice

