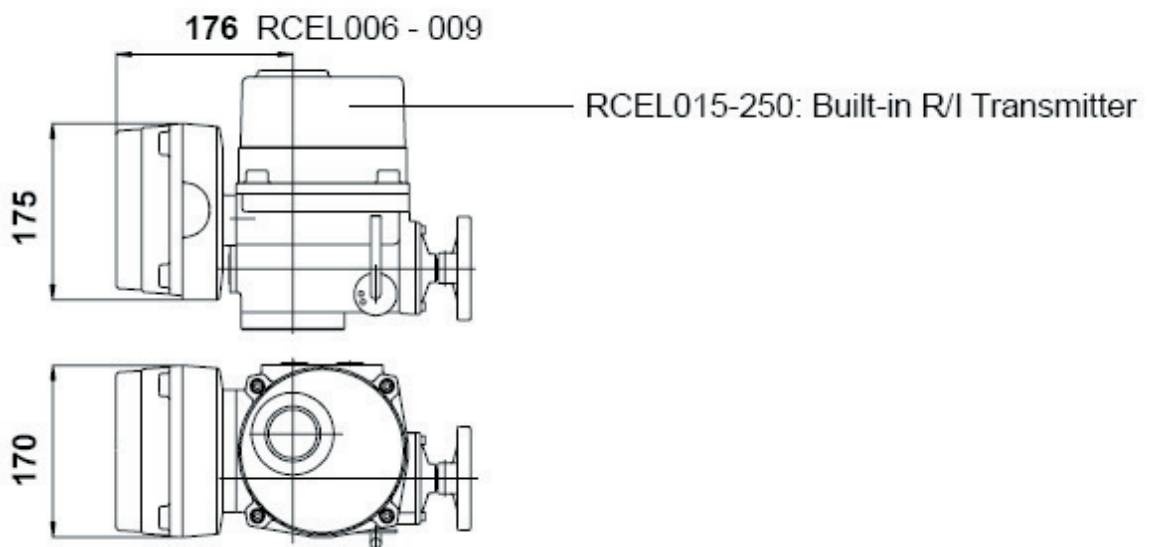




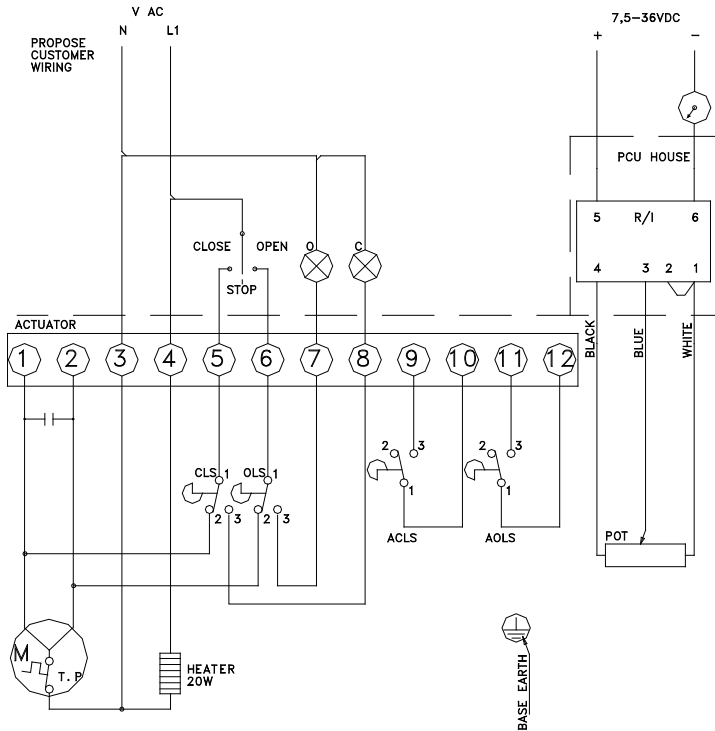
RCEL With Current Position Transmitter CPT



- For continuous, analogue feed back signal 4-20 mA
- R/I Transmitter
- The electronic components are protected against dirt and similar



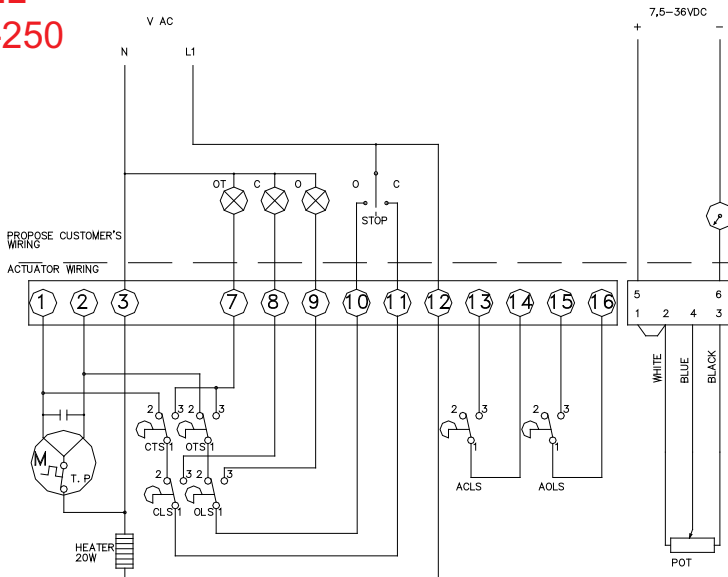
RCEL 006-009



CLS: Close Limit Switch
 OLS: Open Limit Switch
 CTS: Close Torque Limit Switch
 OTS: Open Torque Limit Switch
 POT: Potentiometer
 R/I: R/I Transmitter
 ACLS: Aux. Close Limit Switch
 AOLS: Aux. Open Limit Switch

Each actuator should be powered through its own individual switch or relay contacts to prevent cross feed between two or more actuators.

RCEL 015-250



Ref No 454C / Art No 980454

