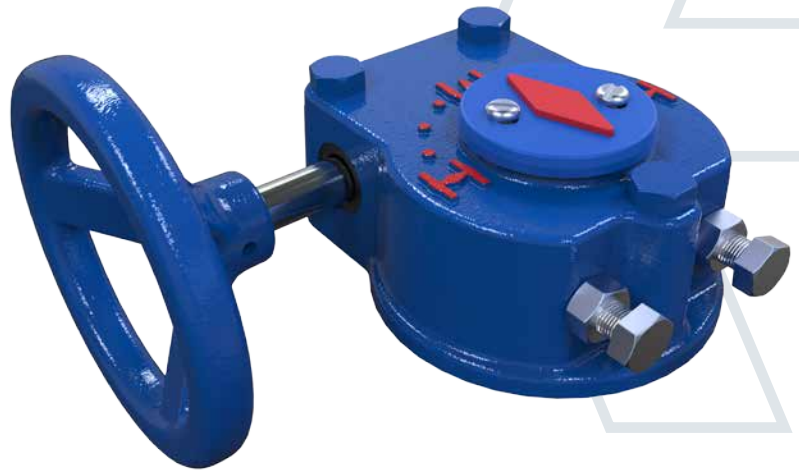


rotork®

Gears



Manual Quarter-turn Gear Operators

The QTW150 gearbox has been designed with simplicity in mind, resulting in a robust design with manufacturing optimised to deliver reliability and consistent performance. The QTW150's simple, rugged construction makes it an ideal choice for quarter-turn valve applications.

Application

The QTW150 quarter-turn worm gearbox is intended for the operation of ball, butterfly, plug and any other quarter-turn valves. These gear operators are well suited for applications in waterworks, chemical, power, HVAC and most general industrial applications.

QTW150 Gearbox

New Hand Operated Quarter-turn Worm Gearbox for use in the Water and Gas pipeline markets

Features

- Manual input
- PTFE thrust bushes
- Cast iron housing and cover
- Ductile iron quadrant
- Stroke 0-90° ($\pm 5^\circ$ adjustable at open and closed)
- Adjustable indicator
- Protected steel input shaft and fasteners
- Silicon sealed stop bolts
- Self locking gearing

Environmental Specification

- IP65 minimum sealed unit
- -20 to +120 °C (-4 to +250 °F) standard temperature range

Options

- Padlockable

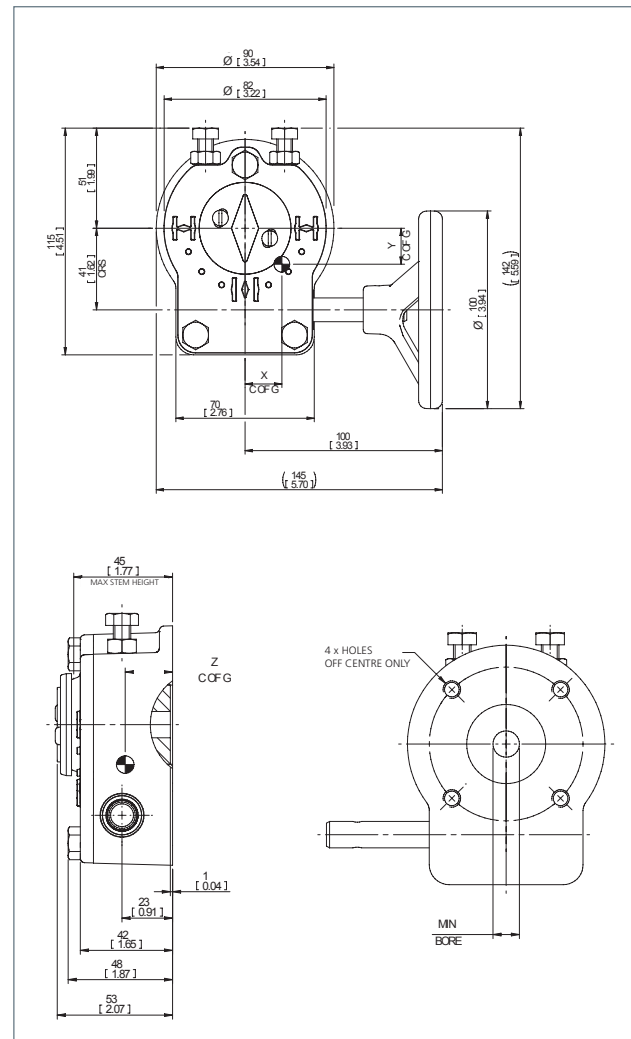
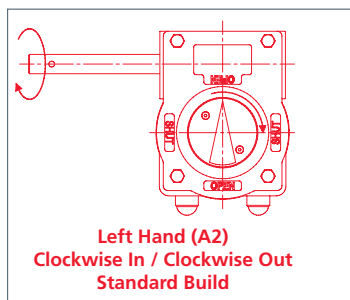
Model	Torque Nm (lbf.in)	Ratio	MA ($\pm 15\%$)	Input Torque Nm (lbf.in)	Handwheel Size mm (inch)	Stem Max Bore+rect. B5 key mm (inch)	Max Square mm (inch)	Max DD mm (inch)	Max Stem Height mm (inch)	Output Flange	Weight kg (lbs)
QTW150	150 (1332)	40:1	10	15 (132)	100 (4)	22 + 6K (0.8125 + 0.25K)	20AF (0.75AF)	28 x 20AF (1.0625 x 0.75AF)	45 (1.75)	F/FA05-F/FA07	2.07 (4.56)

Material specification for Rotork QTW150 Gearbox

Description	Material
Lip Seal	Nitrile Rubber
O-Ring	Nitrile Rubber
Coil Pin	Alloy Steel
Flanged Bush	PTFE Steel-Backed
Hexagon Head Screw	Zinc Plated Steel
Hex Nut	Zinc Plated Steel
Input Shaft	Zinc Plated Steel
Worm	Carbon Steel
Indicator	Plastic
Gearcase	Cast Iron
Cover	Cast Iron
Quadrant	Ductile Iron
Handwheel	Cast Iron
Button Head Screw	Nickel Plated Steel
Slotted Pin	Alloy Steel
Grease	EP Grease

Note: Due to the company's policy of continuous improvement, Rotork Gears reserves the right to change specification details without prior notice.

Input Shaft Projection



Rotork Gears UK
9 Brown Lane West
Holbeck, Leeds LS12 6BH
England
tel +44 (0)113 256 7922
email sales@rotorkgears.com

Rotork Gears BV
Nijverheidstraat 25
7581 PV Losser
P.O. Box 98, 7580 AB Losser
The Netherlands
tel +31 (0)53 - 5388677
fax +31 (0)53 - 5383939
email info@rotorkgears.nl

Rotork Gears India
165/166, Bommasandra
Jigani Link Road
Kiadb Industrial Area, Anekal
Thaluk
Jigani Hobli, Bangalore 562106
India
tel +91 80 3098 1600
fax +91 80 3098 1610
email sales@rotork.co.in

Rotork Gears Americas
1811 Brittmooore
Houston, Texas 77043, USA
tel +1 713 9837381
fax +1 713 8568022
email gears@rotorkgears.com

Rotork Gears Shanghai
No. 260 Lian Cao Road
Xin Mei Urban Industrial Park
Min Hang District
Shang Hai 201108
China
tel 0086 21 33236200
fax 0086 21 64348388
email info@rotorkgears.com.cn

Rotork Valvekits
Brookside Way
Nunn Park
Huthwaite
Nottinghamshire NG17 2NL
England
tel +44 (0)1623 440211
fax +44 (0)1623 440214
email sales@rotorkvalvekits.com

Rotork Valvekits Americas
Rotork Tulsa, Inc.
4433 West 49th Street, Suite D
Tulsa, OK 74107, USA
tel +1 (918) 259-8100
fax +1 (918) 259-9167
email usasales@rotorkvalvekits.com

Rotork Gears S.R.L.
Viale Europa 17
20090 Cusago (MI)
Italy
tel +39 0290 16711
fax +39 0290 390368
email rg srl.sales@rotork.com

Roto Hammer Industries
Rotork Tulsa, Inc.
4433 West 49th Street, Suite D
Tulsa, OK 74107, USA
tel +1 (918) 446-3500
fax +1 (918) 446-6218
email sales@rotohammer.com

A full listing of the Rotork sales
and service network is available
on our website.

www.rotork.com