

rotork[®]

Fluid Systems

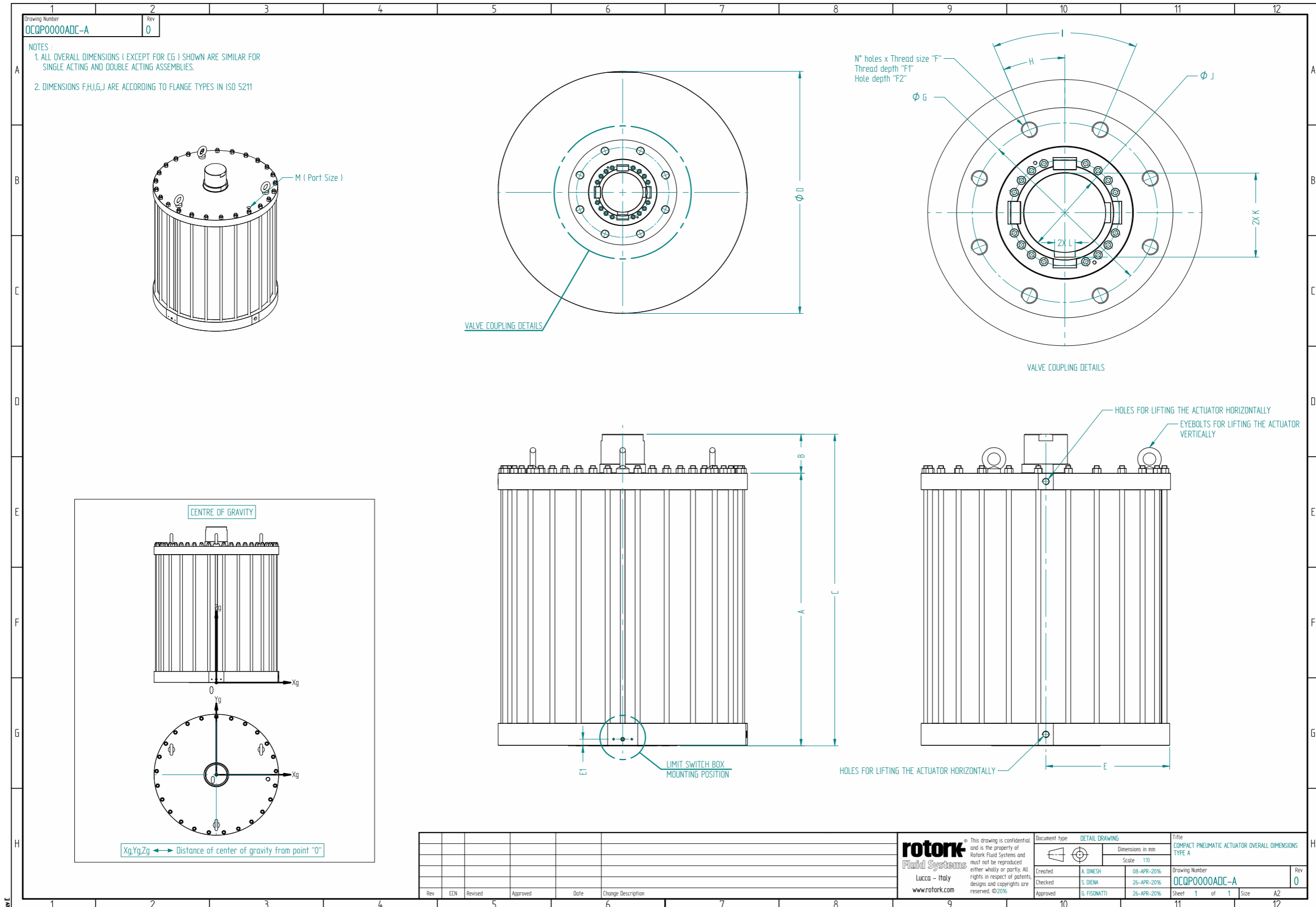
CQP Series actuator

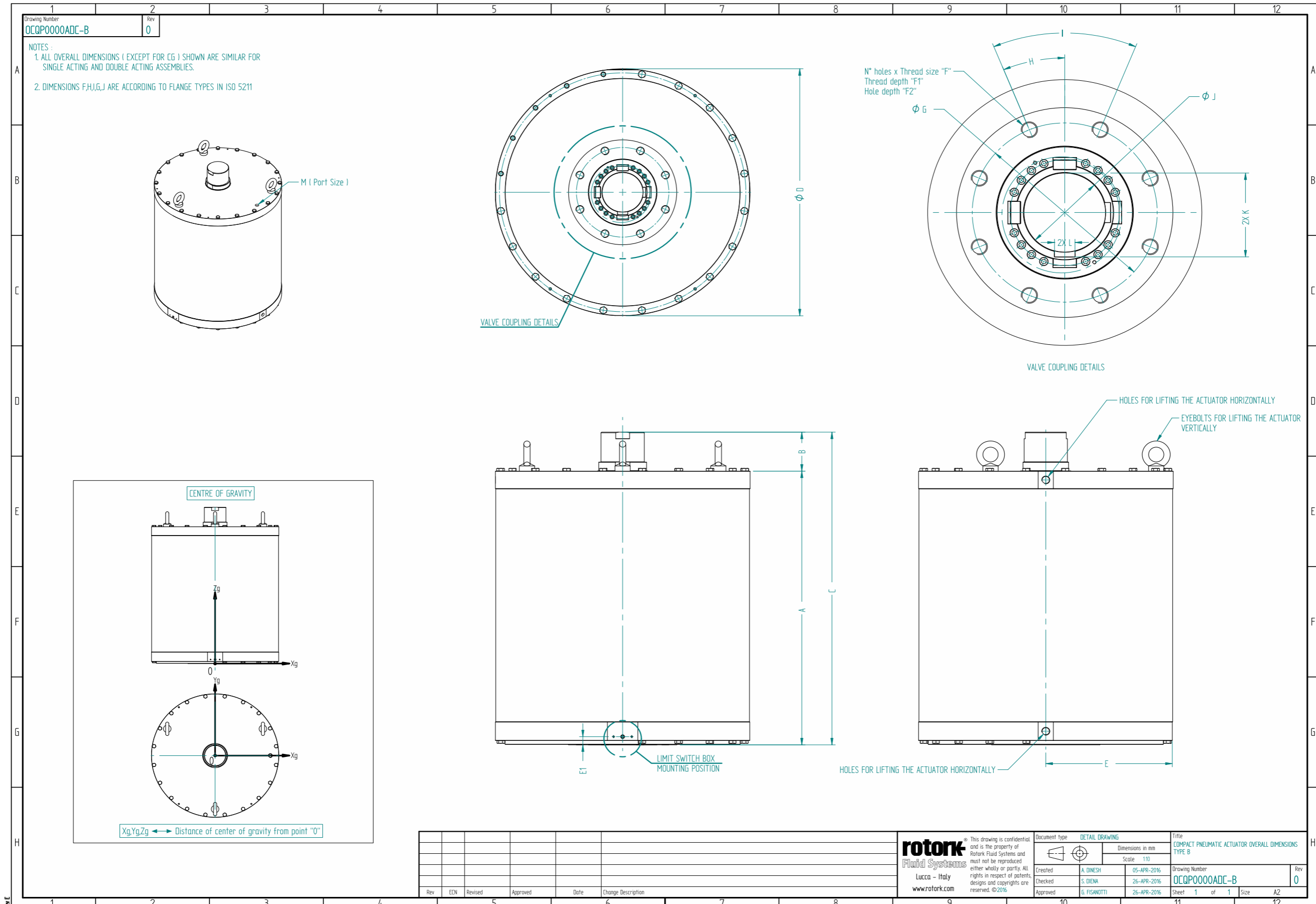
Dimension Data (metric)



Date 12/15/2016

Revision 0





ACTUATOR MODEL	ISO 5211 FLANGE TYPE	ACTUATOR OVERALL DIMENSIONS				LIMIT SWITCH BOX MOUNTING DETAILS		VALVE COUPLING DIMENSIONS			M (NPT)	DISPL. (l)	WEIGHT (kg)	CENTER OF GRAVITY		
		A	B	C	Ø D	E	E1	Ø J (H9 Fit)	K ₀ ^{0.2}	L (D10 Fit)				Xg	Yg	Zg
CQP-010-300*/C1-A	F14	411.0	105.0	516.0	380.0	183.0	18.5	50.0	54.3	16.0	1/2"	6.8	173.1	-0.10	-0.07	211.88
CQP-010-320*/C1-A	F14	411.0	105.0	516.0	400.0	194.0	18.5	50.0	54.3	16.0	1/2"	7.7	181.2	-0.09	0.08	212.78
CQP-010-350*/C1-A	F14	411.0	105.0	516.0	432.0	210.0	18.5	50.0	54.3	16.0	1/2"	9.2	199.8	-0.09	0.06	213.34
CQP-010-300*/C1-B	F14	425.5	105.0	530.5	349.0	166.5	33.0	50.0	54.3	16.0	1/2"	6.8	199.5	-0.04	0.07	219.62
CQP-010-320*/C1-B	F14	425.5	105.0	530.5	373.0	179.5	33.0	50.0	54.3	16.0	1/2"	7.7	220.4	-0.04	0.07	219.90
CQP-010-350*/C1-B	F14	425.5	105.0	530.5	407.0	196.5	33.0	50.0	54.3	16.0	1/2"	9.2	250.4	-0.05	0.03	220.35
CQP-020-350*/C1-A	F16	524.0	116.0	640.0	432.0	209.5	22.0	60.0	64.4	18.0	1/2"	12.8	275.8	0.54	0.10	258.18
CQP-020-385*/C1-A	F16	524.0	116.0	640.0	465.0	226.5	22.0	60.0	64.4	18.0	1/2"	13.4	299.3	0.40	0.11	259.26
CQP-020-400*/C1-A	F16	524.0	116.0	640.0	480.0	234.5	22.0	60.0	64.4	18.0	1/2"	14.5	312.5	0.38	0.10	259.51
CQP-020-350*/C1-B	F16	538.0	116.0	654.0	407.0	197.0	36.0	60.0	64.4	18.0	1/2"	11.1	337.6	-0.72	0.16	269.92
CQP-020-385*/C1-B	F16	538.0	116.0	654.0	442.0	215.0	36.0	60.0	64.4	18.0	1/2"	13.4	370.5	0.34	0.05	269.80
CQP-020-400*/C1-B	F16	538.0	116.0	654.0	457.0	222.5	36.0	60.0	64.4	18.0	1/2"	14.5	385.6	0.09	-0.34	269.59
CQP-030-385*/C1-A	F16	621.0	119.0	740.0	465.0	226.5	22.0	60.0	64.4	18.0	1/2"	19.8	376.1	-1.27	-0.04	305.39
CQP-030-435*/C1-A	F16	621.0	119.0	740.0	515.0	251.5	22.0	60.0	64.4	18.0	1/2"	25.3	422.2	-1.17	-0.13	307.54
CQP-030-450*/C1-A	F16	621.0	119.0	740.0	530.0	259.0	22.0	60.0	64.4	18.0	1/2"	27.1	438.4	-1.15	-0.12	308.08
CQP-030-385*/C1-B	F16	635.0	119.0	754.0	442.0	215.0	36.0	60.0	64.4	18.0	1/2"	19.8	459.1	-0.98	-0.18	316.04
CQP-030-435*/C1-B	F16	635.0	119.0	754.0	492.0	240.0	36.0	60.0	64.4	18.0	1/2"	25.3	514.9	-0.75	-0.10	316.31
CQP-030-450*/C1-B	F16	635.0	119.0	754.0	507.0	247.5	36.0	60.0	64.4	18.0	1/2"	27.1	531.8	-0.93	-0.03	316.44
CQP-040-435*/C1-A	F25	713.0	129.5	842.5	514.0	252.0	21.5	72.0	76.9	20.0	1/2"	31.5	537.4	0.88	-0.39	348.90
CQP-040-485*/C1-A	F25	713.0	129.5	842.5	565.0	277.5	21.5	72.0	76.9	20.0	1/2"	33.8	597.5	0.77	-0.30	354.13
CQP-040-500*/C1-A	F25	713.0	129.5	842.5	580.0	285.0	21.5	72.0	76.9	20.0	1/2"	35.9	609.2	0.75	-0.48	354.75
CQP-040-435*/C1-B	F25	729.0	129.5	858.5	492.0	240.0	36.5	72.0	76.9	20.0	1/2"	27.2	645.0	0.71	-0.30	359.56
CQP-040-485*/C1-B	F25	729.0	129.5	858.5	542.0	266.0	36.5	72.0	76.9	20.0	1/2"	33.8	713.1	0.26	0.78	361.99
CQP-040-500*/C1-B	F25	729.0	129.5	858.5	561.0	275.5	36.5	72.0	76.9	20.0	1/2"	35.9	752.5	0.63	-0.27	362.44
CQP-050-485*/C1-A	F30	882.0	159.5	1041.5	570.0	280.5	23.0	98.0	104.4	28.0	1"	49.1	765.1	-1.16	-0.18	440.66
CQP-050-520*/C1-A	F30	882.0	159.5	1041.5	602.0	297.0	23.0	98.0	104.4	28.0	1"	56.4	802.8	-1.13	-0.18	443.37
CQP-050-560*/C1-A	F30	882.0	159.5	1041.5	642.0	317.0	23.0	98.0	104.4	28.0	1"	65.4	849.9	-1.11	-0.13	445.72
CQP-050-485*/C1-B	F30	897.0	159.5	1056.5	544.0	267.0	33.5	98.0	104.4	28.0	1"	49.1	931.9	-0.92	-0.17	449.19
CQP-050-520*/C1-B	F30	897.0	159.5	1056.5	579.0	285.0	33.5	98.0	104.4	28.0	1"	56.4	985.7	-0.88	-0.14	450.26
CQP-050-560*/C1-B	F30	897.0	159.5	1056.5	619.0	305.0	33.5	98.0	104.4	28.0	1"	65.4	1051.2	-0.83	-0.15	451.16
CQP-060-585*/C1-A	F30	936.0	167.0	1103.0	680.0	336.0	23.5	98.0	104.4	28.0	1"	70.8	1179.1	0.09	-0.53	453.05
CQP-060-635*/C1-A	F30	936.0	167.0	1103.0	730.0	361.0	23.5	98.0	104.4	28.0	1"	83.4	1305.5	0.06	-0.43	461.53
CQP-060-685*/C1-A	F30	936.0	167.0	1103.0	780.0	386.0	23.5	98.0	104.4	28.0	1"	97.0	1407.4	0.04	-0.44	469.33
CQP-060-585*/C1-B	F30	947.0	167.0	1114.0	646.0	319.0	34.0	98.0	104.4	28.0	1"	70.8	1391.4	0.07	-0.43	463.48
CQP-060-635*/C1-B	F30	947.0	167.0	1114.0	696.0	344.0	34.0	98.0	104.4	28.0	1"	83.4	1497.4	0.08	-0.42	468.63
CQP-060-685*/C1-B	F30	947.0	167.0	1114.0	746.0	369.0	34.0	98.0	104.4	28.0	1"	97.0	1614.6	0.08	-0.35	474.17
CQP-070-685*/C1-A	F35	1007.0	169.0	1176.0	780.0	386.0	27.0	160.0	169.4	40.0	1"	97.6	1563.1	-1.84	0.07	510.54
CQP-070-735*/C1-A	F35	1007.0	169.0	1176.0	835.0	413.5	27.0	160.0	169.4	40.0	1"	112.4	1690.9	-1.80	0.15	517.10
CQP-070-785*/C1-A	F35	1007.0	169.0	1176.0	890.0	441.0	27.0	160.0	169.4	40.0	1"	128.2	1847.3	-1.67	0.14	525.18
CQP-070-685*/C1-B	F35	1014.5	169.0	1183.5	746.0	369.0	34.5	160.0	169.4	40.0	1"	97.6	1769.8	-1.61	0.15	516.01
CQP-070-735*/C1-B	F35	1014.5	169.0	1183.5	796.0	394.0	34.5	160.0	169.4	40.0	1"	112.4	1903.3	-1.36	-0.14	520.78
CQP-070-785*/C1-B	F35	1014.5	169.0	1183.5	846.0	419.0	34.5	160.0	169.4	40.0	1"	128.2	2052.3	-1.47	0.10	526.79
CQP-080-785*/C1-A	F35	1107.0	171.0	1278.0	890.0	441.0	27.0	160.0	169.4	40.0	1"	135.1	2042.3	0.33	0.23	564.18
CQP-080-835*/C1-A	F35	1107.0	171.0	1278.0	952.0	472.0	27.0	160.0	169.4	40.0	1"	152.8	2223.2	0.26	0.37	571.22
CQP-080-885*/C1-A	F35	1107.0	171.0	1278.0	1010.0	501.0	27.0	160.0	169.4	40.0	1"	171.7	2400.7	0.37	0.09	577.02
CQP-080-785*/C1-B	F35	1114.5	171.0	1285.5	850.0	421.0	34.5	160.0	169.4	40.0	1"	135.1	2301.1	0.33	-0.26	569.90
CQP-080-835*/C1-B	F35	1114.5	171.0	1285.5	896.0	444.0	34.5	160.0	169.4	40.0	1"	152.8	2434.8	0.35	0.23	574.41
CQP-080-885*/C1-B	F35	1114.5	171.0	1285.5	946.0	469.0	34.5	160.0	169.4	40.0	1"	171.7	2607.8	0.31	0.24	578.88
CQP-090-937*/C1-A	F40	1233.0	176.5	1409.5	1095.0	543.5	30.0	180.0	190.4	45.0	1"	217.2	3535.8	0.20	-0.52	634.62
CQP-090-940*/C1-A	F40	1233.0	176.5	1409.5	1160.0	576.0	30.0	180.0	190.4	45.0	1"	246.8	3812.0	0.16	-0.60	646.72
CQP-090-942*/C1-A	F40	1233.0	176.5	1409.5	1220.0	606.0	30.0	180.0	190.4	45.0	1"	270.9	4179.9	0.51	-0.01	652.71
CQP-090-937*/C1-B	F40	1240.0	176.5	1416.5	1056.0	524.0	37.0	180.0	190.4	45.0	1"	217.2	3898.4	0.18	0.77	638.68
CQP-090-940*/C1-B	F40	1240.0	176.5	1416.5	1119.0	555.5	37.0	180.0	190.4	45.0	1"	246.8	4220.1	0.21	-0.66	647.75
CQP-090-942*/C1-B	F40	1240.0	176.5	1416.5	1169.0	580.5	37.0	180.0	190.4	45.0	1"	270.9	4492.8	0.41	0.18	652.90

-A at the end of the actuator code refers to Type A assembly shown at page 2
 -B at the end of the actuator code refers to Type B assembly shown at page 3

SPRING RETURN, FAIL TO OPEN, PNEUMATIC ACTUATOR - Dimensional Data

ACTUATOR MODEL	ISO 5211 FLANGE TYPE	ACTUATOR OVERALL DIMENSIONS				LIMIT SWITCH BOX MOUNTING DETAILS		VALVE COUPLING DIMENSIONS			M (NPT)	DISPL. (l)	WEIGHT (kg)	CENTER OF GRAVITY		
		A	B	C	Ø D	E	E1	Ø J (H9 Fit)	K ₀ ^{0.2}	L (D10 Fit)				Xg	Yg	Zg
CQP-010-300*/O1-A	F14	411.0	105.0	516.0	380.0	183.0	18.5	50.0	54.3	16.0	1/2"	6.8	173.1	-0.10	-0.07	211.88
CQP-010-320*/O1-A	F14	411.0	105.0	516.0	400.0	194.0	18.5	50.0	54.3	16.0	1/2"	7.7	181.2	-0.09	0.08	212.78
CQP-010-350*/O1-A	F14	411.0	105.0	516.0	432.0	210.0	18.5	50.0	54.3	16.0	1/2"	9.2	199.8	-0.09	0.06	213.34
CQP-010-300*/O1-B	F14	425.5	105.0	530.5	349.0	166.5	33.0	50.0	54.3	16.0	1/2"	6.8	199.5	-0.04	0.07	219.62
CQP-010-320*/O1-B	F14	425.5	105.0	530.5	373.0	179.5	33.0	50.0	54.3	16.0	1/2"	7.7	220.4	-0.04	0.07	219.90
CQP-010-350*/O1-B	F14	425.5	105.0	530.5	407.0	196.5	33.0	50.0	54.3	16.0	1/2"	9.2	250.4	-0.05	0.03	220.35
CQP-020-350*/O1-A	F16	524.0	116.0	640.0	432.0	209.5	22.0	60.0	64.4	18.0	1/2"	12.8	275.8	0.54	0.10	258.18
CQP-020-385*/O1-A	F16	524.0	116.0	640.0	465.0	226.5	22.0	60.0	64.4	18.0	1/2"	13.4	299.3	0.40	0.11	259.26
CQP-020-400*/O1-A	F16	524.0	116.0	640.0	480.0	234.5	22.0	60.0	64.4	18.0	1/2"	14.5	312.5	0.38	0.10	259.51
CQP-020-350*/O1-B	F16	538.0	116.0	654.0	407.0	197.0	36.0	60.0	64.4	18.0	1/2"	11.1	337.6	-0.72	0.16	269.92
CQP-020-385*/O1-B	F16	538.0	116.0	654.0	442.0	215.0	36.0	60.0	64.4	18.0	1/2"	13.4	370.5	0.34	0.05	269.80
CQP-020-400*/O1-B	F16	538.0	116.0	654.0	457.0	222.5	36.0	60.0	64.4	18.0	1/2"	14.5	385.6	0.09	-0.34	269.59
CQP-030-385*/O1-A	F16	621.0	119.0	740.0	465.0	226.5	22.0	60.0	64.4	18.0	1/2"	19.8	376.1	-1.27	-0.04	305.39
CQP-030-435*/O1-A	F16	621.0	119.0	740.0	515.0	251.5	22.0	60.0	64.4	18.0	1/2"	25.3	422.2	-1.17	-0.13	307.54
CQP-030-450*/O1-A	F16	621.0	119.0	740.0	530.0	259.0	22.0	60.0	64.4	18.0	1/2"	27.1	438.4	-1.15	-0.12	308.08
CQP-030-385*/O1-B	F16	635.0	119.0	754.0	442.0	215.0	36.0	60.0	64.4	18.0	1/2"	19.8	459.1	-0.98	-0.18	316.04
CQP-030-435*/O1-B	F16	635.0	119.0	754.0	492.0	240.0	36.0	60.0	64.4	18.0	1/2"	25.3	514.9	-0.75	-0.10	316.31
CQP-030-450*/O1-B	F16	635.0	119.0	754.0	507.0	247.5	36.0	60.0	64.4	18.0	1/2"	27.1	531.8	-0.93	-0.03	316.44
CQP-040-435*/O1-A	F25	713.0	129.5	842.5	514.0	252.0	21.5	72.0	76.9	20.0	1/2"	31.5	537.4	0.88	-0.39	348.90
CQP-040-485*/O1-A	F25	713.0	129.5	842.5	565.0	277.5	21.5	72.0	76.9	20.0	1/2"	33.8	597.5	0.77	-0.30	354.13
CQP-040-500*/O1-A	F25	713.0	129.5	842.5	580.0	285.0	21.5	72.0	76.9	20.0	1/2"	35.9	609.2	0.75	-0.48	354.75
CQP-040-435*/O1-B	F25	729.0	129.5	858.5	492.0	240.0	36.5	72.0	76.9	20.0	1/2"	27.2	645.0	0.71	-0.30	359.56
CQP-040-485*/O1-B	F25	729.0	129.5	858.5	542.0	266.0	36.5	72.0	76.9	20.0	1/2"	33.8	713.1	0.26	0.78	361.99
CQP-040-500*/O1-B	F25	729.0	129.5	858.5	561.0	275.5	36.5	72.0	76.9	20.0	1/2"	35.9	752.5	0.63	-0.27	362.44
CQP-050-485*/O1-A	F30	882.0	159.5	1041.5	570.0	280.5	23.0	98.0	104.4	28.0	1"	49.1	765.1	-1.16	-0.18	440.66
CQP-050-520*/O1-A	F30	882.0	159.5	1041.5	602.0	297.0	23.0	98.0	104.4	28.0	1"	56.4	802.8	-1.13	-0.18	443.37
CQP-050-560*/O1-A	F30	882.0	159.5	1041.5	642.0	317.0	23.0	98.0	104.4	28.0	1"	65.4	849.9	-1.11	-0.13	445.72
CQP-050-485*/O1-B	F30	897.0	159.5	1056.5	544.0	267.0	33.5	98.0	104.4	28.0	1"	49.1	931.9	-0.92	-0.17	449.19
CQP-050-520*/O1-B	F30	897.0	159.5	1056.5	579.0	285.0	33.5	98.0	104.4	28.0	1"	56.4	985.7	-0.88	-0.14	450.26
CQP-050-560*/O1-B	F30	897.0	159.5	1056.5	619.0	305.0	33.5	98.0	104.4	28.0	1"	65.4	1051.2	-0.83	-0.15	451.16
CQP-060-585*/O1-A	F30	936.0	167.0	1103.0	680.0	336.0	23.5	98.0	104.4	28.0	1"	70.8	1179.1	0.09	-0.53	453.05
CQP-060-635*/O1-A	F30	936.0	167.0	1103.0	730.0	361.0	23.5	98.0	104.4	28.0	1"	83.4	1305.5	0.06	-0.43	461.53
CQP-060-685*/O1-A	F30	936.0	167.0	1103.0	780.0	386.0	23.5	98.0	104.4	28.0	1"	97.0	1407.4	0.04	-0.44	469.33
CQP-060-585*/O1-B	F30	947.0	167.0	1114.0	646.0	319.0	34.0	98.0	104.4	28.0	1"	70.8	1391.4	0.07	-0.43	463.48
CQP-060-635*/O1-B	F30	947.0	167.0	1114.0	696.0	344.0	34.0	98.0	104.4	28.0	1"	83.4	1497.4	0.08	-0.42	468.63
CQP-060-685*/O1-B	F30	947.0	167.0	1114.0	746.0	369.0	34.0	98.0	104.4	28.0	1"	97.0	1614.6	0.08	-0.35	474.17
CQP-070-685*/O1-A	F35	1007.0	169.0	1176.0	780.0	386.0	27.0	160.0	169.4	40.0	1"	97.6	1563.1	-1.84	0.07	510.54
CQP-070-735*/O1-A	F35	1007.0	169.0	1176.0	835.0	413.5	27.0	160.0	169.4	40.0	1"	112.4	1690.9	-1.80	0.15	517.10
CQP-070-785*/O1-A	F35	1007.0	169.0	1176.0	890.0	441.0	27.0	160.0	169.4	40.0	1"	128.2	1847.3	-1.67	0.14	525.18
CQP-070-685*/O1-B	F35	1014.5	169.0	1183.5	746.0	369.0	34.5	160.0	169.4	40.0	1"	97.6	1769.8	-1.61	0.15	516.01
CQP-070-735*/O1-B	F35	1014.5	169.0	1183.5	796.0	394.0	34.5	160.0	169.4	40.0	1"	112.4	1903.3	-1.36	-0.14	520.78
CQP-070-785*/O1-B	F35	1014.5	169.0	1183.5	846.0	419.0	34.5	160.0	169.4	40.0	1"	128.2	2052.3	-1.47	0.10	526.79
CQP-080-785*/O1-A	F35	1107.0	171.0	1278.0	890.0	441.0	27.0	160.0	169.4	40.0	1"	135.1	2042.3	0.33	0.23	564.18
CQP-080-835*/O1-A	F35	1107.0	171.0	1278.0	952.0	472.0	27.0	160.0	169.4	40.0	1"	152.8	2223.2	0.26	0.37	571.22
CQP-080-885*/O1-A	F35	1107.0	171.0	1278.0	1010.0	501.0	27.0	160.0	169.4	40.0	1"	171.7	2400.7	0.37	0.09	577.02
CQP-080-785*/O1-B	F35	1114.5	171.0	1285.5	850.0	421.0	34.5	160.0	169.4	40.0	1"	135.1	2301.1	0.33	-0.26	569.90
CQP-080-835*/O1-B	F35	1114.5	171.0	1285.5	896.0	444.0	34.5	160.0	169.4	40.0	1"	152.8	2434.8	0.35	0.23	574.41
CQP-080-885*/O1-B	F35	1114.5	171.0	1285.5	946.0	469.0	34.5	160.0	169.4	40.0	1"	171.7	2607.8	0.31	0.24	578.88
CQP-090-937*/O1-A	F40	1233.0	176.5	1409.5	1095.0	543.5	30.0	180.0	190.4	45.0	1"	217.2	3535.8	0.20	-0.52	634.62
CQP-090-940*/O1-A	F40	1233.0	176.5	1409.5	1160.0	576.0	30.0	180.0	190.4	45.0	1"	246.8	3812.0	0.16	-0.60	646.72
CQP-090-942*/O1-A	F40	1233.0	176.5	1409.5	1220.0	606.0	30.0	180.0	190.4	45.0	1"	270.9	4179.9	0.51	-0.01	652.71
CQP-090-937*/O1-B	F40	1240.0	176.5	1416.5	1056.0	524.0	37.0	180.0	190.4	45.0	1"	217.2	3898.4	0.18	0.77	638.68
CQP-090-940*/O1-B	F40	1240.0	176.5	1416.5	1119.0	555.5	37.0	180.0	190.4	45.0	1"	246.8	4220.1	0.21	-0.66	647.75
CQP-090-942*/O1-B	F40	1240.0	176.5	1416.5	1169.0	580.5	37.0	180.0	190.4	45.0	1"	270.9	4492.8	0.41	0.18	652.90

-A at the end of the actuator code refers to Type A assembly shown at page 2
 -B at the end of the actuator code refers to Type B assembly shown at page 3

ACTUATOR MODEL	ISO 5211 FLANGE TYPE	ACTUATOR OVERALL DIMENSIONS				LIMIT SWITCH BOX MOUNTING DETAILS		VALVE COUPLING DIMENSIONS			M (NPT)	DISPL. (l)	WEIGHT (kg)	CENTER OF GRAVITY		
		A	B	C	Ø D	E	E1	Ø J (H9 Fit)	K ₀ ^{0.2}	L (D10 Fit)				Xg	Yg	Zg
CQP-010-300*/D1-A	F14	411.0	105.0	516.0	380.0	183.0	18.5	50.0	54.3	16.0	1/2"	14.7	153.2	-0.24	0.16	214.37
CQP-010-320*/D1-A	F14	411.0	105.0	516.0	400.0	194.0	18.5	50.0	54.3	16.0	1/2"	17.6	161.3	-0.23	0.3	215.28
CQP-010-350*/D1-A	F14	411.0	105.0	516.0	432.0	210.0	18.5	50.0	54.3	16.0	1/2"	22.3	179.9	-0.22	0.25	215.64
CQP-010-300*/D1-B	F14	425.5	105.0	530.5	349.0	166.5	33.0	50.0	54.3	16.0	1/2"	14.7	179.7	-0.16	0.29	220.99
CQP-010-320*/D1-B	F14	425.5	105.0	530.5	373.0	179.5	33.0	50.0	54.3	16.0	1/2"	17.6	200.5	-0.14	0.25	221.18
CQP-010-350*/D1-B	F14	425.5	105.0	530.5	407.0	196.5	33.0	50.0	54.3	16.0	1/2"	22.3	230.5	-0.15	0.18	221.5
CQP-020-350*/D1-A	F16	524.0	116.0	640.0	432.0	209.5	22.0	60.0	64.4	18.0	1/2"	27.1	337.5	-0.22	0.21	259
CQP-020-385*/D1-A	F16	524.0	116.0	640.0	465.0	226.5	22.0	60.0	64.4	18.0	1/2"	33.0	261.0	-0.31	0.2	260.17
CQP-020-400*/D1-A	F16	524.0	116.0	640.0	480.0	234.5	22.0	60.0	64.4	18.0	1/2"	36.5	274.2	-0.29	0.19	260.41
CQP-020-350*/D1-B	F16	538.0	116.0	654.0	407.0	197.0	36.0	60.0	64.4	18.0	1/2"	25.4	299.3	-0.14	0.12	270.28
CQP-020-385*/D1-B	F16	538.0	116.0	654.0	442.0	215.0	36.0	60.0	64.4	18.0	1/2"	33.0	332.2	-0.22	0.12	270.12
CQP-020-400*/D1-B	F16	538.0	116.0	654.0	457.0	222.5	36.0	60.0	64.4	18.0	1/2"	36.5	347.3	-0.2	0.12	269.87
CQP-030-385*/D1-A	F16	621.0	119.0	740.0	465.0	226.5	22.0	60.0	64.4	18.0	1/2"	39.2	320.1	-0.47	0.28	306.72
CQP-030-435*/D1-A	F16	621.0	119.0	740.0	515.0	251.5	22.0	60.0	64.4	18.0	1/2"	54.9	366.2	-0.45	0.14	309.03
CQP-030-450*/D1-A	F16	621.0	119.0	740.0	530.0	259.0	22.0	60.0	64.4	18.0	1/2"	60.0	382.5	-0.47	0.14	309.59
CQP-030-385*/D1-B	F16	635.0	119.0	754.0	442.0	215.0	36.0	60.0	64.4	18.0	1/2"	39.2	403.1	-0.3	0.07	316.63
CQP-030-435*/D1-B	F16	635.0	119.0	754.0	492.0	240.0	36.0	60.0	64.4	18.0	1/2"	54.9	459.0	-0.13	0.12	316.86
CQP-030-450*/D1-B	F16	635.0	119.0	754.0	507.0	247.5	36.0	60.0	64.4	18.0	1/2"	60.0	475.8	-0.35	0.19	316.99
CQP-040-435*/D1-A	F25	713.0	129.5	842.5	514.0	252.0	21.5	72.0	76.9	20.0	1/2"	56.0	453.0	-0.11	0.05	350.77
CQP-040-485*/D1-A	F25	713.0	129.5	842.5	565.0	277.5	21.5	72.0	76.9	20.0	1/2"	71.2	513.0	-0.12	0.1	356.63
CQP-040-500*/D1-A	F25	713.0	129.5	842.5	580.0	285.0	21.5	72.0	76.9	20.0	1/2"	77.5	524.8	-0.13	-0.12	357.28
CQP-040-435*/D1-B	F25	729.0	129.5	858.5	492.0	240.0	36.5	72.0	76.9	20.0	1/2"	51.6	560.6	-0.12	0.07	360.27
CQP-040-485*/D1-B	F25	729.0	129.5	858.5	542.0	266.0	36.5	72.0	76.9	20.0	1/2"	71.2	628.7	-0.08	0.05	362.93
CQP-040-500*/D1-B	F25	729.0	129.5	858.5	561.0	275.5	36.5	72.0	76.9	20.0	1/2"	77.5	668.1	-0.08	0.05	363.38
CQP-050-485*/D1-A	F30	882.0	159.5	1041.5	570.0	280.5	23.0	98.0	104.4	28.0	1"	92.3	622.3	-0.33	0.01	445.87
CQP-050-520*/D1-A	F30	882.0	159.5	1041.5	602.0	297.0	23.0	98.0	104.4	28.0	1"	112.5	660.0	-0.34	0	448.74
CQP-050-560*/D1-A	F30	882.0	159.5	1041.5	642.0	317.0	23.0	98.0	104.4	28.0	1"	137.4	707.1	-0.37	0.01	451.2
CQP-050-485*/D1-B	F30	897.0	159.5	1056.5	544.0	267.0	33.5	98.0	104.4	28.0	1"	92.3	789.1	-0.21	-0.02	451.95
CQP-050-520*/D1-B	F30	897.0	159.5	1056.5	579.0	285.0	33.5	98.0	104.4	28.0	1"	112.5	842.9	-0.22	0.01	453.09
CQP-050-560*/D1-B	F30	897.0	159.5	1056.5	619.0	305.0	33.5	98.0	104.4	28.0	1"	137.4	908.4	-0.22	-0.01	453.92
CQP-060-585*/D1-A	F30	936.0	167.0	1103.0	680.0	336.0	23.5	98.0	104.4	28.0	1"	137.1	954.3	-0.26	-0.01	455.89
CQP-060-635*/D1-A	F30	936.0	167.0	1103.0	730.0	361.0	23.5	98.0	104.4	28.0	1"	173.5	1080.7	-0.25	0.05	465.81
CQP-060-685*/D1-A	F30	936.0	167.0	1103.0	780.0	386.0	23.5	98.0	104.4	28.0	1"	212.9	1182.6	-0.26	0	474.72
CQP-060-585*/D1-B	F30	947.0	167.0	1114.0	646.0	319.0	34.0	98.0	104.4	28.0	1"	137.1	1166.6	-0.23	0.02	465.69
CQP-060-635*/D1-B	F30	947.0	167.0	1114.0	696.0	344.0	34.0	98.0	104.4	28.0	1"	173.5	1272.5	-0.19	-0.01	471.57
CQP-060-685*/D1-B	F30	947.0	167.0	1114.0	746.0	369.0	34.0	98.0	104.4	28.0	1"	212.9	1389.8	-0.17	0.04	477.75
CQP-070-685*/D1-A	F35	1007.0	169.0	1176.0	780.0	386.0	27.0	160.0	169.4	40.0	1"	221.6	1255.2	-0.27	-0.13	519.75
CQP-070-735*/D1-A	F35	1007.0	169.0	1176.0	835.0	413.5	27.0	160.0	169.4	40.0	1"	266.5	1383.0	-0.36	-0.02	526.91
CQP-070-785*/D1-A	F35	1007.0	169.0	1176.0	890.0	441.0	27.0	160.0	169.4	40.0	1"	314.5	1539.4	-0.35	-0.01	535.62
CQP-070-685*/D1-B	F35	1014.5	169.0	1183.5	746.0	369.0	34.5	160.0	169.4	40.0	1"	221.6	1462.0	-0.21	-0.01	523.48
CQP-070-735*/D1-B	F35	1014.5	169.0	1183.5	796.0	394.0	34.5	160.0	169.4	40.0	1"	266.5	1595.5	-0.03	-0.34	528.55
CQP-070-785*/D1-B	F35	1014.5	169.0	1183.5	846.0	419.0	34.5	160.0	169.4	40.0	1"	314.5	1744.4	-0.28	-0.05	534.95
CQP-080-785*/D1-A	F35	1107.0	171.0	1278.0	890.0	441.0	27.0	160.0	169.4	40.0	1"	332.7	1723.7	-0.31	-0.13	571.98
CQP-080-835*/D1-A	F35	1107.0	171.0	1278.0	952.0	472.0	27.0	160.0	169.4	40.0	1"	388.7	1904.5	-0.32	0.07	579.45
CQP-080-885*/D1-A	F35	1107.0	171.0	1278.0	1010.0	501.0	27.0	160.0	169.4	40.0	1"	448.2	2082.1	-0.15	-0.23	585.44
CQP-080-785*/D1-B	F35	1114.5	171.0	1285.5	850.0	421.0	34.5	160.0	169.4	40.0	1"	332.7	1982.5	-0.22	-0.65	576.39
CQP-080-835*/D1-B	F35	1114.5	171.0	1285.5	896.0	444.0	34.5	160.0	169.4	40.0	1"	388.7	2116.2	-0.17	-0.07	581.17
CQP-080-885*/D1-B	F35	1114.5	171.0	1285.5	946.0	469.0	34.5	160.0	169.4	40.0	1"	448.2	2116.2	-0.17	-0.07	581.17
CQP-090-937*/D1-A	F40	1233.0	176.5	1409.5	1095.0	543.5	30.0	180.0	190.4	45.0	1"	601.5	2971.1	-0.21	0.16	645.39
CQP-090-940*/D1-A	F40	1233.0	176.5	1409.5	1160.0	576.0	30.0	180.0	190.4	45.0	1"	699.3	3247.4	-0.21	0	658.67
CQP-090-942*/D1-A	F40	1233.0	176.5	1409.5	1220.0	606.0	30.0	180.0	190.4	45.0	1"	778.7	3615.2	-0.14	0	664.38
CQP-090-937*/D1-B	F40	1240.0	176.5	1416.5	1056.0	524.0	37.0	180.0	190.4	45.0	1"	601.5	3333.7	-0.48	0.51	647.78
CQP-090-940*/D1-B	F40	1240.0	176.5	1416.5	1119.0	555.5	37.0	180.0	190.4	45.0	1"	699.3	3655.4	-0.11	-0.14	657.44
CQP-090-942*/D1-B	F40	1240.0	176.5	1416.5	1169.0	580.5	37.0	180.0	190.4	45.0	1"	778.7	3928.1	-0.11	-0.13	662.66

-A at the end of the actuator code refers to Type A assembly shown at page 2
 -B at the end of the actuator code refers to Type B assembly shown at page 3