

rotork® Fluid Systems

CQ Range actuators provide a unique solution for confined installations

The CQ range provides an innovative fully-concentric and balanced actuator design for quarter-turn valves. The design features a helical mechanism that transforms linear piston motion into quarter-turn valve stem rotation. CQ actuators provide a much higher torque output for a given footprint than scotch-yoke designs typically utilised to operate many quarter-turn valve types. It is therefore ideally suited for installation in confined spaces. Further, Rotork's unique helical cam follower bearing design provides higher efficiency than a helical gear mechanism utilised by other valve actuator manufacturers.

As standard, the CQ torque output profile, like that of a scotch-yoke actuator, is engineered to parallel the torque demand profile typically found with popular quarter-turn valve types. The CQ design however is unique in that the torque profile can be custom engineered and manufactured to meet non-standard valve torque requirements.

The standard CQ range is designed for applications requiring a pneumatically powered actuator with a torque demand of up to 150,000 Nm. Upon request we can also provide CQ actuators with higher torque outputs for both pneumatic or hydraulic supplies where required.

A variety of options and accessories are available to make the CQ range a perfect choice for virtually any quarter-turn application with challenging space requirements.



CQ Range Compact Actuators

Supply Medium

- Instrument air; mineral oil; sweet, clean and dry natural gas; nitrogen

Operating Pressure

- Pneumatic: Up to 7 bar (101.5 psi)

Torque Output

- Standard: 150,000 Nm (1.3m lbf.in)
Higher outputs upon request

Temperature Range

- Standard: -30 to 100 °C (-22 to 212 °F)
- PED Compliant: -20 to 160 °C (-4 to 320 °F)
- Low: -40 to 160 °C (-40 to 320 °F)
- Extreme Low: -60 to 160 °C (-76 to 320 °F)

Stroke Adjustment

- Standard: 90° ±5°
Custom rotations beyond 90° upon request

Certification

- IP66/IP68, PED, ATEX, IEC Ex, EAC
- Suitable for use at SIL3 as a single device in accordance with IEC 61508.

Environmental Protection

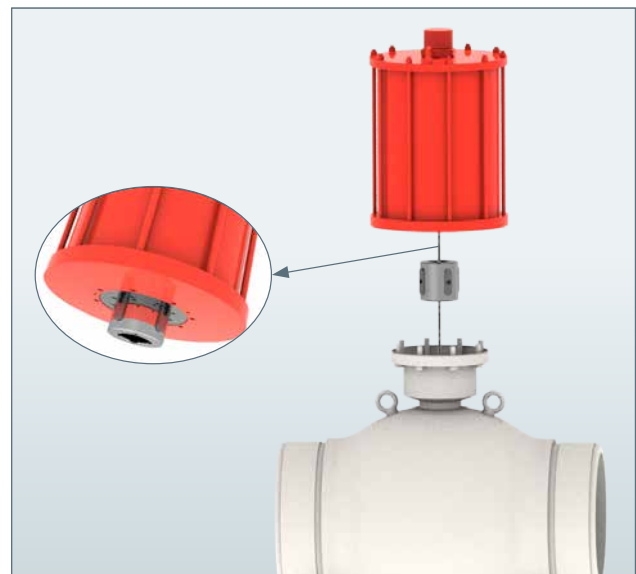
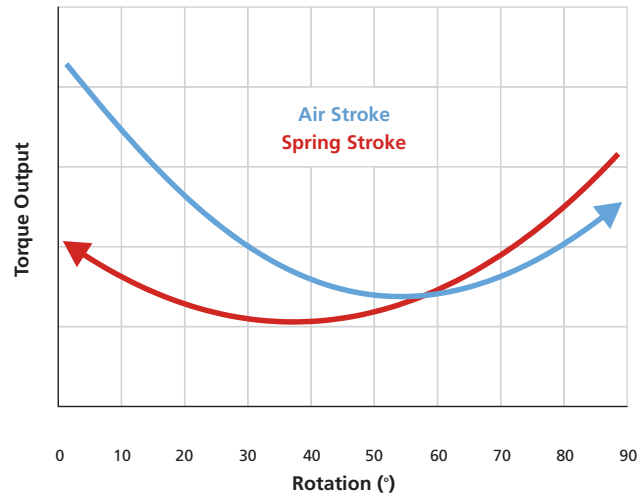
- The completely enclosed design provides optimum resistance to corrosive environments. Epoxy paint is standard. Power cylinders are internally coated to further enhance corrosion protection.

Design Benefits

- High Torque Output For Package Size**
 The smallest footprint and envelope dimensions of any actuator type for a given torque output. Valve adaption is normally accommodated within the actuator envelope further reducing space requirements.
- Ease of Installation and Removal**
 The concentric design provides even weight distribution that facilitates installation and removal as well as minimal load stress on the valve.
- Ease of Maintenance**
 Designed with maintenance in mind, disassembly and access to internal components is safe and easy.

See publication PUB119-011 for further details.

CQ Range Actuator Typical Torque Output Profile



A full listing of the Rotork sales and service network is available on our website.

www.rotork.com

Corporate Headquarters
 Rotork plc
 tel +44 (0)1225 733200
 fax +44 (0)1225 333467
 email mail@rotork.com

Controls
 Electric Actuators and Control Systems

Fluid Systems
 Fluid Power Actuators and Control Systems

Gears
 Gearboxes and Gear Operators

Instruments
 Precision Control and Indication

Site Services
 Projects, Services and Retrofit