



Keeping the World Flowing
for Future Generations

Rotork manufacture pneumatic semi-rotary slide valves with lever, key or switch operation, for heavy industrial applications including rail, offshore and mining.

- Heavy duty
- 2/2, 3/2 and 4/2, 2 position detent or spring-return
- 4/3, 3 position detent or spring to centre
- Available in stainless steel or aluminium
- Lever, key or switch operated
- Plate assembly available
- Maintenance free

Working temperature range

- -40 to +70 °C (-40 to +158 °F)

Maximum flow

- At 6 bar (87 psi), 1 bar (14.5 psi) differential 700 l/min (24.7 SCFM)

Working pressure (gases)

- 0 to 10 bar (0 to 145 psi)

Ports BSP (NPT option available)

- 1/4" BSP

Construction materials

- Body: Aluminium or stainless steel¹
- Slide carrier, springs: 316 stainless steel
- Seals: Nitrile
- Graphite filled PTFE slide

Cv (Kv)

- 0.7 (0.6)

Media

- Neutral, gaseous and liquid fluids

¹ Other materials available upon request. Please consult the factory.



Fluoslide

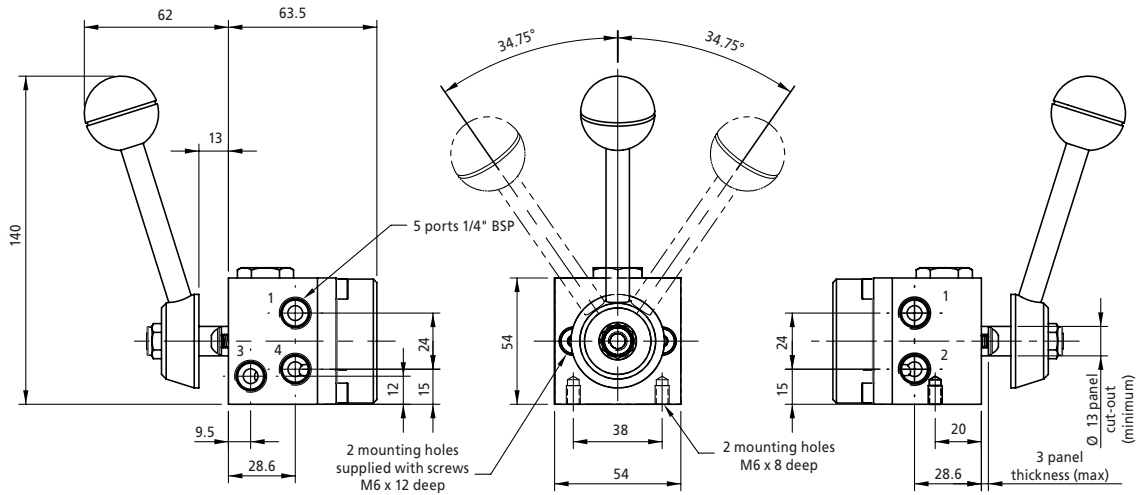
Semi-rotary pneumatic control valves
Lever, key or switch operated



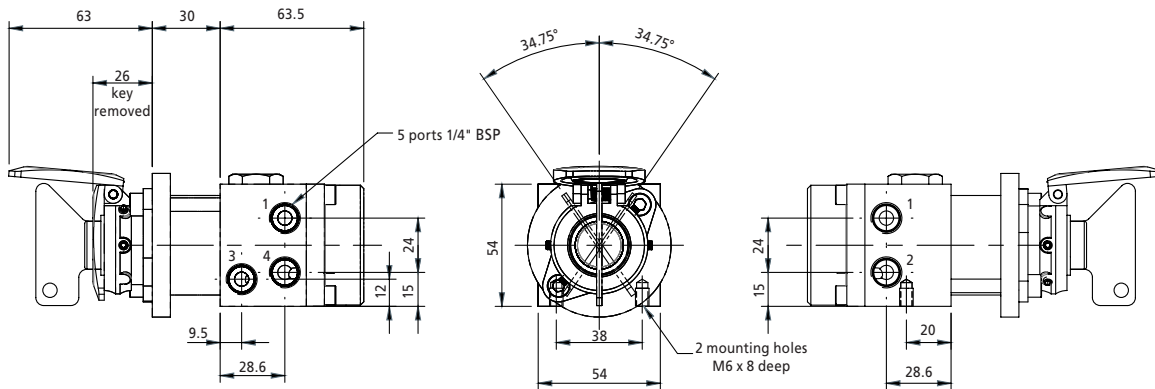
MIDLAND-ACS
A rotork Brand

Semi-rotary pneumatic control valves – Lever, key or switch operated

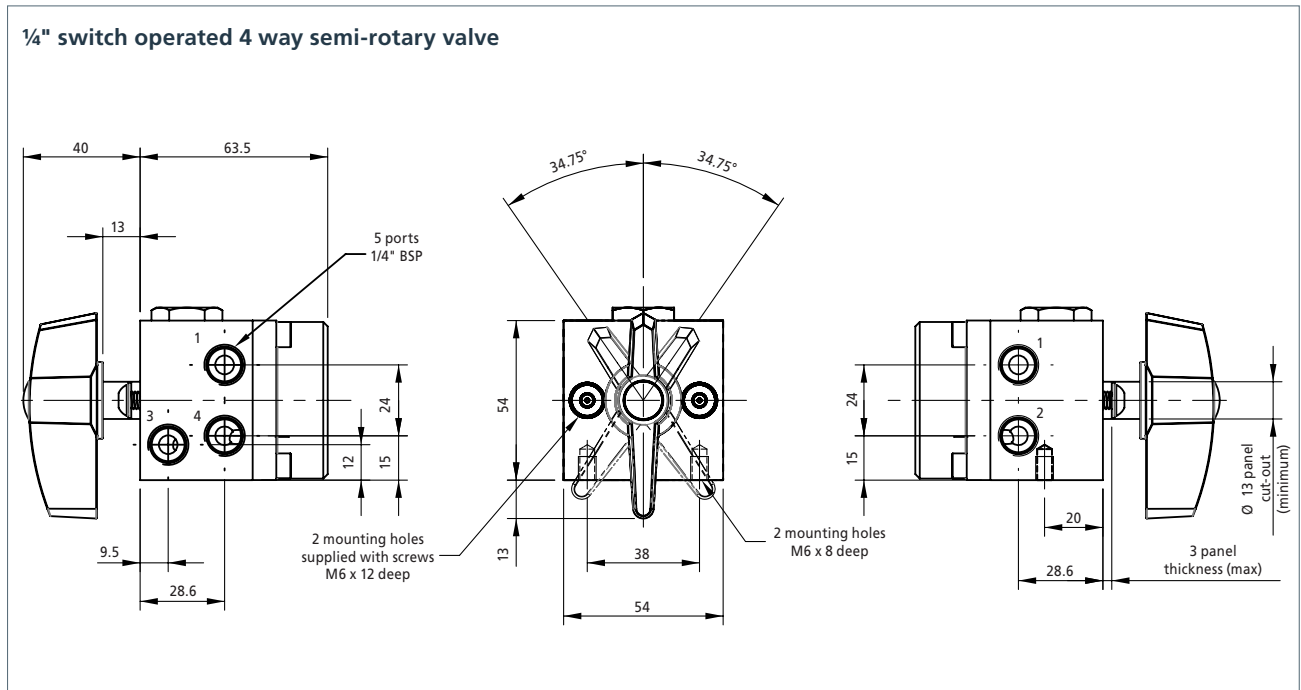
1/4" lever operated 4 way semi-rotary valve



1/4" key operated 4 way semi-rotary valve



Semi-rotary pneumatic control valves – Lever, key or switch operated



Symbols

Description	Type	Symbol	Type	Symbol	Type	Symbol
2 position positive (4/2)	Lever		Key		Switch	
2 position auto reset (4/2)						
3 position positive, pressure release neutral (4/3)						
3 position positive, pressure held neutral (4/3)						
3 position self centre, pressure release neutral (4/3)						
3 position self centre, pressure held neutral (4/3)						

Note: For 2/2 & 3/2 configurations relative ports to be plugged.

Ordering information

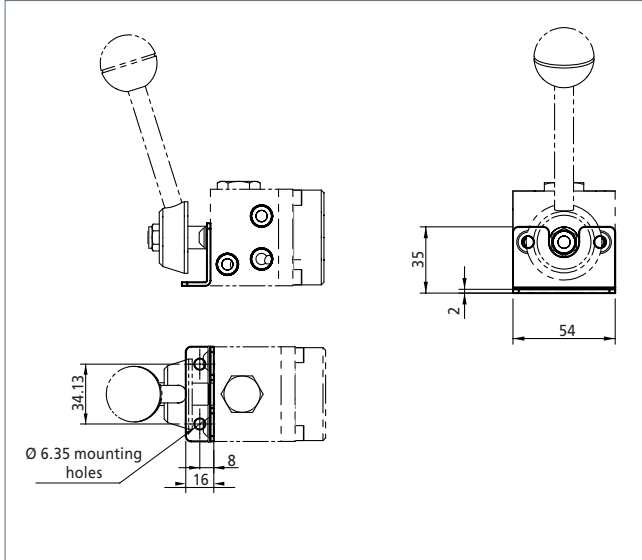
Valve size	Ports	Positions ¹	Type	Function	Operator left	Operator right	Accessories ²	Material/Style	Port type	Port style	
2	1/4"	4	2	Semi-rotary	B Bistable M Mono stable E Positive PRN D Positive PHN R Self centering PRN H Self centering PHN	0 Switch 9 Key 5 Lever	0 Switch 9 Key 5 Lever	5 Panel mounted 7 Mounting flange - Foot mounting bracket	AB Aluminium/Nitrile BV style BB Brass/Nitrile BV style SA Stainless steel/Nitrile AV style	1 BSP 2 NPT	B Body ported
2	4	•	2	•	•	•	•	••	•	B	

¹ For 2 positions select Function B or M only.

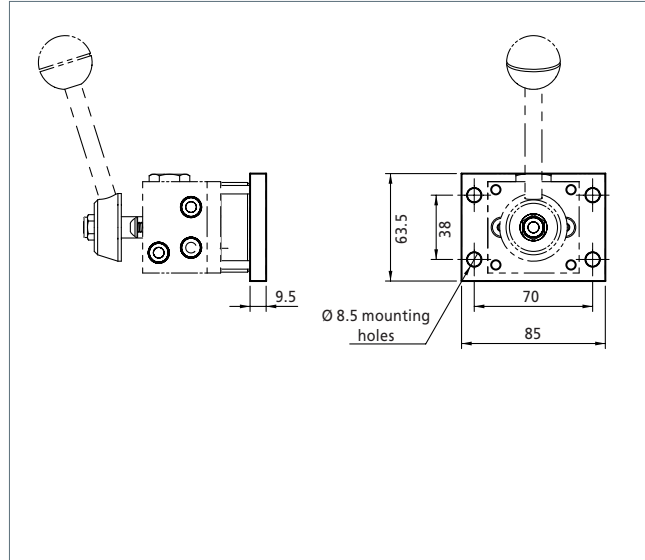
² Foot mounting bracket available with 'Lever' option only.

Accessories

Foot mounting bracket¹



Mounting flange



Accessories available separately see ordering details below:

Description	Part number
Foot mounting bracket ¹	BV270/1-2
Mounting flange	SPV2/573-2A

¹ Available with Lever option only.

MIDLAND-ACS
A rotork® Brand

A full listing of the Rotork sales and service network is available on our website.

www.rotork.com

Corporate Headquarters
Rotork plc

tel +44 (0)1225 733200
email mail@rotork.com

rotork®

Electric Actuators and Control Systems
Fluid Power Actuators and Control Systems
Gearboxes and Gear Operators
Precision Control and Indication
Projects, Services and Retrofit