



Pressure Switch

G $\frac{1}{4}$ " or $\frac{1}{4}$ " NPT

Rotork manufacture pressure sensing components to operate in high vibration areas with accurate repeatability giving reliable performance. For use in multiple applications.

- Ambient Temperature Range -40 to +85 °C
- Accurate, Repeatable, Durable
- Tested in accordance with EN 61373 (Category 1 Class B) shock and vibration testing
- Four Pressure ratings – compact and lightweight
- Corrosion Resistance, Salt Mist Test ISO 9227

Ambient Temperature Range

- -40 to +85 °C (-40 to +185 °F)

Maximum Inlet Pressure

- 24 bar

Adjustable Working Pressure Ranges

- 0.2 to 2 bar (2.9 - 29 psi)
- 0.5 to 8 bar (7.3 - 116 psi)
- 1.0 to 10 bar (14.5 - 145 psi)
- 1.6 to 16 bar (23.2 - 232 psi)

Life Expectancy

- $\geq 10^7$ switching cycles at 60 cycles/minute (mechanical life / no electrical load)
- $\geq 2 \times 10^5$ switching cycles at 20 cycles/minute (electrical life / 100 mA electrical load)

Degree of Protection

- IP65 in accordance with EN 60529 (including electrical connections)

Mounting Position

- All orientations
- 2 off \varnothing 5.3 mm dia through holes

Performance Data

Switching Pressure Hysteresis

Maximum hysteresis between rising and falling switch pressures across complete operating conditions:

- (0.2 to 2 bar) – 0.35 bar MAX.
(2.9 to 29.0 psi) – 5.1 psi MAX
- (0.5 to 8 bar) – 1.0 bar MAX.
(7.3 to 116.0 psi) – 14.5 psi MAX
- (1.0 to 10 bar) – 1.2 bar MAX.
(14.5 to 145.0 psi) – 17.4 psi MAX
- (1.6 to 16 bar) – 1.8 bar MAX.
(23.2 to 232.1 psi) – 26.1 psi MAX

Max Operating Cycle Rate

- 300 cycles/minute (no electrical load)

Repeatability

Repeatability at static operating conditions (units set to midpoint switching pressure):

- (0.2 to 2 bar) – ± 0.05 bar
(2.9 to 29.0 psi) – ± 0.73 psi
- (0.5 to 8 bar) – ± 0.08 bar
(7.3 to 116.0 psi) – ± 1.16 psi
- (1.0 to 10 bar) – ± 0.10 bar
(14.5 to 145.0 psi) – ± 1.45 psi
- (1.6 to 16 bar) – ± 0.10 bar
(23.2 to 232.1 psi) – ± 1.45 psi

Repeatability across complete operating conditions:

- (0.2 to 2 bar) – ± 0.10 bar
(2.9 to 29.0 psi) – ± 1.45 psi
- (0.5 to 8 bar) – ± 0.15 bar
(7.3 to 116.0 psi) – ± 2.18 psi
- (1.0 to 10 bar) – ± 0.25 bar
(14.5 to 145.0 psi) – ± 3.63 psi
- (1.6 to 16 bar) – ± 0.25 bar
(23.2 to 232.1 psi) – ± 3.63 psi

Electrical Ratings

- DC voltage range: 5-30 VDC
- AC voltage range: 5-250 VAC
- Applicable current range: 1 mA to 100 mA

Note: Contact protection is recommended when switches used in an inductive load circuit. Other electrical ranges available on request.

Electrical Connection

- DIN EN 175301-803 (DIN 43650) form A connection

Construction Materials

- Housing Body: Aluminium (anodised)
- Diaphragm: Silicone rubber
- Shaft: Stainless Steel
- Pressure Seals: EPDM, NBR
- External Seals: Silicone, EPDM
- Locking Mechanism: Stainless Steel
- Electrical Connector: PA (Polyamide Nylon)
- Microswitch contacts: Triple layer gold plated (UL & CSA approved)

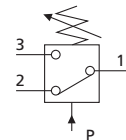


Operating Media

- Neutral, gaseous and liquid fluids, non-combustible.
Air supply must be dry enough to avoid ice formation at temperatures below +2 °C (+35 °F)

Switching Function

- Terminal 1 to 3: on rising pressure contacts close
- Terminal 1 to 2: on rising pressure contacts open



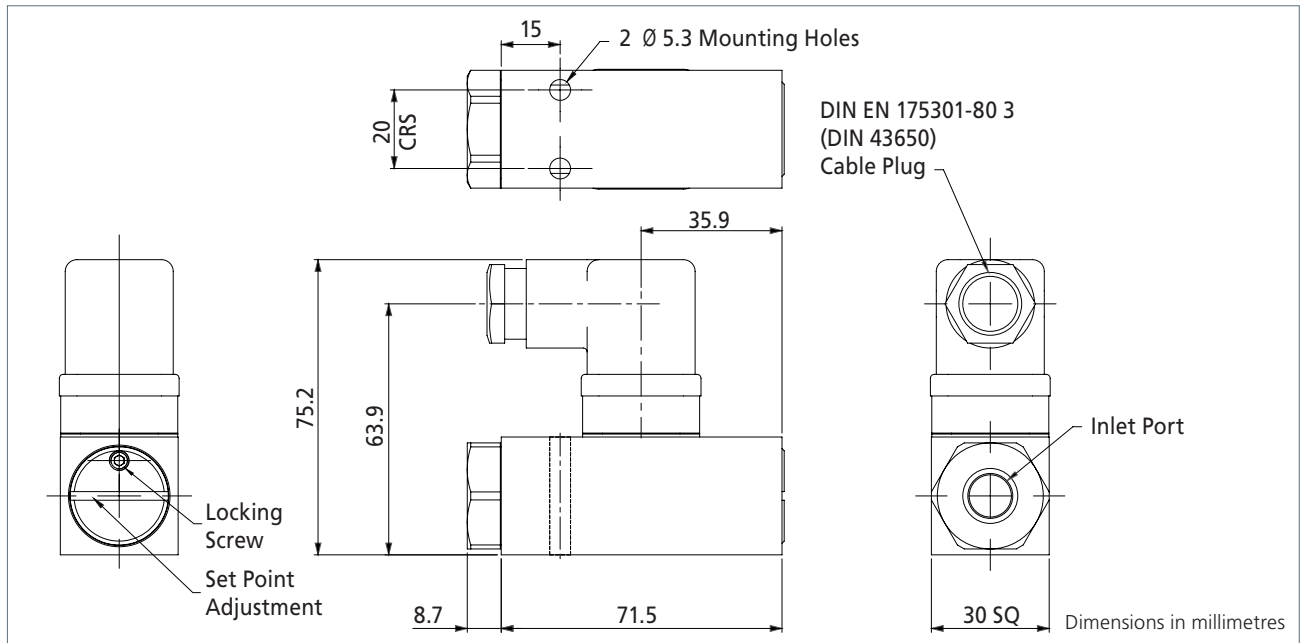
Switch Rating

- 1 mA to 100 mA

Weight

- 203 g (0.45 lbs)

Dimensional Data



Ordering Information

Standard switch assembly

Size		Type		Material		Diaphragm /Pressure Seals		Pressure		Port Style	
2	1/4"	PSE	Pressure Switch	A	Alum	F	Silicone / EPDM / NBR	02	0.2 - 2	1	BSP
								08	0.5 - 8	2	NPT
								10	1 - 10		
								16	1.6 - 16		
2		PSE		A		F		••		•	

Example part number: 2PSEAF021.

Optional extra

Set Pressure			
XXX	Customer Specified*	R	Rising
		F	Falling
•••		•	

* Specify Set Pressure within the range of 0.5 to 16 bar in 0.1 increments (± 0.2 bar). Use three digits to specify Set Pressure e.g. 12.5 bar = 125 and suffix standard part number (Example: 2PSEAF161 125R)

Note:
Standard switch assemblies are un-set ex-works.

Pre-set option available, minimum order quantity applies. Please contact sales for further information

rotork®

Keeping the World Flowing

Pressure Switch

G $\frac{1}{4}$ " or $\frac{1}{4}$ " NPT

MIDLAND-ACS
A rotork® Brand

A full listing of the Rotork sales and service network is available on our website.

www.rotork.com

Rotork Midland Ltd.
tel +44 (0)1902 305678
fax +44 (0)1902 305676
email sales.midland@rotork.com

Controls

Electric Actuators and Control Systems

Fluid Systems

Fluid Power Actuators and Control Systems

Gears

Gearboxes and Gear Operators

Instruments

Precision Control and Indication

Site Services

Projects, Services and Retrofit

PUB117-016-00
Issue 06/18

As part of a process of on-going product development, Rotork reserves the right to amend and change specifications without prior notice. Published data may be subject to change. For the very latest version release, visit our website at www.rotork.com

The name Rotork is a registered trademark. Rotork recognises all registered trademarks. Published and produced in the UK by Rotork Controls Limited. POWTG0718

Rotork is a corporate member of the Institute of Asset Management

