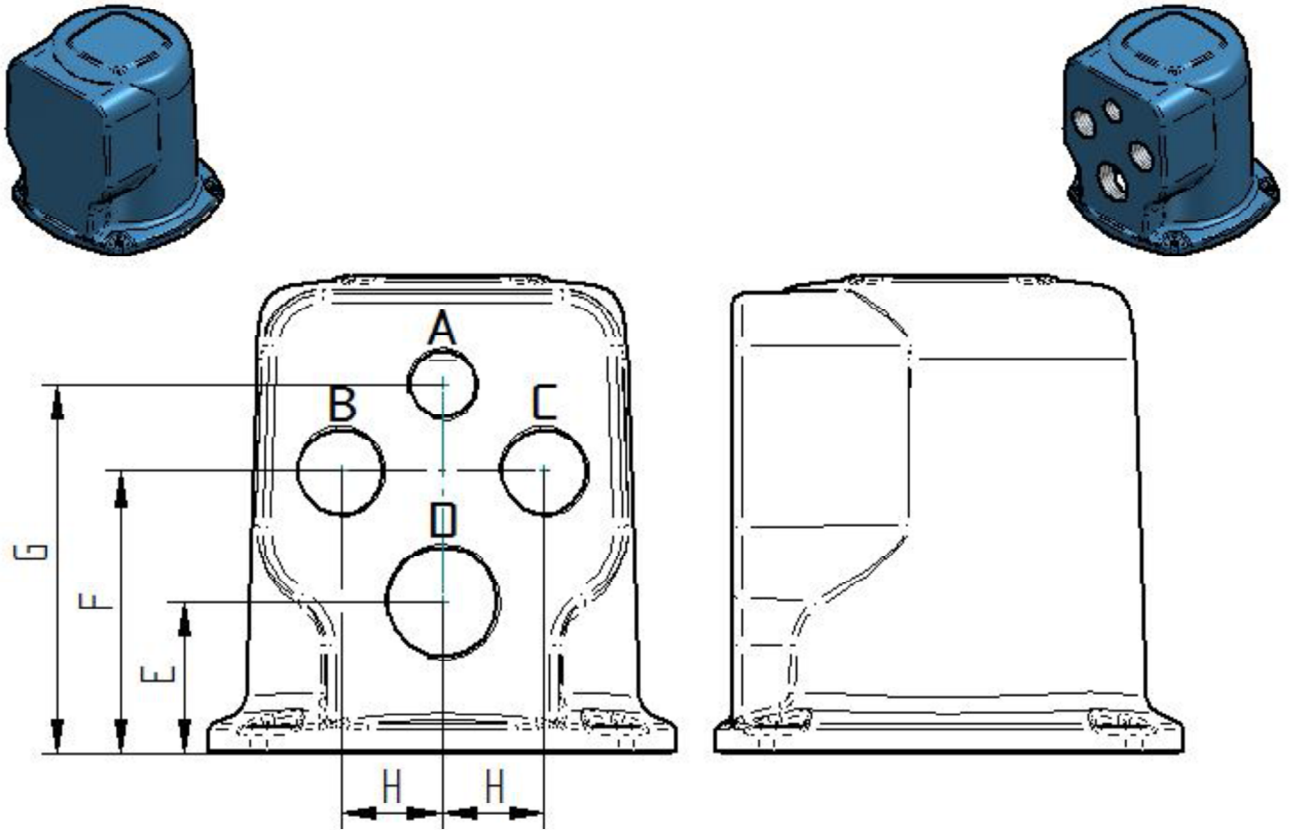


**TITLE: 4 ENTRY OPTION FOR CK PLUG & SOCKET CONNECTOR**  
**MODELS: CK, CKA, CKR, CKRA, CKC, CKRC**

Rotork Controls. All rights reserved. Subject to change without notice. Previous data sheets invalid with the issue of the latest data sheets. Due to production tolerance variation, the electrical values shown are averages compiled from Actuator production test data. Values are therefore provided for guidance only. Individual production tests are available on request (nominal load not included). Rotork Controls underwrite rated torque output only (specified tolerance -0/+10%)



THREAD TYPE				
	METRIC	Pg	NPT	BLANK
A	M20 x 15p	Pg135	3/4-14 NPT	UNMACHINED
B	M25 x 15p	Pg21	1-11.5 NPT	UNMACHINED
C	M25 x 15p	Pg21	1-11.5 NPT	UNMACHINED
D	M32 x 15p	Pg29	1 1/4-11.5 NPT	UNMACHINED
E	42	42	44	N/A
F	78	78	82.5	N/A
G	102	102	109	N/A
H	28	28	28	N/A