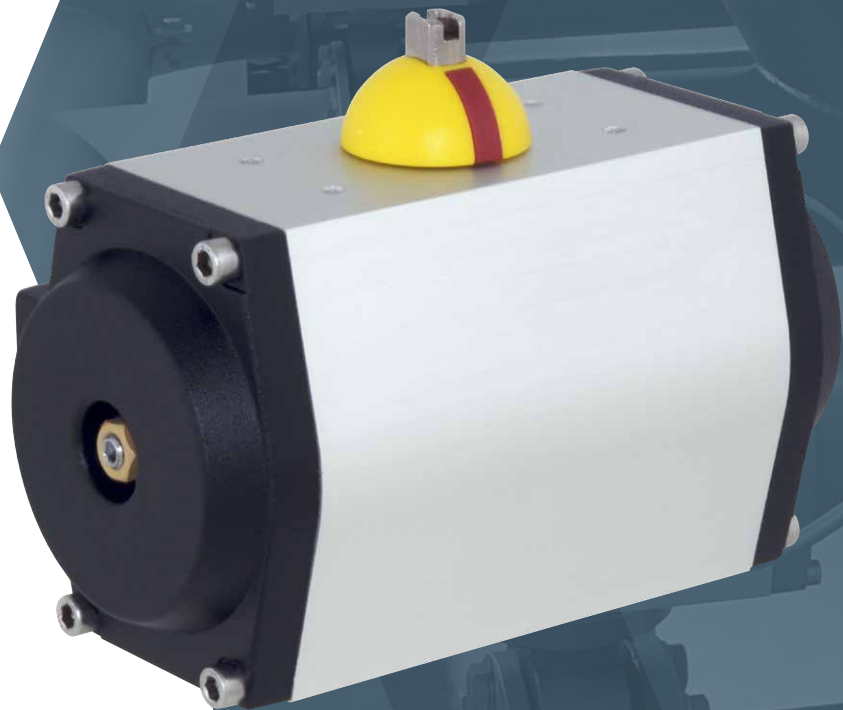


rotork[®]

Keeping the World Flowing
for Future Generations



GT range

Rack and pinion actuators
for rotary valve control

GT range pneumatic rack and pinion actuators have been proven over a 30-year history of service in hundreds of thousands of installations, encompassing a variety of diverse applications.

There are a wide range of body sizes available in both double-acting and spring-return configurations. Units can be easily changed from one to the other – even in the field. In addition to the usual 90 degree rotation, 120, 180, and 240 degree rotations are also available. All models incorporate an anti-blowout design.

Many options are available to optimise the actuator for particular applications. Options include high- and low-temperature versions, anti-corrosion materials and treatments, valve mounting kits, and declutchable manual gear overrides.

We can also supply actuator control and indication components for virtually any functional requirement and installation environment. Accessory mounting conforms to NAMUR specifications and valve mounting dimensions are per ISO 5211 standards.

Rotork can provide a variety of additional services including application engineering, installation and retrofit, as well as maintenance and repair by factory-trained service personnel.

With superior design, material specification, manufacturing precision, and an industry-best global sales and service support network, Rotork GT range actuators are the wisest choice for any rack and pinion valve actuation requirement.

Every Rotork product is built to provide long and efficient service with a minimum of maintenance. The design, engineering and materials used in the construction ensure optimum performance even in the harshest of environments.

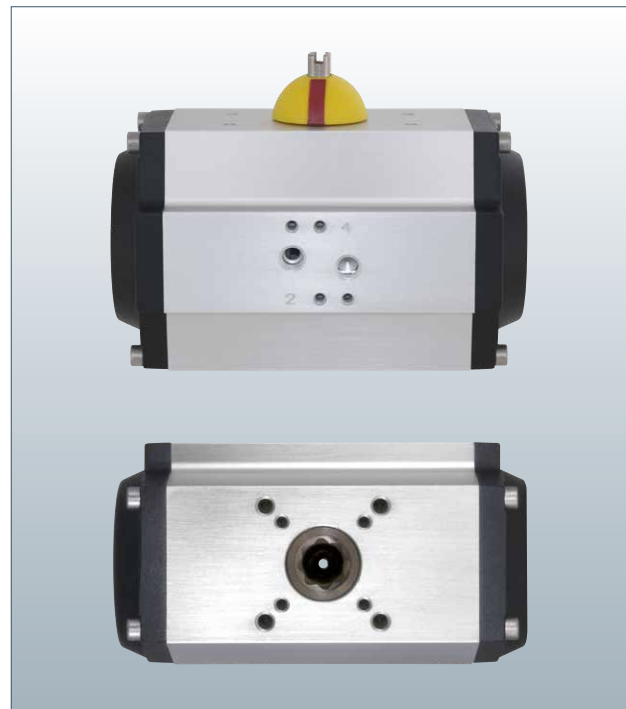
As a global leader in valve actuation technology, we provide a comprehensive range of valve actuators, controls and associated equipment. We also supply a variety of valve actuator services including commissioning, preventive maintenance and retrofit solutions.

Rotork specialises in the production and support of fluid power actuators and control systems. We are dedicated to providing the marketplace with the latest technology, consistently high quality, innovative design, excellent reliability and superior performance.

We maintain dedicated engineering groups for Applications, Product Improvement and New Product Development so that our customers can gain all the benefits that ever-advancing technologies have to offer and to ensure our efforts are in step with the continually evolving needs of our customers.

Most importantly, we have a long-standing commitment to meeting the special needs of a wide range of applications including: oil and gas exploration and transportation; municipal water and wastewater treatment; power generation; and the chemical and process industries.

With over 60 years of engineering and manufacturing expertise, we have hundreds of thousands of successful valve actuator installations throughout the world.



The right accessory solutions

Valves and actuators only perform as well as the solution is engineered. With decades of experience engineering fluid power valve automation for a multitude of applications and markets, you can depend on Rotork to provide a reliable and safe automation solution to meet your requirements.

In addition to the valve actuator itself, Rotork manufactures a wide range of precision flow control and accessory options as well as a variety of gearboxes and override options. We have designs to withstand the challenges of any valve operating environment.



Inside the GT actuator

Every Rotork actuator is built to provide long and efficient service with minimum maintenance. The design, engineering and materials used in their construction ensure optimum performance, even in the harshest of environments.

Supply	Filtered air ISO 8573-1:2010
Optional:	Others on request
Operating pressure	2 to 10 bar (29 to 145 psi)
Torque output	2.4 to 15,300 Nm (21 to 135,400 lbf.in)
Temperature ranges	
Standard:	-50 to +70 °C (-58 to +158 °F) NBR O-ring, Delrin guide
Optional:	-15 to +160 °C (+5 to +320 °F) Viton O-ring, IXEF guide
Optional:	-54° to +70 °C (-65 to +158 °F) Silicone O-ring, PTFE guide
	<i>-60 °C (-76 °F) is available as an engineered solution, please contact Rotork for further details.</i>

Mounting standards

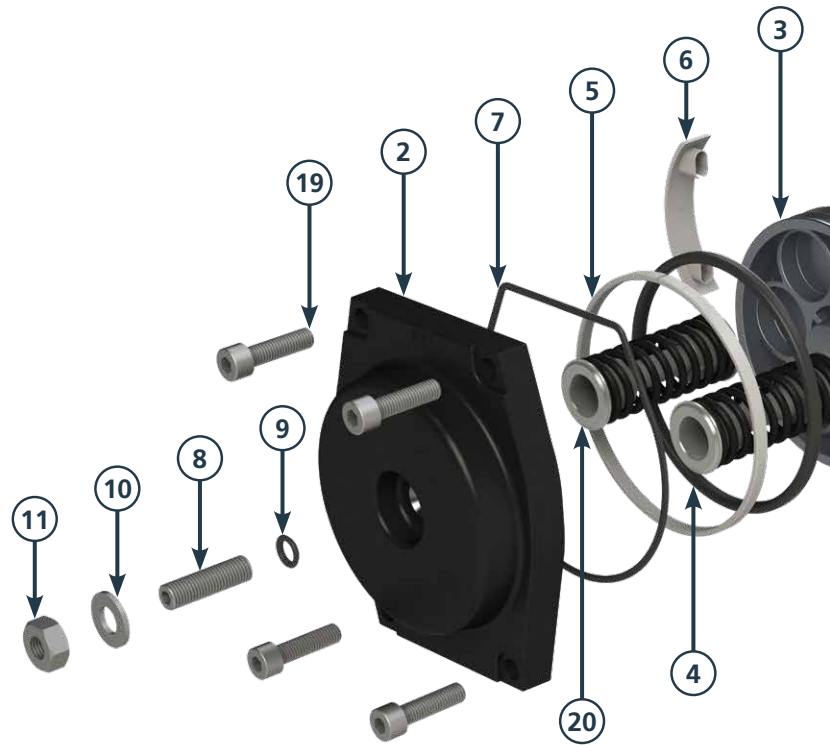
Air supply:	VDI/VDE 3845, NAMUR EN ISO 228 G 1/8" (sizes from 33 to 92) EN ISO 228 G 1/4" (sizes from 110 to 302)
Accessories:	VDI/ VDE 3845, NAMUR
Valve interface:	ISO 5211
Valve shaft interface:	ISO 5211 double square <i>Other interface options available, see Page 9.</i>

Rotation	90°
Optional:	120°, 180°, 240°, or custom angles

Stroke adjustment	-5° to +5° from 90° position Single- or dual-direction travel stops acting upon the piston(s) ¹
Optional:	Extended travel adjustment on the opening stroke is available with installation of a longer stop screw

Materials

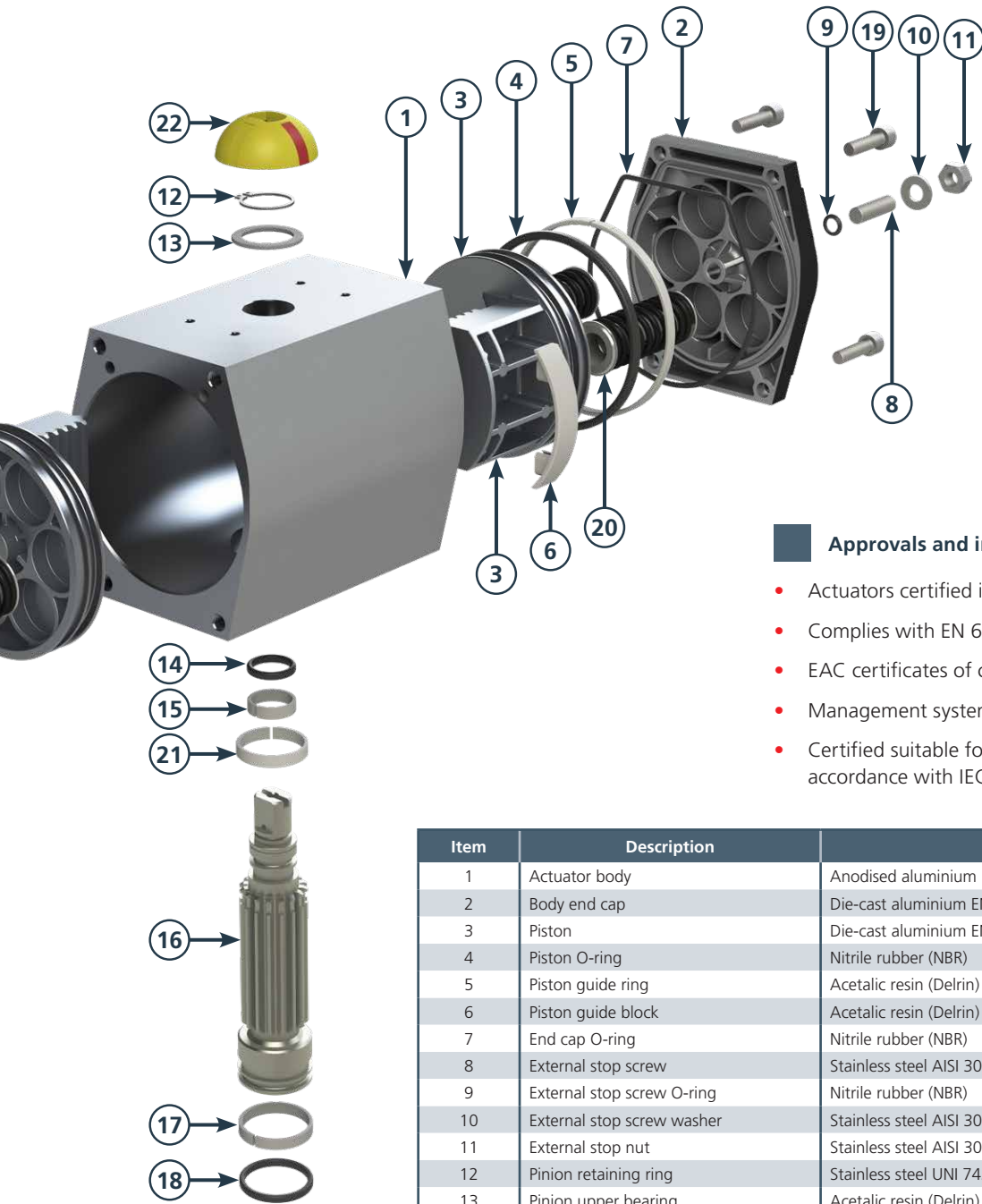
Body:	Anodised aluminium ASTM 6063
Option for the body:	Stainless steel AISI 316 (limited sizes) or epoxy paint
Pinion:	Carbon steel electroless nickel plated
Optional:	Stainless steel
Pistons:	Die-cast aluminium EN AC-46100
End caps:	Die-cast aluminium UNI EN1706, EN AC- 46100, epoxy paint (black RAL 9005)
Spring cartridge:	Carbon steel, epoxy paint



Optional surface treatments

- Anodised body, epoxy-painted end caps are available in every colour upon request
- Hard anodised body, epoxy-painted end caps are available in every colour upon request
- Hard anodised body, end caps, and pistons
- Duraflon PTFE over anodised or hard-anodised body
- Polyester powder coat over anodised body
- FDA compliant epoxy polyester paint over anodised body
- Polyurethane Resin ISO 12944-6 over anodised body
- Plastcoat PPA571 ISO 12944-6 body and end caps

Contact Rotork with other requirements.



Approvals and industry standards

- Actuators certified in accordance with 2014/34/EU
- Complies with EN 60529 (1991) + (A1:2000) for IP66M
- EAC certificates of conformity
- Management system in accordance with ISO 9001:2015
- Certified suitable for use at SIL3 as a single device in accordance with IEC 61508

Item	Description	Material	Quantity
1	Actuator body	Anodised aluminium EN AW-6063	1
2	Body end cap	Die-cast aluminium EN AC-46100	2
3	Piston	Die-cast aluminium EN AC-46100	2
4	Piston O-ring	Nitrile rubber (NBR)	2
5	Piston guide ring	Acetalic resin (Delrin)	2
6	Piston guide block	Acetalic resin (Delrin)	2
7	End cap O-ring	Nitrile rubber (NBR)	2
8	External stop screw	Stainless steel AISI 304	2
9	External stop screw O-ring	Nitrile rubber (NBR)	2
10	External stop screw washer	Stainless steel AISI 304	2
11	External stop nut	Stainless steel AISI 304	2
12	Pinion retaining ring	Stainless steel UNI 7435	1
13	Pinion upper bearing	Acetalic resin (Delrin)	1
14	Pinion upper O-ring	Nitrile rubber (NBR)	1
15	Pinion upper guide bearing	Acetalic resin (Delrin)	1
16	Pinion	Carbon steel (electroless nickel plated)	1
17	Pinion lower guide bearing	Acetalic resin (Delrin)	1
18	Pinion lower O-ring	Nitrile rubber (NBR)	1
19	End cap retaining screws	Stainless steel AISI 304	8
20	Spring cartridge	Steel (epoxy painted)	0-12
21	Anti-blowout ring	Polyarylamide	1
22	Position indicator	Nylon 6	1

1. GT range actuators are available with either single- or dual-direction of travel stop adjustment, except on the smallest sizes, 33, 34, 43, and 44 which do not have any travel adjustment in the standard version. Outboard stop adjustment is +/- 5° (e.g. 85° - 95°). Inboard stop adjustment is +5°/-25°.

The illustration and parts list above depict an actuator with single-direction travel stop adjustment, standard temperature build.

Torque output data

Double-acting actuators

Values in Nm

Model	Pneumatic Torque (Nm)													
	2 bar	2.5 bar	3 bar	3.5 bar	4 bar	4.5 bar	5 bar	5.5 bar	6 bar	6.5 bar	7 bar	8 bar	9 bar	10 bar
33, 34	2.3	2.9	3.5	4.0	4.6	5.2	5.8	6.3	6.9	7.5	8.1	9.2	10.4	11.5
43, 44	4.6	5.8	6.9	8.1	9.2	10.4	11.5	12.7	13.9	15.0	16.2	18.5	20.8	23.1
52	7.8	9.7	11.7	13.6	15.6	17.5	19.5	21.4	23.4	25.3	27.3	31.2	35.1	39.0
63	11	14	17	20	23	26	29	32	34	37	40	46	51	57
75	20	25	30	35	40	45	50	55	60	65	70	80	90	100
83	29	36	43	50	58	65	72	79	86	94	101	115	130	144
92	40	50	60	70	80	90	100	110	119	129	139	159	179	199
110	58	72	87	101	116	130	145	159	173	188	202	231	260	289
118	86	107	129	150	172	193	214	236	257	279	300	343	386	429
127	115	144	172	201	230	258	287	316	344	373	402	459	517	574
143	185	230	280	325	370	420	465	510	555	605	650	745	835	930
160	230	285	345	400	455	515	570	630	685	745	800	915	1,030	1,145
190	400	500	600	690	790	890	990	1,090	1,190	1,290	1,390	1,590	1,790	1,990
210	480	600	710	830	950	1,070	1,190	1,310	1,430	1,550	1,670	1,910	2,140	2,380
253	690	860	1,030	1,210	1,380	1,550	1,720	1,900	2,070	2,240	2,410	2,760	3,100	3,450
254	910	1,140	1,370	1,590	1,820	2,050	2,280	2,500	2,730	2,960	3,190	3,640	4,100	4,550
255	1,140	1,420	1,710	1,990	2,280	2,560	2,840	3,130	3,410	3,700	3,980	4,550	5,120	5,690
300	1,600	2,000	2,400	2,800	3,200	3,590	3,990	4,390	4,790	5,190	5,590	6,390	7,190	7,990
302	3,060	3,830	4,590	5,360	6,120	6,890	7,660	8,420	9,190	9,950	10,720	12,250	13,780	15,310

Values in lbf.in

Model	Pneumatic Torque (lbf.in)						
	30 psi	40 psi	60 psi	80 psi	100 psi	120 psi	140 psi
33, 34	21	28	42	56	70	85	99
43, 44	42	56	85	113	141	169	197
52	71	95	143	190	238	285	333
63	105	140	210	285	350	420	485
75	185	245	365	490	610	735	855
83	265	350	525	705	880	1,055	1,230
92	365	485	730	970	1,215	1,460	1,700
110	530	705	1,060	1,410	1,765	2,115	2,470
118	785	1,045	1,570	2,095	2,620	3,140	3,665
127	1,050	1,400	2,100	2,800	3,500	4,210	4,910
143	1,690	2,280	3,390	4,530	5,670	6,820	7,950
160	2,110	2,810	4,170	5,590	6,980	8,380	9,780
190	3,660	4,880	7,230	9,680	12,120	14,560	17,000
210	4,390	5,780	8,700	11,630	14,560	17,490	20,340
253	6,320	8,380	12,630	16,870	21,010	25,270	29,480
254	8,330	11,150	16,660	22,190	27,810	33,320	38,880
255	10,440	13,920	20,870	27,790	34,700	41,660	48,620
300	14,650	19,530	29,300	38,970	48,740	58,500	68,270
302	28,010	37,350	56,030	74,750	93,470	112,150	130,820

Actual figures may vary by $\pm 10\%$.

Torque output data

Single-acting actuators

Values in Nm

Model	Springs	Spring Torque (Nm)		Pneumatic Torque (Nm)																			
				2 bar		3 bar		4 bar		5 bar		5.5 bar		6 bar		7 bar		8 bar		9 bar		10 bar	
		0°	90°	0°	90°	0°	90°	0°	90°	0°	90°	0°	90°	0°	90°	0°	90°	0°	90°	0°	90°	0°	90°
33, 34	2	1.5	2.5			1.9	0.9	3.0	2.0	4.2	3.2	4.8	3.8	5.3	4.4	6.5	5.5	7.6	6.7	8.8	7.8	10.0	9.0
	4	3.1	5.0							2.6	0.6	3.2	1.2	3.7	1.8	4.9	2.9	6.1	4.1	7.2	5.2	8.4	6.4
43, 44	2	1.5	2.5	3.0	2.0	5.3	4.4	7.6	6.7	10.0	9.0	11.1	10.1	12.3	11.3	14.6	13.6	16.9	15.9	19.2	18.2	21.5	20.5
	4	3.1	5.0			3.7	1.8	6.1	4.1	8.4	6.4	9.5	7.6	10.7	8.7	13.0	11.0	15.3	13.3	17.6	15.6	19.9	17.9
	6	4.6	7.5					4.5	1.5	6.8	3.8	7.9	5.0	9.1	6.1	11.4	8.4	13.7	10.8	16.0	13.1	18.3	15.4
	8	6.2	10.0							5.2	1.3	6.3	2.4	7.5	3.6	9.8	5.9	12.1	8.2	14.4	10.5	16.7	12.8
52	2	2.0	3.2	5.8	4.5	9.7	8.4	13.6	12.3	17.5	16.2	19.4	18.2	21.4	20.1	25.3	24.0	29.2	27.9	33.1	31.8	37.0	35.7
	4	3.9	6.3	3.8	1.3	7.7	5.2	11.6	9.1	15.5	13.0	17.4	14.9	19.4	16.9	23.3	20.8	27.2	24.7	31.1	28.6	35.0	32.5
	6	5.9	9.5			5.7	1.9	9.6	5.8	13.5	9.7	15.4	11.7	17.4	13.6	21.3	17.5	25.2	21.4	29.1	25.3	33.0	29.2
	8	7.8	12.7					7.6	2.6	11.5	6.5	13.4	8.4	15.4	10.4	19.3	14.3	23.2	18.2	27.0	22.1	30.9	26.0
	10	9.8	15.8							9.5	3.2	11.4	5.2	13.4	7.1	17.2	11.0	21.1	14.9	25.0	18.8	28.9	22.7
	12	11.7	19.0								9.4	1.9	11.3	3.9	15.2	7.8	19.1	11.7	23.0	15.6	26.9	19.5	
63	2	2.7	4.2	8.6	7.0	14.3	12.7	20.0	18.4	25.7	24.1	28.5	27.0	31.4	29.8	37.1	35.5	42.8	41.2	48.5	46.9	54.2	52.6
	4	5.5	8.5	5.7	2.6	11.4	8.3	17.1	14.0	22.8	19.7	25.7	22.6	28.5	25.4	34.2	31.1	39.9	36.8	45.6	42.5	51.4	48.2
	6	8.2	12.7			8.6	3.9	14.3	9.6	20.0	15.3	22.8	18.1	25.7	21.0	31.4	26.7	37.1	32.4	42.8	38.1	48.5	43.8
	8	10.9	17.0					11.5	5.2	17.2	10.9	20.0	13.7	22.9	16.6	28.6	22.3	34.3	28.0	40.0	33.7	45.7	39.4
	10	13.7	21.2							14.3	6.5	17.2	9.3	20.0	12.2	25.7	17.9	31.4	23.6	37.1	29.3	42.8	35.0
75	2	5	8	15	12	25	22	35	32	45	42	50	47	55	52	65	62	75	72	85	82	95	92
	4	10	16	9	4	19	14	29	24	39	34	44	39	49	44	59	54	69	64	79	74	89	84
	6	16	24			14	6	24	16	34	26	39	31	44	36	54	46	64	56	74	66	84	76
	8	21	32					19	7	29	17	34	22	39	27	49	38	59	48	69	58	79	68
	10	26	40							23	9	28	14	33	19	43	29	53	39	63	49	73	59
83	2	31	47							23	6	28	11	38	21	48	31	58	41	68	51		
	2	7	11	22	18	36	32	50	46	65	61	72	68	79	75	94	90	108	104	122	118	137	133
	4	14	22	14	6	29	21	43	35	57	50	65	57	72	64	86	78	101	93	115	107	129	122
	6	21	32			21	10	36	24	50	38	57	46	65	53	79	67	93	82	108	96	122	110
	8	28	43					28	13	43	27	50	34	57	42	72	56	86	70	100	85	115	99
92	2	8	13	31	26	51	46	71	66	91	86	101	96	111	106	131	126	151	146	170	166	190	185
	4	16	26	22	12	42	32	62	52	82	72	92	82	102	92	122	112	142	132	162	152	182	172
	6	25	39			34	19	54	39	73	58	83	68	93	78	113	98	133	118	153	138	173	158
	8	33	52					45	25	65	45	75	55	85	65	105	85	124	105	144	124	164	144
	10	41	65							56	31	66	41	76	51	96	71	116	91	136	111	156	131
110	2	14	23	42	33	71	62	100	91	129	120	144	135	158	149	187	178	216	207	245	236	274	265
	4	29	46	27	9	56	38	85	67	114	96	128	110	143	125	171	154	200	183	229	211	258	240
	6	43	69			40	14	69	43	98	72	113	86	127	100	156	129	185	158	214	187	243	216
	8	58	91					54	18	83	47	97	62	112	76	141	105	170	134	198	163	227	192
	10	72	114							67	23	82	37	96	52	125	81	154	110	183	138	212	167
118	2	21	36	63	49	106	91	149	134	192	177	214	199	235	220	278	263	321	306	364	349	407	392
	4	43	72	41	11	84	54	127	97	170	140	191	162	213	183	256	226	299	269	341	312	384	355
	6	64	107			62	17	105	60	148	103	169	124	190	146	233	189	276	232	319	274	362	317
	8	86	143					82	23	125	66	147	87	168	109	211	151	254	194	297	237	340	280
	10	107	179							103	28	124	50	146	71	189	114	232	157	274	200	317	243
127	2	27	45	87	68	144	126	202	183	259	241	288	269	317	298	374	356	431	413	489	470	546	528
	4	54	89	59	22	117	79	174	137	231	194	260	223	289	252	346	309	404	367	461	424	518	481
	6	80	134			89	33	146	91	204	148	232	177	261	205	318	263	376	320	433	378	491	435
	8	107	178					118	44	176	102	204	130	233	159	291	216	348	274	405	331	463	389
	10	134	223							148	55	177	84	205	113	263	170	320	227	378	285	435	342
143	2	161	268									149	38	178	66	235	124	292	181	350	238	407	296
	2	50	65	135	120	230	210	320	305	415	395	461	443	510	490	600	580	695	675	785	770	880	860
	4	100	135	85	50	180	145	270	235	365	330	411	375	460	420	550	515	645	610	735	700	830	795
	6	150	200			130	75	220	170	315	260	362	308	410	355	500	445	595	540	685	635	780	725
	8	195	270					175	100	265	195	312	240	360	285	450	380	545	470	635	565	730	660
10	245	335					125	35	215	125	262	172	310	220	400	310	495	405	585	495	680	590	
12	295	405								165	60	213	104	260	150	350	245	445	335	540	430	630	520

Torque output data

Single-acting actuators *continued*

Values in Nm *continued*

Model	Springs	Spring Torque (Nm)		Pneumatic Torque (Nm)																					
				2 bar		3 bar		4 bar		5 bar		5.5 bar		6 bar		7 bar		8 bar		9 bar		10 bar			
		0°	90°	0°	90°	0°	90°	0°	90°	0°	90°	0°	90°	0°	90°	0°	90°	0°	90°	0°	90°	0°	90°		
160	2	55	85	170	145	285	255	400	370	515	485	572	543	630	600	745	715	855	830	970	945	1085	1055		
	4	110	165	115	55	230	170	345	285	455	400	514	457	570	515	685	630	800	745	915	855	1030	970		
	6	165	250			170	85	285	200	400	315	457	371	515	430	630	545	745	655	855	770	970	885		
	8	220	330					230	115	345	230	400	285	455	340	570	455	685	570	800	685	915	800		
	10	275	415					170	30	285	140	342	199	400	255	515	370	630	485	745	600	855	715		
	12	330	500							230	55	285	113	340	170	455	285	570	400	685	515	800	630		
190	2	100	130	295	260	490	460	690	660	890	860	990	955	1090	1055	1285	1255	1485	1455	1685	1650	1880	1850		
	4	200	265	190	130	390	325	590	525	785	725	885	820	985	920	1185	1120	1380	1320	1580	1515	1780	1715		
	6	300	395			285	190	485	390	685	590	780	690	880	785	1080	985	1280	1185	1475	1385	1675	1580		
	8	405	525			185	55	380	255	580	455	680	555	780	650	975	850	1175	1050	1375	1250	1575	1445		
	10	505	655					280	120	475	320	575	420	675	520	875	715	1070	915	1270	1115	1470	1310		
	12	605	790							375	185	475	285	570	385	770	580	970	780	1170	980	1365	1175		
210	2	110	160	365	315	600	550	840	790	1080	1025	1200	1145	1315	1265	1555	1505	1795	1740	2030	1980	2270	2220		
	4	220	320	250	150	490	385	725	625	965	865	1085	985	1205	1100	1440	1340	1680	1580	1920	1815	2155	2055		
	6	330	480			375	225	615	460	855	700	970	820	1090	940	1330	1175	1570	1415	1805	1650	2045	1890		
	8	440	640			265	60	500	295	740	535	860	655	980	775	1215	1010	1455	1250	1695	1490	1930	1725		
	10	550	800					390	135	630	370	745	490	865	610	1105	850	1340	1085	1580	1325	1820	1565		
	12	660	960							515	210	635	325	755	445	990	685	1230	925	1470	1160	1705	1400		
253	2	170	230	520	450	860	800	1210	1140	1550	1490	1725	1660	1900	1830	2240	2180	2590	2520	2930	2870	3280	3210		
	4	340	470	340	210	690	560	1030	900	1380	1250	1550	1420	1720	1590	2070	1940	2410	2280	2760	2630	3100	2970		
	6	510	700			510	320	860	660	1200	1010	1375	1180	1550	1350	1890	1700	2240	2040	2580	2390	2930	2730		
	8	680	940			340	80	690	430	1030	770	1200	945	1370	1120	1720	1460	2060	1810	2410	2150	2750	2500		
	10	860	1170					510	190	860	530	1030	705	1200	880	1550	1220	1890	1570	2240	1910	2580	2260		
	12	1030	1410							680	290	855	465	1030	640	1370	980	1720	1330	2060	1670	2410	2020		
254	2	220	320	680	580	1140	1040	1590	1490	2050	1950	2275	2175	2500	2400	2960	2860	3420	3310	3870	3770	4330	4220		
	4	440	640	460	260	910	710	1370	1170	1820	1620	2050	1850	2280	2080	2730	2530	3190	2990	3640	3440	4100	3900		
	6	660	950			690	380	1140	840	1600	1290	1825	1520	2050	1750	2510	2200	2960	2660	3420	3110	3870	3570		
	8	880	1270					920	510	1370	970	1600	1195	1830	1420	2280	1880	2740	2330	3190	2790	3650	3240		
	10	1100	1590					690	180	1150	640	1375	865	1600	1100	2060	1550	2510	2010	2970	2460	3420	2920		
	12	1320	1910							920	310	1150	540	1380	770	1830	1220	2290	1680	2740	2130	3200	2590		
255	2	260	400	870	730	1440	1290	2010	1860	2580	2430	2865	2715	3150	3000	3720	3570	4290	4140	4860	4710	5430	5280		
	4	510	810	610	310	1180	880	1750	1450	2320	2020	2600	2305	2890	2590	3460	3160	4020	3730	4590	4290	5160	4860		
	6	770	1210			920	470	1480	1040	2050	1610	2340	1890	2620	2180	3190	2740	3760	3310	4330	3880	4900	4450		
	8	1030	1610					1220	620	1790	1190	2075	1480	2360	1760	2930	2330	3500	2900	4070	3470	4630	4040		
	10	1290	2010					960	210	1530	780	1810	1065	2100	1350	2660	1920	3230	2490	3800	3060	4370	3630		
	12	1540	2420							1260	370	1545	655	1830	940	2400	1510	2970	2080	3540	2640	4110	3210		
300	2	230	400	1360	1180	2160	1980	2960	2780	3760	3580	4160	3980	4560	4380	5360	5180	6160	5980	6950	6770	7750	7570		
	4	450	800	1130	770	1930	1570	2720	2370	3520	3170	3920	3560	4320	3960	5120	4760	5920	5560	6720	6360	7520	7160		
	6	680	1200	890	350	1690	1150	2490	1950	3290	2750	3690	3150	4090	3550	4890	4350	5680	5150	6480	5950	7280	6740		
	8	900	1590			1460	740	2250	1540	3050	2340	3450	2740	3850	3140	4650	3930	5450	4730	6250	5530	7050	6330		
	10	1130	1990			1220	320	2020	1120	2820	1920	3220	2320	3620	2720	4420	3520	5210	4320	6010	5120	6810	5920		
	12	1360	2390					1780	710	2580	1510	2980	1910	3380	2310	4180	3100	4980	3900	5780	4700	6580	5500		
	14	1580	2790					1550	290	2350	1090	2750	1490	3150	1890	3950	2690	4740	3490	5540	4290	6340	5090		
	16	1810	3190							2110	680	2510	1080	2910	1480	3710	2280	4510	3070	5310	3870	6110	4670		
302	2	210	370	2840	2680	4370	4210	5910	5740	7440	7270	8200	8040	8970	8800	10500	10330	12030	11860	13560	13390	15090	14930		
	4	420	740	2630	2290	4160	3820	5690	5350	7220	6890	7980	7650	8750	8420	10280	9950	11810	11480	13340	13010	14870	14540		
	6	630	1110	2410	1910	3940	3440	5470	4970	7000	6500	7770	7270	8530	8030	10060	9560	11590	11090	13120	12620	14660	14160		
	8	840	1480	2190	1520	3720	3050	5250	4580	6780	6120	7550	6880	8310	7650	9840	9180	11370	10710	12910	12240	14440	13770		
	10	1050	1850	1970	1140	3500	2670	5030	4200	6560	5730	7330	6500	8090	7260	9620	8790	11160	10320	12690	11850	14220	13390		
	12	1260	2220			3280	2280	4810	3810	6340	5350	7110	6110	7880	6880	9410	8410	10940	9940	12470	11470	14000	13000		
	14	1470	2590			3060	1900	4590	3430	6130	4960	6890	5730	7660	6490	9190	8020	10720	9550	12250	11080	13780	12620		
	16	1680	2960			2840	1510	4380	3040	5910	4580	6670	5340	7440	6110	8970	7640	10500	9170	12030	10700	13560	12230		
	18	1890	3330			2630	1130	4160	2660	5690	4190	6450	4960	7220	5720	8750	7250	10280	8780	11810	10310	13340	11850		
	20	2100	3700					2410	740	3940	2270	5470	3810	6240	4570	7000	5340	8530	6870	10060	8400	11590	9930	13130	11460
	22	2310	4070						3720	1890	5250	3420	6020	4190	6780	4950	8310	6480	9840	8010	11380	9540	12910	11080	
	24	2520	4440						3500	1500	5030	3030	5800	3800	6560	4570	8100	6100	9630	7630	11160	9160	12690	10690	
	26	2730	4810						3280	1120	4810	2650	5580	3420	6350	4180	7880	5710	9410	7240	10940	8770	12470	10310	
	28	2940	5180								4600	2260	5360	3030	6130	3800	7660	5330	9190	6860	10720	8390	12250	9920	
	30	3150	5550								4380	1880	5140	2650	5910	3410	7440	4940	8970	6470	10500	8000	12030	9540	
	32	3360	5920								4160	1490	4920	2260	5690	3030	7220	4560	8750	6090	10280	7620	11810	9150	

Actual figures may vary by ±10%.

Torque output data

Single-acting actuators *continued*

Values in lbf.in

Model	Springs	Spring Torque (lbf.in)		Pneumatic Torque (lbf.in)													
				30 psi		40 psi		60 psi		80 psi		100 psi		120 psi		140 psi	
		0°	90°	0°	90°	0°	90°	0°	90°	0°	90°	0°	90°	0°	90°	0°	90°
33, 34	2	14	22			15	7	28	19	42	34	57	48	70	61	85	77
	4	27	44							28	11	43	26	55	37	71	55
43, 44	2	14	22	28	19	43	35	70	61	99	90	127	118	155	146	184	175
	4	27	44			31	15	55	37	85	67	113	96	140	122	170	153
	6	41	67					41	14	70	44	99	74	125	98	157	131
	8	55	89							56	21	86	51	111	75	143	109
52	2	17	28	53	42	79	69	124	113	172	161	220	210	267	256	316	305
	4	35	56	35	12	62	42	106	83	155	133	203	181	249	226	299	277
	6	52	84			46	16	88	54	137	104	185	153	230	196	282	250
	8	69	112					69	24	119	75	168	125	212	166	264	222
	10	87	140							101	46	150	96	194	137	247	194
	12	104	168							83	17	133	68	175	107	230	166
63	2	24	38	78	64	116	103	183	169	253	239	323	310	392	377	463	450
	4	48	75	52	24	93	67	157	128	228	200	299	271	366	337	439	412
	6	73	113			70	32	131	88	203	161	274	233	340	297	415	374
	8	97	150					105	47	178	122	249	194	314	256	390	337
	10	121	188							152	83	224	156	288	216	366	299
	12	145	225							127	44	199	118	262	176	342	261
75	2	46	70	134	109	201	178	318	292	441	417	564	540	684	659	810	786
	4	92	140	85	34	157	112	269	218	394	344	518	469	635	584	764	716
	6	138	210			114	46	220	143	346	272	471	398	586	510	718	647
	8	184	280					171	68	299	200	424	327	537	435	673	577
	10	230	350							251	127	378	256	488	360	627	508
	12	276	420							204	55	331	185	439	286	581	438
83	2	62	96	197	161	292	260	461	425	638	604	815	781	988	952	1168	1135
	4	125	192	130	58	233	169	394	322	574	504	752	683	921	849	1106	1039
	6	187	288			174	78	327	219	509	405	688	586	854	747	1043	943
	8	249	383					260	117	444	305	625	488	788	644	981	847
	10	312	479							379	206	561	390	721	542	919	752
	12	374	575							315	106	497	292	654	439	857	656
92	2	73	114	285	239	415	375	649	604	895	851	1139	1096	1379	1333	1627	1584
	4	145	229	205	114	344	263	570	478	818	729	1063	977	1299	1208	1552	1467
	6	218	343			273	152	490	353	740	608	987	857	1219	1082	1478	1350
	8	291	457					410	228	663	486	911	738	1139	957	1404	1233
	10	364	571							586	365	835	618	1060	832	1329	1116
	12	436	686							508	243	760	499	980	706	1255	1000
110	2	130	200	390	305	580	510	915	835	1275	1195	1630	1550	1975	1895	2340	2260
	4	255	405	245	85	455	310	775	615	1140	980	1495	1340	1835	1670	2205	2055
	6	385	605			330	110	635	390	1000	765	1360	1130	1695	1450	2075	1845
	8	510	810					495	170	865	545	1225	915	1555	1225	1945	1640
	10	640	1010							725	330	1090	705	1410	1005	1810	1430
	12	770	1215							590	115	960	490	1270	780	1680	1225
118	2	190	315	580	445	865	745	1365	1230	1895	1765	2425	2295	2940	2800	3475	3350
	4	380	635	375	105	685	440	1160	890	1700	1435	2230	1970	2735	2460	3285	3030
	6	570	950			500	140	960	550	1500	1105	2035	1645	2530	2120	3095	2710
	8	760	1265					755	210	1300	775	1840	1320	2325	1780	2900	2395
	10	950	1585							1105	445	1645	995	2120	1440	2710	2075
	12	1140	1900							905	110	1450	670	1915	1100	2520	1760
127	2	235	395	795	625	1175	1025	1850	1680	2555	2390	3260	3100	3950	3780	4670	4510
	4	475	790	540	200	950	645	1595	1255	2310	1980	3020	2695	3695	3355	4430	4115
	6	710	1185			720	270	1340	830	2060	1570	2775	2290	3440	2930	4195	3715
	8	945	1580					1085	405	1815	1155	2535	1885	3185	2505	3955	3320
	10	1185	1975							1570	745	2290	1480	2930	2080	3715	2925
	12	1420	2370							1320	335	2050	1080	2675	1660	3480	2530
143	2	445	575	1235	1095	1870	1710	2930	2795	4095	3930	5230	5060	6360	6180	7520	7350
	4	885	1195	775	460	1465	1180	2470	2150	3650	3330	4800	4495	5905	5585	7090	6790
	6	1330	1770			1055	610	2010	1555	3210	2730	4360	3880	5445	4945	6665	6195
	8	1725	2390					1605	915	2770	2125	3925	3315	4990	4305	6235	5640
	10	2170	2965							2325	1525	3490	2705	4530	3710	5810	5040
	12	2610	3585							1885	930	3055	2140	4075	3065	5385	4440

Torque output data

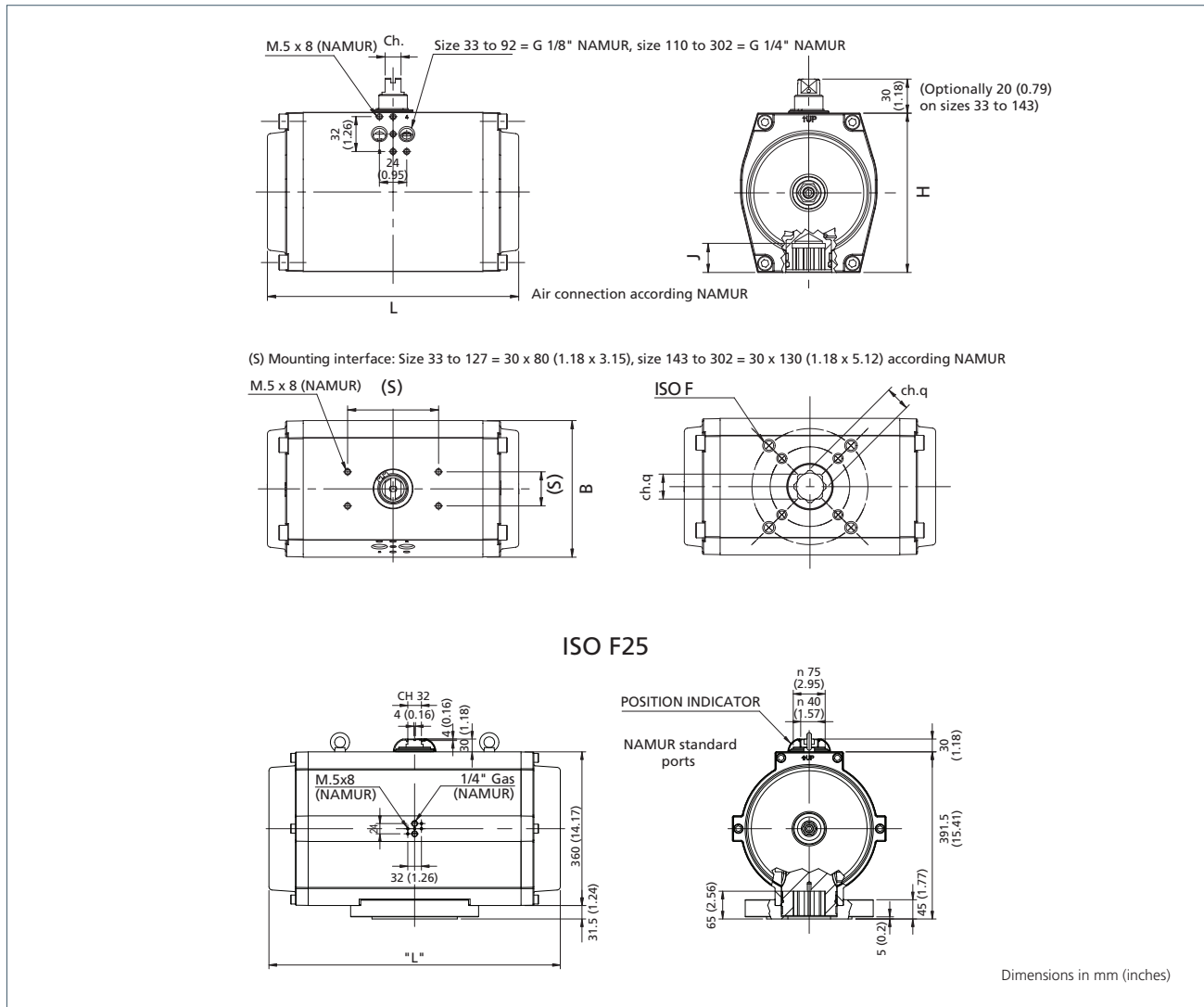
Single-acting actuators *continued*

Values in lbf.in *continued*

Model	Springs	Spring Torque (lbf.in)		Pneumatic Torque (lbf.in)													
				30 psi		40 psi		60 psi		80 psi		100 psi		120 psi		140 psi	
		0°	90°	0°	90°	0°	90°	0°	90°	0°	90°	0°	90°	0°	90°	0°	90°
160	2	485	750	1560	1330	2320	2070	3660	3390	5080	4820	6500	6240	7830	7600	9270	9010
	4	975	1460	1060	500	1870	1380	3160	2610	4560	4060	5970	5490	7320	6820	8800	8290
	6	1460	2215			1380	690	2610	1830	4060	3300	5490	4750	6820	5990	8290	7560
	8	1945	2920					2110	1060	3550	2530	4970	3970	6270	5220	7820	6840
	10	2435	3675					1560	270	3040	1770	4490	3230	5770	4440	7300	6110
	12	2920	4425							2530	1010	3970	2480	5220	3660	6840	5380
190	2	890	1150	2700	2380	3990	3740	6320	6040	8790	8480	11200	10940	13590	13320	16070	15810
	4	1770	2350	1740	1190	3170	2640	5400	4810	7850	7280	10330	9760	12640	12080	15210	14660
	6	2660	3500			2320	1540	4440	3570	6930	6120	9420	8590	11720	10850	14310	13500
	8	3590	4650			1500	450	3480	2330	6040	4930	8500	7410	10760	9620	13460	12350
	10	4470	5800					2570	1100	5110	3730	7630	6240	9800	8380	12560	11200
	12	5360	6990							4220	2530	6710	5060	8880	7140	11660	10040
210	2	980	1420	3340	2890	4880	4480	7690	7230	10650	10170	13560	13120	16430	15930	19400	18970
	4	1950	2830	2290	1380	3990	3130	6640	5720	9630	8740	12560	11680	15380	14470	18410	17560
	6	2920	4250			3050	1830	5630	4210	8610	7280	11600	10250	14370	12960	17480	16150
	8	3900	5670			2160	490	4580	2700	7630	5810	10600	8810	13320	11450	16490	14740
	10	4870	7080					3570	1240	6620	4350	9640	7410	12270	9930	15550	13370
	12	5840	8500							5640	2880	8630	5970	11260	8470	14570	11960
253	2	1500	2040	4760	4120	7000	6510	11080	10440	15320	14740	19530	19000	23710	23070	28030	27430
	4	3010	4160	3110	1920	5620	4560	9430	8240	13760	12610	18050	16920	22070	20880	26490	25370
	6	4510	6200			4150	2600	7870	6040	12210	10470	16480	14830	20500	18670	25040	23330
	8	6020	8320			2770	650	6320	3940	10650	8390	15000	12730	18860	16570	23500	21370
	10	7610	10350					4670	1740	9150	6260	13520	10640	17310	14370	22040	19310
	12	9120	12480							7590	4130	11940	8540	15740	12180	20590	17260
254	2	1950	2830	6230	5310	9280	8460	14560	13640	20190	19310	25810	24940	31310	30300	37000	36060
	4	3890	5660	4210	2380	7400	5770	12540	10710	18200	16420	23800	22060	29200	27370	35040	33330
	6	5840	8410			5620	3090	10440	7690	16200	13490	21880	19180	27100	24350	33070	30500
	8	7790	11240					8420	4670	14200	10610	19880	16390	25090	21330	31190	27680
	10	9740	14070					6320	1640	12210	7680	17960	13520	22980	18400	29230	24950
	12	11680	16900							10210	4790	15960	10640	20970	15380	27340	22130
255	2	2300	3540	7970	6680	11710	10500	18400	17030	25440	24110	32430	31120	39280	37900	46400	45120
	4	4510	7170	5590	2830	9600	7160	16020	13270	23080	20460	30170	27560	36810	34150	44100	41530
	6	6810	10710			7490	3830	13550	9520	20770	16780	27810	23890	34430	30300	41870	38020
	8	9120	14250					11170	5680	18420	13140	25550	20320	32050	26560	39570	34520
	10	11420	17790					8790	1920	16070	9460	23190	16740	29580	22800	37340	31020
	12	13630	21420							13710	5820	20930	13160	27190	19040	35120	27430
300	2	2040	3540	12460	10800	17580	16110	27100	25450	36940	35330	46740	45160	56400	54740	66220	64680
	4	3980	7080	10340	7040	15710	12770	24900	21690	34800	31610	44640	41510	54200	50910	64260	61180
	6	6020	10620	8150	3210	13760	9360	22800	17860	32760	27970	42640	37930	52000	47150	62210	57590
	8	7970	14070			11880	6020	20600	14100	30630	24330	40540	34270	49890	43300	60240	54090
	10	10000	17610			9930	2600	18500	10250	28590	20590	38540	30690	47700	39550	58190	50580
	12	12040	21150					16290	6500	26450	16950	36440	27030	45590	35710	56220	47000
	14	13980	24690					14190	2660	24420	13230	34440	23460	43400	31960	54180	43500
	16	16020	28230							22280	9590	32340	19880	41290	28110	52210	39900
302	2	1860	3270	26000	24540	35560	34260	54100	52550	72800	71370	91560	90070	110140	108580	128940	127570
	4	3720	6550	24080	20970	33860	31090	52100	48980	70840	67910	89640	86760	108120	105100	127060	124240
	6	5580	9820	22070	17480	32060	27990	50080	45500	68980	64540	87710	83360	106110	101530	125270	121000
	8	7430	13100	20050	13910	30270	24820	48060	41930	67030	61080	85790	80040	104090	98050	123380	117660
	10	9290	16370	18030	10440	28490	21730	46060	38450	65070	57710	83880	76640	102180	94480	121510	114410
	12	11150	19650			26690	18560	44040	34880	63120	54240	82050	73330	100160	91000	119630	111080
	14	13010	22920			24900	15470	42020	31410	61170	50870	80130	69930	98140	87430	117740	107840
	16	14870	26200			23110	12290	40100	27830	59220	47410	78210	66610	96130	83950	115870	104510
	18	16730	29470			21410	9200	38090	24350	57260	44040	76300	63210	94120	80380	113990	101250
	20	18590	32750			19610	6020	36070	20780	55390	40570	74370	59900	92100	76900	112190	97920
	22	20440	36020					34060	17310	53450	37200	72450	56500	90080	73330	110310	94680
	24	22300	39290					32050	13740	51490	33740	70630	53190	88170	69860	108440	91350
	26	24160	42570					30030	10250	49530	30360	68710	49780	86150	66280	106550	88090
	28	26020	45840							47590	26900	66790	46470	84130	62800	104670	84760
	30	27880	49120							45630	23520	64870	43070	82120	59230	102800	81520
	32	29740	52390							43680	20060	62960	39760	80110	55760	100920	78190

Actual figures may vary by ±10%.

Dimension data and mounting standards



Optional body air connections

- UNI EN ISO 228 G 1/2" 1/2" NPT (sizes from 110 to 302)
- UNI EN ISO 228 G 3/4" 3/4" NPT (sizes from 253 to 302)
- UNI EN ISO 228 G 1" 1" NPT (sizes from 300 to 302)

Optional bottom mount flange interface

- ISO F04 (for sizes 52, 63, 75)
- ISO F05 (for size 110)
- ISO F07 (for size 143)
- ISO F10 and F12 (for size 190 and 210)
- ISO F12 (for size 127)
- ISO F14 (for size 253)
- ISO F12 and F16 (for size 254)
- ISO F25 (for sizes 300 and 302)

Optional valve shaft interface

- Single square parallel ISO 5212
- Single square diagonal ISO 5213
- Double D

Note: standard is double square ISO 5211.

Dimension data and mounting standards

Values in Nm

Model	Dimensions (mm)									Displacement (dm ³)				Weight (kg)			
	90°	L		H	J	B	Ch	Ch.q	ISO	SR 90°	90°	DA		SR 90°	90°	DA	
		120°	180°									120°	180°		90°	120°	180°
33	90	-	-	65	13	61.5	10	9/11	F03	-	0.15	-	-	-	0.47	-	-
34	90	-	-	65	13	61.5	10	9/11	F04	-	0.15	-	-	-	0.47	-	-
43	116	-	-	65	13	61.5	10	9/11	F03/F05	0.10	0.18	-	-	0.66	0.60	-	-
44	116	-	-	65	13	61.5	10	9/11	F04	0.10	0.18	-	-	0.66	0.60	-	-
52	133	151	195	74	18	68.5	10	14	F03/F05	0.13	0.25	0.28	0.46	1.00	0.90	1.10	1.30
63	137	155	200	88	20	80	10	14	F05/F07	0.21	0.40	0.45	0.74	1.62	1.45	1.70	2.00
75	161	183	237	100	20	92.5	10	17	F05/F07	0.32	0.60	0.68	1.12	2.45	2.10	2.46	2.90
83	180	205	268	108	20	99.5	10	17	F05/F07	0.45	0.88	1.00	1.63	2.95	2.50	2.95	3.50
92	209	239	310	117	21	110.5	14	17	F05/F07	0.62	1.20	1.35	2.25	4.00	3.40	4.00	4.60
110	223	253	323	140	25.5	120	14	22	F07/F10	0.98	1.90	2.15	3.52	6.20	5.20	6.10	7.20
118	293	345	429	140	36	120	20	22	F07/F10	1.40	2.70	3.05	5.00	8.35	7.10	8.00	9.70
127	301	353	453	160	36	137	20	22	F07/F10	2.00	3.65	4.10	6.80	10.7	9.00	10.0	12.5
143	337	387	488	198	33	172	20	27	F10/F12	2.50	4.60	6.12	9.20	15.8	12.4	14.0	16.0
160	379	444	570	198	39	172	28	27	F10/F12	3.80	7.00	8.00	13.0	20.1	16.4	18.8	26.0
190	422	-	-	255	41	224	28	36	F14	6.50	12.5	-	-	37.8	28.0	-	-
210	468	544	696	255	40	224	32	36	F14	8.00	15.0	17.0	21.5	39.6	31.8	37.4	49.2
253	524	600	751	302	50	272	32	46	F16	10	19.2	22	29	56	44	50	63
254	609	711	911	302	50	272	32	46	F16	14.0	27.0	31.5	41.0	70.6	55.5	66.5	79.8
255	689	815	-	302	50	272	32	46	F16	17.0	32.0	38.0	-	84.3	69.2	77.0	-
300	689	814	-	360	50	360	32	46	F16	25	46	68	-	107.1	92	105	-
300-F25	689	814	-	392	65	360	32	55	F25	25	46	68	-	114	99	112	-
302	1,176	-	-	360	50	360	32	46	F16	46	84	-	-	179	144	-	-
302-F25	1,176	-	-	392	65	360	32	55	F25	46	84	-	-	179	154	-	-

Values in lbf.in

Model	Dimensions (inch)									Displacement (Cubic inches)				Weight (lbs)			
	90°	L		H	J	B	Ch	Ch.q	ISO	SR 90°	90°	DA		SR 90°	90°	DA	
		120°	180°									120°	180°		90°	120°	180°
33	3.54	-	-	2.56	0.512	2.42	0.394	0.354	F03	-	9.15	-	-	-	1.04	-	-
34	3.54	-	-	2.56	0.512	2.42	0.394	0.354	F04	-	9.15	-	-	-	1.04	-	-
43	4.57	-	-	2.56	0.512	2.42	0.394	0.354	F03/F05	6.10	11.0	-	-	1.46	1.32	-	-
44	4.57	-	-	2.56	0.512	2.42	0.394	0.354	F04	6.10	11.0	-	-	1.46	1.32	-	-
52	5.24	5.94	7.68	2.91	0.709	2.70	0.394	0.551	F03/F05	7.93	15.3	17.1	28.1	2.20	1.98	2.43	2.87
63	5.39	6.10	7.87	3.46	0.787	3.15	0.394	0.551	F05/F07	12.8	24.4	27.5	45.2	3.57	3.20	3.75	4.41
75	6.34	7.20	9.33	3.94	0.787	3.64	0.394	0.669	F05/F07	19.5	36.6	41.5	68.3	5.40	4.63	5.42	6.39
83	7.09	8.07	10.55	4.25	0.787	3.92	0.394	0.669	F05/F07	27.5	53.7	61.0	99.5	6.50	5.51	6.50	7.72
92	8.23	9.41	12.20	4.61	0.827	4.35	0.551	0.669	F05/F07	37.8	73.2	82.4	137	8.82	7.50	8.82	10.1
110	8.78	9.96	12.72	5.51	1.004	4.72	0.551	0.866	F07/F10	59.8	116	131	215	13.7	11.5	13.4	15.9
118	11.54	13.58	16.89	5.51	1.417	4.72	0.787	0.866	F07/F10	85.4	165	186	305	18.4	15.7	17.6	21.4
127	11.85	13.90	17.83	6.30	1.417	5.39	0.787	0.866	F07/F10	122	223	250	415	23.6	19.8	22.0	27.6
143	13.27	15.24	19.21	7.80	1.299	6.77	0.787	1.063	F10/F12	153	281	373	561	34.8	27.4	30.9	35.3
160	14.92	17.48	22.44	7.80	1.535	6.77	1.102	1.063	F10/F12	232	427	488	793	44.3	36.2	41.4	57.3
190	16.61	-	-	10.04	1.614	8.82	1.102	1.417	F14	397	763	-	-	83.2	61.6	-	-
210	18.43	21.42	27.40	10.04	1.575	8.82	1.260	1.417	F14	488	915	1,037	1,312	87.3	70.1	82.5	108
253	20.63	23.62	29.57	11.89	1.969	10.71	1.260	1.811	F16	610	1,172	1,343	1,770	123.46	97.00	110.23	138.89
254	23.98	27.99	35.87	11.89	1.969	10.71	1.260	1.811	F16	854	1,648	1,922	2,502	156	122	147	176
255	27.13	32.09	-	11.89	1.969	10.71	1.260	1.811	F16	1,037	1,953	2,319	-	186	153	170	-
300	27.12	32.04	-	14.17	1.969	14.17	1.26	1.811	F16	1,526	2,807	4,150	-	235.89	202.83	231.49	-
300-F25	27.12	32.04	-	15.43	2.559	14.17	1.26	2.16	F25	1,526	2,807	4,150	-	251.33	218.26	149.91	-
302	46.30	-	-	14.17	1.969	14.17	1.26	1.811	F16	2,807	5,126	-	-	394.63	317.47	-	-
302-F25	46.30	-	-	15.43	2.559	14.17	1.26	2.16	F25	2,807	5,126	-	-	394.63	339.51	-	-

SR = Spring-Return DA = Double-Acting

If a configuration is not listed, please contact Rotork for further details.

Assembly configurations

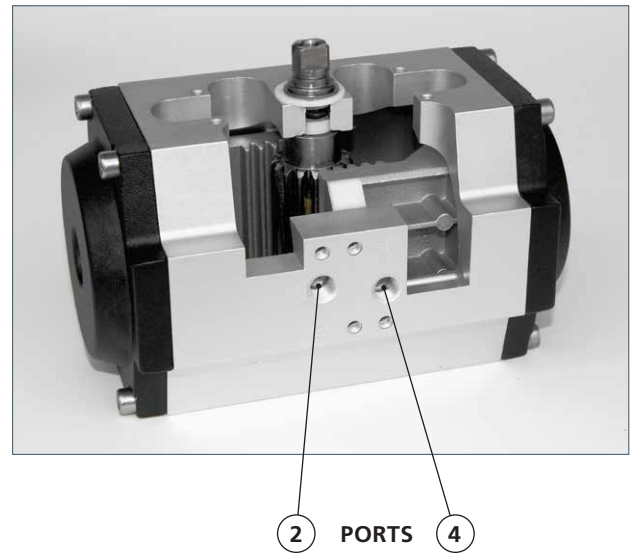
The graphics below show the relative orientation of the piston and pinion for each configuration, as viewed from the top side of the actuator. In the descriptions that follow, that perspective is assumed. Pinion rotation is indicated for each as CW (clockwise) or CCW (counter-clockwise).

Port 2 is connected to the inboard side of the pistons. Pressurising Port 2 will force the pistons out until they reach the travel stops. The direction of pinion rotation is determined by the assembly configuration. Venting is through Port 4.

Port 4 is connected to the outboard side of the pistons. Pressurising Port 4 will force the pistons in until they reach the travel stops (if the actuator is so equipped as they're optional). The direction of pinion rotation is determined by the assembly configuration. Venting is through Port 2.

Note that on spring-return actuators, as with double-acting, pressurising Port 2 will move the pistons out. When Port 2 is depressurised, spring force will move the pistons in. Venting is through Port 4. Port 4 is not to be pressurised on spring-return actuators.

Consult the GT Range Installation and Commissioning Manual or Rotork for detailed connection and operation information.



STYLE	PORT 4 (OUTBOARD) PRESSURISED <i>Shown at end of stroke</i>	PORT 2 (INBOARD) PRESSURISED <i>Shown at end of stroke</i>
A STANDARD	 	 
B OPTIONAL	 	 
C OPTIONAL	 	 
D OPTIONAL	 	 

Model number designation – standard GT range actuators

Base code

Example model number **GTA - 052 - FC - 04 - W0 - ST**

Range and rotation

- GTA** = 90° rack-pinion actuator
- GTB** = 120° rack-pinion actuator
- GTC** = 180° rack-pinion actuator
- GTD** = 135° rack-pinion actuator
- GTE** = 240° rack-pinion actuator
- GTF** = 90° + 90° rack-pinion actuator (3 positions)
- GTG** = 120° + 120° rack-pinion actuator (3 positions)

Size

033, 034, 043, 044, 052, 063, 075, 083, 092, 110, 118, 127, 143, 160, 190, 210, 253, 254, 255, 300, 302

Effect

- DA** = Double-acting
- FC** = Spring to close (clockwise)
- FO** = Spring to open (counter-clockwise)
- BC** = Back to centre (3 pos. only)

Spring number

From 01 to 32 (00 for double-acting)

End stop options

- X0** = No end stop
- K0** = Single end stop +/- 5 degrees
- K1** = Single end stop adjustable +5 to -90 degrees
- W0** = Double end stop +/- 5 degrees (opening) / +5 to -25 degrees (closure) (+/5 opening and partial closing for GTG)
- W1** = Double end stop adjustable +5 to -90 degrees (opening) / +5 to -25 degrees (closure)
- Z0** = Blocked end stop or adjusted

Environment/application

- ST** = Standard -50 to +70 °C (-58 to +158 °F)
- HT** = High -15 to +160 °C (+5 to +320 °F)
- LT** = Low temp. -54 to +70 °C (-65 to +158 °F) -60 (-76 °F) available as an engineered solution

Standard configuration actuators feature Indicator, shaft material, upper shaft length, body version (air connection), and surface treatment as listed with a * on page 15.



rotork[®]

Contact us now

mail@rotork.com

www.rotork.com

PUB110-019-00

Issue 03/25