

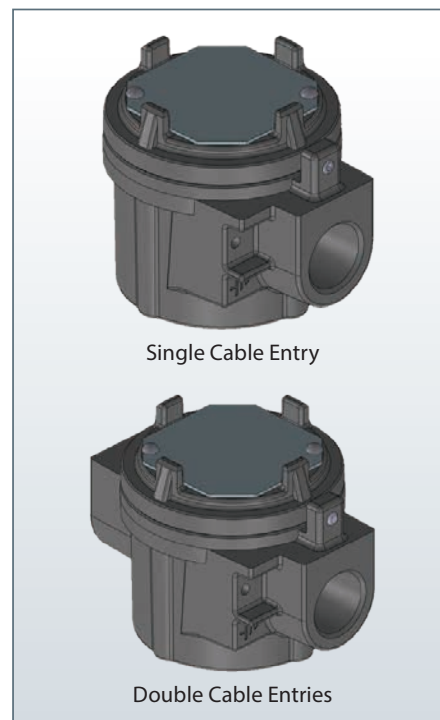
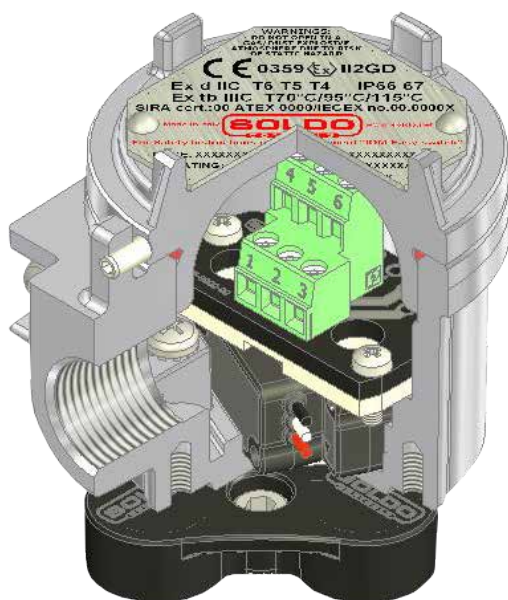
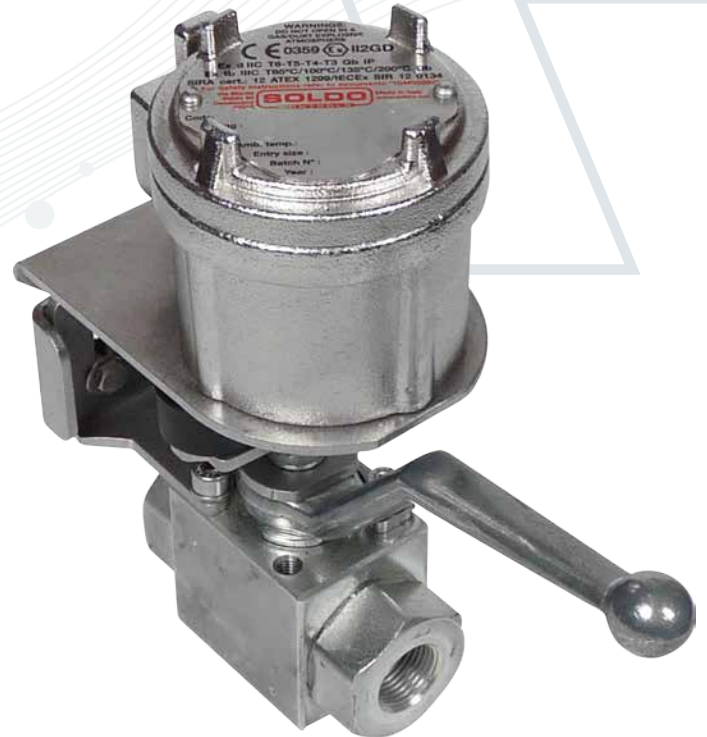
Easy Switch

Hazardous area limit switch box for manual valve applications. Explosionproof enclosure, in copper free aluminum or 316 stainless steel, handles the most demanding application in hostile environments.

The Easy switch box uses two magnetic sensors to provide electronic feedback to the control room. An easy to mount magnetic target operates the switches.

Unique Design Features

- Compact position indication on all manual valves
- Adaptable mounting kit for all applications
- Easily links to the valve with the durable glass reinforced magnetic holder
- Wires through the terminal PCB for easy connection
- Easy to open threaded lid design for manual removal of the cover
- One or two cable entries for versatile use
- Polyester powder coated copper free aluminium housing
- 316 stainless steel housing version for harsh environments
- NOVA V3 switch option for high power rating use.



Product Specification

Certifications

ATEX, IECEx, EAC, INMETRO

Ex II 2GD

Ex d IIC T6/T5/T4 Gb

Ex tb IIIC T85/T100/T120 °C Db

Ta = -65 °C ≤ Ta ≤ 105 °C

SIL rating:

up to SIL 2 approval on request

UL:

Class I, Division 1 and 2, Groups A, B, C and D

Class II, Division 1 Groups E, F and G

Class II Division 2, Groups F and G

Protection rating

IP66 / 67

IP66 / 68 (15 meters for 70 hours)

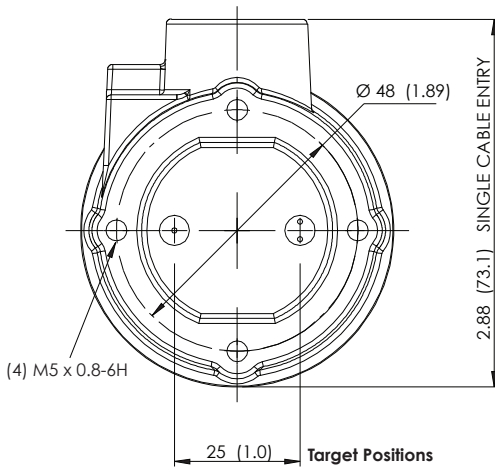
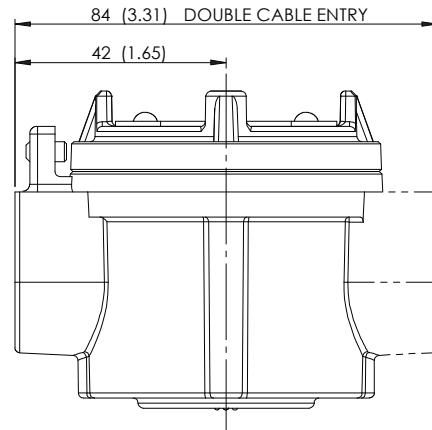
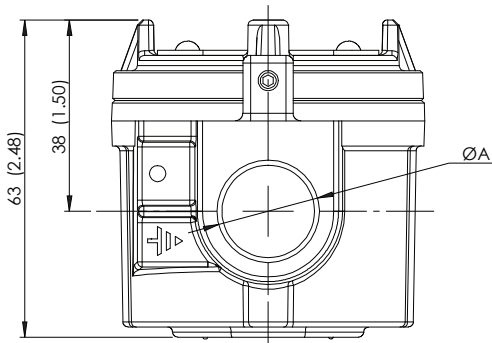
Cable Entry Options

Standard – Single cable entry

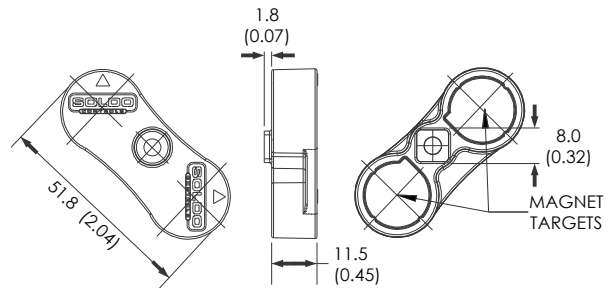
Optional – Two cable entries for the following dimensions:

- M20 x 1,5
- 1/2" NPT

Dimensional Data



MAGNET CARRIER



Contact factory for bracket information

Value of diameter 'A'	
Type	ØA
01	1/2" NPT
02	M20 x 1.5

Switch Selection:

NOVA V3 N1

To be chosen with following requirements:

- Hermetically sealed proximity switch
- High power loop:
Rating up to 5A @ 250 VAC - 5A @ 28 VDC
- Temperature range: -50 to +105 °C



NOVA V3 N3

- Hermetically sealed proximity switch
- Gold plated contacts
- Rating up to 1A @ 250 VAC - 1A @ 30 VDC
- Temperature range: -50 to +105 °C



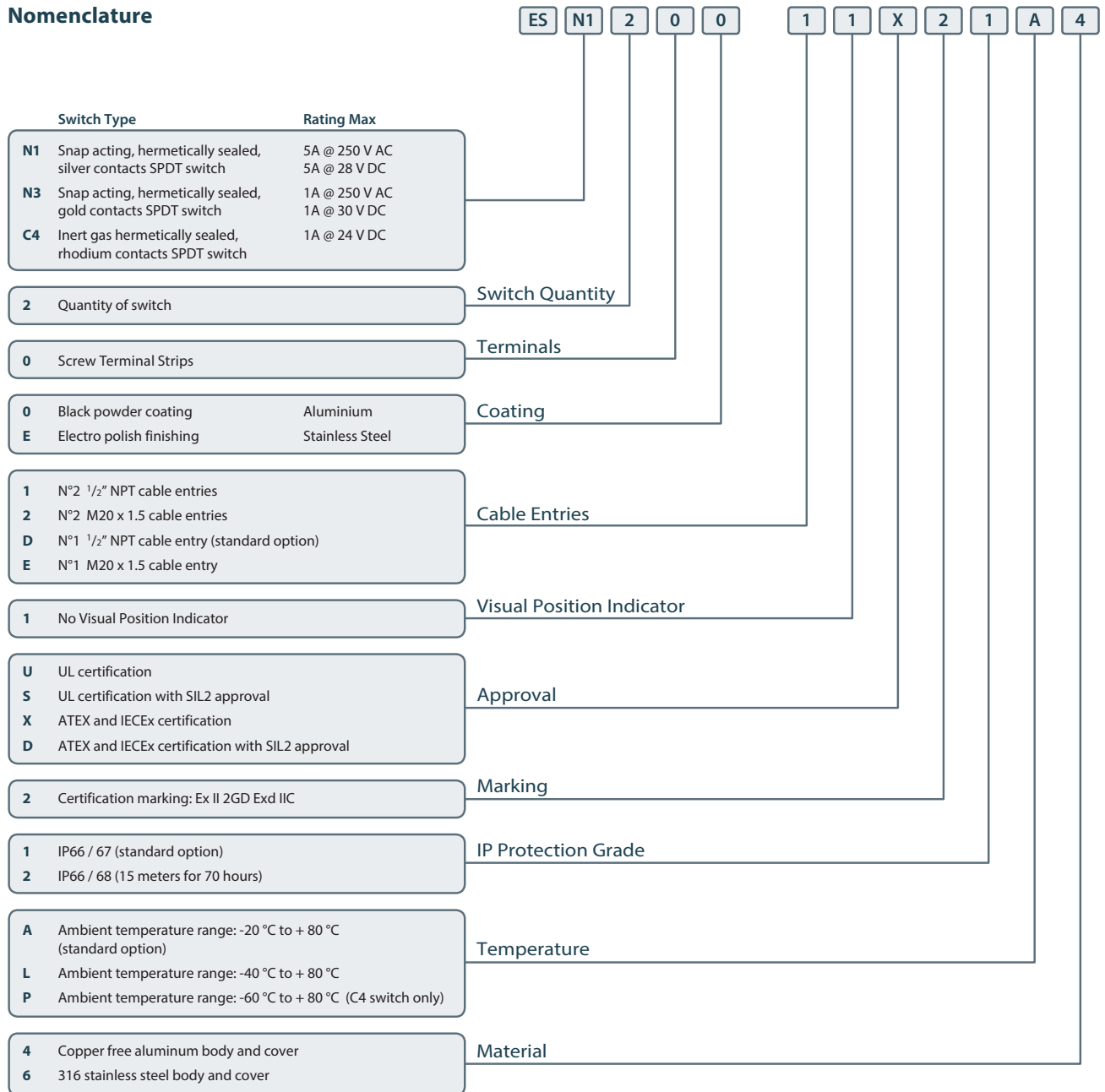
REED C4

- Hermetically sealed proximity reed switch
- Inert gas contact chamber
- Rating up to 1A @ 24 VDC
- Temperature range: -60 to +105 °C



Product Ordering Matrix

Nomenclature





www.soldo.net

Europe

Soldo SRL
60, Via Monte Baldo 25015
Desenzano Del Garda
Brescia, Italy

Tel: +39 030 9991309
Fax: +39 030 91419779
Email: sales@soldo.net

USA

Soldo USA LLC
3920 Westpoint Blvd.
Winston-Salem
NC 27103

Tel: +1 (336) 659 3400
Fax: +1 (336) 659 9323
Email: sales@soldousa.com

PUB109-006-00
Issue Date 11/14

As part of a process of on-going product development, Soldo reserves the right to amend and change specifications without prior notice. Published data may be subject to change. For the very latest version release, visit our website at www.soldo.net

The name Soldo® is a registered trademark. Soldo recognizes all registered trademarks.
Published and produced in the UK by Soldo. POWSH1014

