

SOLDO Limit Switchboxes

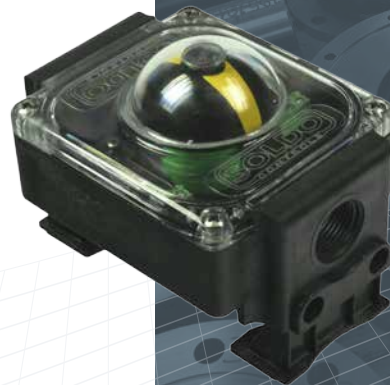
Weather proof and intrinsically safe range

SOLDO SP Series

The SOLDO SP series limit switch box provides a compact design and the most economical solution for both visual and remote electrical indication of rotary valve/actuator position. Integral NAMUR mounting legs provide additional cost saving by eliminating the need for a separate mounting bracket.

Application

The SP series is suitable for use in IP65 weather proof applications. Optionally it can be Exia certified by use of inductive NAMUR sensors and other dry contact switches.



Features

- Very compact design.
- Tool free adjustable high resolution splined cams.
- Integrated mounting legs and drive shaft conforming to NAMUR VDI/VDE3845 international dimension standards.

Indication

- Standard flat visual position indicator or optional 3D position indicator.

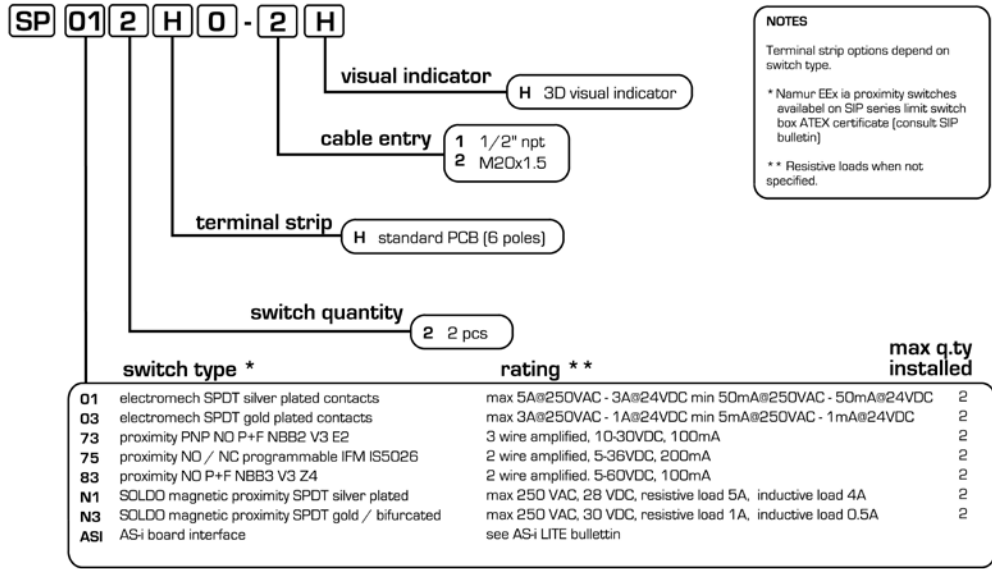
Electrical

- Mechanical switches are available for general purpose applications.
- Gold plated mechanical switches or proximity PNP are available for low current applications.

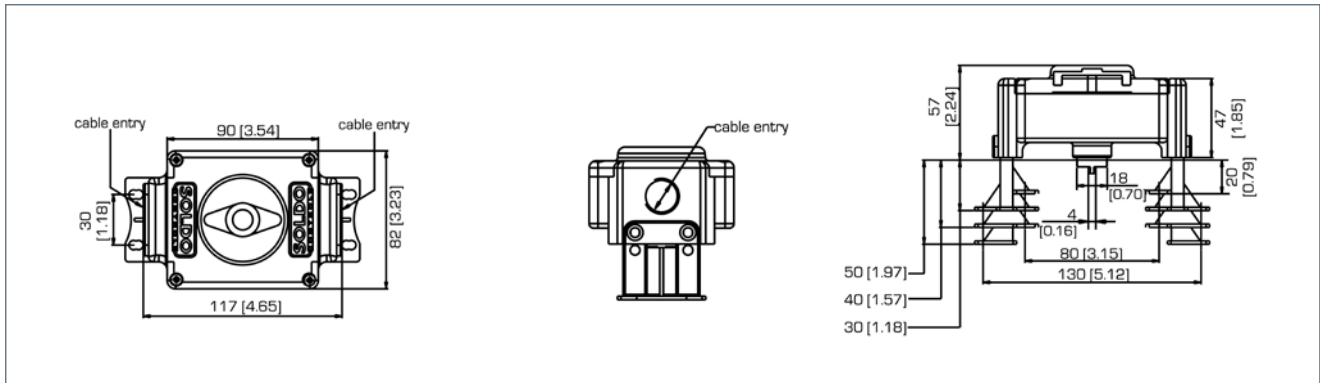
Enclosure

- UV resistant and VO polycarbonate cover and VO reinforced PPE body provide a very high mechanical resistance.
- Resin construction ideal for use in hostile environments.
- IP65 and Nema4 and 4X weather proof enclosure.
- M20x1.5 (optional 1/2" npt/f or PG13.5) cable entry. SP cable entry has a 15mm (1/2") thickness thread to prevent housing damage due to very heavy cables or cable glands.
- Standard ambient temperature range -15 °C +80 °C

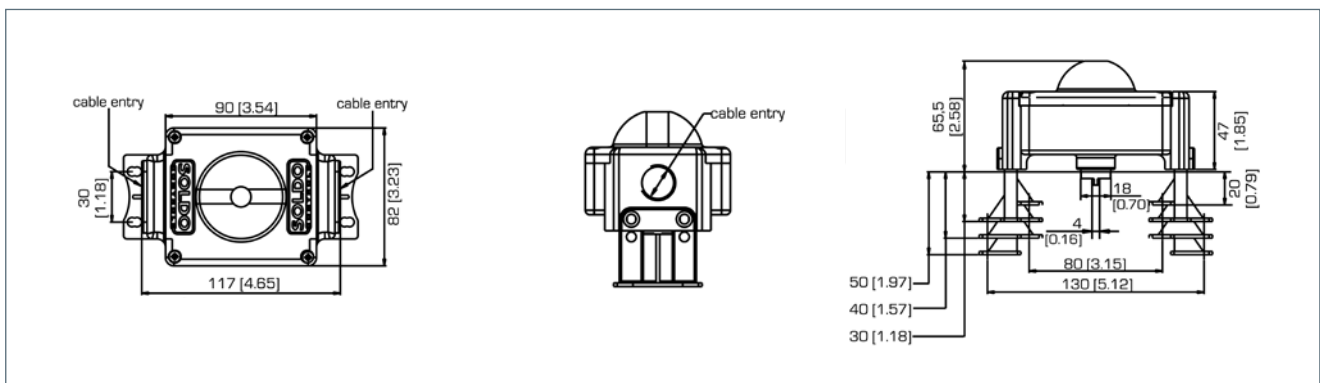
Standard Options Available - Nomenclature



Dimension With Flat Indicator (mm-inch)



Dimension With 3D Indicator (mm-inch)



SOLDO SK/SQ Series Explosion proof range



Visual and electrical feedback of the open and closed valve position. Compact explosion proof enclosure certified to ATEX and IECEx.

Application

Designed for use on all quarter-turn actuators requiring a certified explosion proof limit switchbox. The Soldo SK and SQ range of switchboxes can be installed in refineries, offshore platforms, power plants, petrochemical sites and all areas with ATEX and IECEx ZONE 1 / ZONE 2 rating.

Features

- Very compact design.
- Innovative concentric grooved flame path.
- Twin shaft design providing a simple installing operation without losing the matching between shaft and indicator.
- Tool free adjustable high resolution splined cams.
- Integrated adjustable mounting legs in SS for NAMUR actuators or ISO F05 mounting pattern and VDI/VDE3845 shaft.
- Stainless steel shaft mounted on self-lubricant bushings.

Certification

- ATEX certified: Ex II 2GD Ex d IIC T4/T5/T6 Gb Ex tb IIIC T85 °C/100 °C/135 °C IP66/67 or IP66/68 cert. No. Sira 12ATEX1098X.
- IECEx certified: Ex d IIC T4/T5/T6 Gb Ex tb IIIC T85 °C/100 °C/135 °C Db cert No. IECEx SIR 12.0036X.
- GOST R, RTN permit for Russian market.
- CCOE approval for Indian market.
- UL Certification in progress.

Electrical

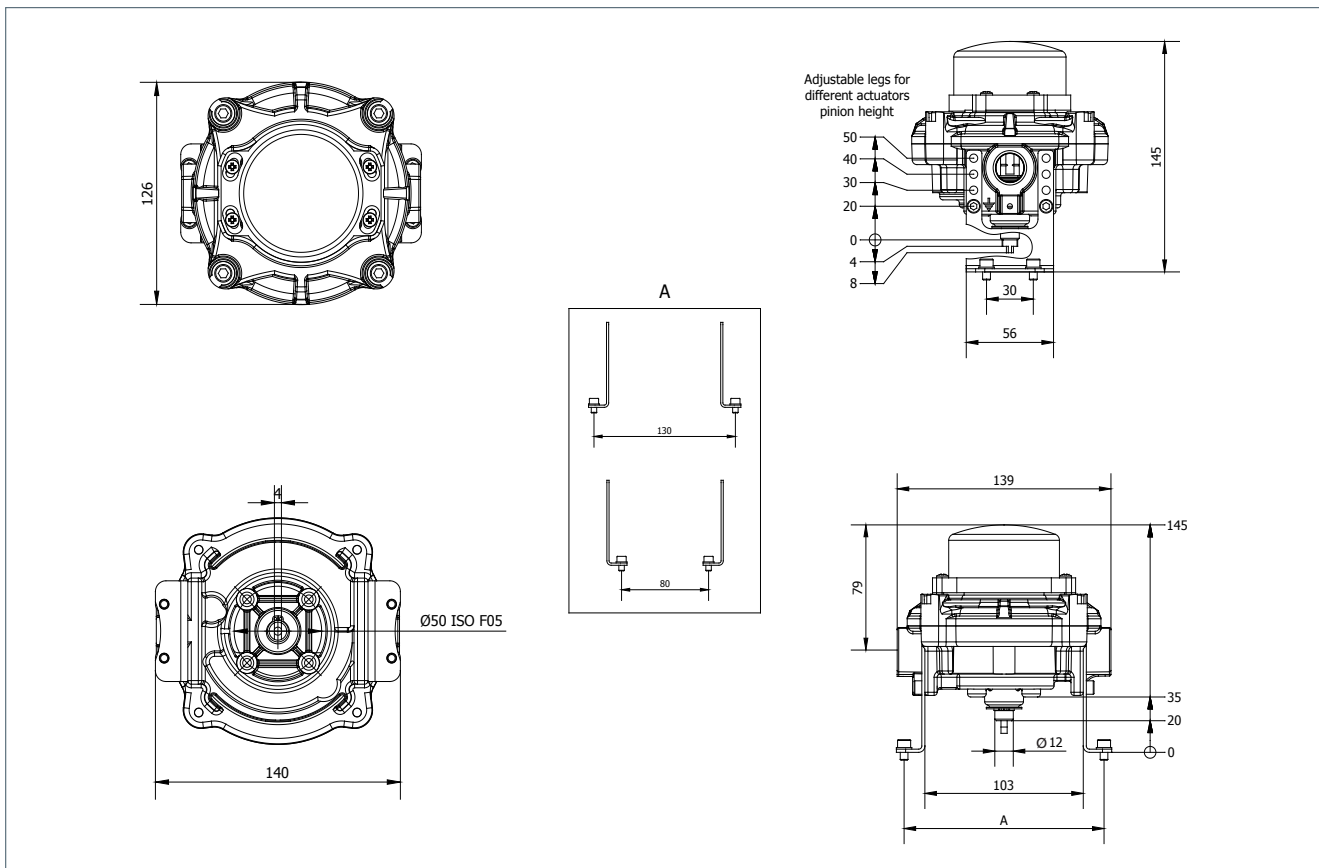
- Pre-wired PCB terminal strip with extra terminals (2 poles) for solenoid valve connection.
- N°2 SPDT or DPDT electromechanical switches, magnetically operated proximity SPDT or inductive proximity sensors.
- Choice of sensors and switches to cover majority of customer requirements.

Enclosure

- SK aluminum heavy duty body and cover painted outside and inside reducing damage due to humidity condensation.
- SQ 316L stainless steel heavy duty body and cover with electro-polished surface.
- Waterproof IP66 / 67 (IP66 / 68 on request).
- N°2 M20x1.5 or 1/2" NPT cable entries.
- Standard ambient temperature range -20 °C +80 °C.
- Optional low temperature to -55 °C.
- Optional high temperature to +105 °C (T4 gas class) without sun shade.
- Cover with captive bolts.

Indication

- Red and green 3D visual position indicator.
- UV resistant and V0 self-extinguishing polycarbonate indicator dome.
- Optional black and yellow or 3D stainless steel position indicator.



Other limit switchboxes available, please contact Rotork.

Rotork Gears UK will soon be moving to: 9 Brown Lane West, Holbeck, Leeds, West Yorkshire, LS12 6BH, England.

Rotork Gears BV
Nijverheidstraat 25
7581 PV Losser
P.O. Box 98
7580 AB Losser
The Netherlands

tel +31 (0)53-5388677
fax +31 (0)53-5383939
email info@rotorkgears.nl

Rotork Gears UK
Regina House
Ring Road
Bramley, Leeds
West Yorkshire LS13 4ET
England

tel +44 (0)113 2057276
email sales@rotorkgears.com

Rotork Gears Americas
1811 Brittmoore
Houston
Texas 77043
USA

tel +1 713 983 7381
fax +1 713 856 8022
email gears@rotorkgears.com

Rotork Gears S.R.L.
via Olona, 65/67
20015 Parabiago (MI)
Italy

tel +39 0331 552128
fax +39 0331 553147
email info@rotorkgears.it

Rotork Gears Shanghai
No. 260 Lian Cao Road
Xin Mei Urban Industrial Park
Min Hang District
Shang Hai 201108
China

tel 0086-21-33236200
fax 0086-21-64348366
email info@rotorkgears.com.cn

A full listing of our worldwide
sales and service network is
available on our website at

www.rotork.com

Rotork Gears India
165/166, Bommasandra,
Jigani Link Road,
Kiadb Industrial Area,
Anekal Thaluk, Jigani Hobli,
Bangalore 562106

tel +91 80 3098 1600
fax +91 80 3098 1610
email sales@rotork.co.in

Rotork Valvekits
Brookside Way
Nunn Park
Huthwaite
Nottinghamshire NG17 2NL
England

tel +44 (0)1623 440211
fax +44 (0)1623 440214
email sales@rotorkvalvekits.com

Rotork Valvekits Americas
Renfro Associates Inc
501 South 12th Street
Broken Arrow, OK
74012
USA

tel +1 (918) 259-8100
fax +1 (918) 259-9167
email info@renfroassociates.com