



Keeping the World Flowing for Future Generations

Rotork Fairchild's High Pressure - Pressure Reducing Regulator is suitable for 690 bar (10000 psig) inlet and outlet hydraulic and pneumatic applications.

Tapped exhaust port allows for convenient capture of vented media. Age hardened stainless alloy seat provides a unique combination of ultra high strength, toughness, and outstanding corrosion resistance. Zirconia oxide ceramic ball provides high strength and excellent wear resistance to provide a reliable, long-lasting unit in harsh applications.

Applications

- Wellhead Control Panels (WHCP)
- Topside and Subsea valve actuation
- Component testing
- Hydraulic Power Units (HPU's)

Features and Benefits

- Cartridge-style service insert allows quick change of the main valve and filter without removal from control panel or process lines thus preventing damage to fittings or regulator port threads
- Internal 40µ supply filter protects equipment from contamination at high differential pressures
- Ceramic main valve for severe service application, superior performance and enhanced product durability
- NACE compatible design
- High impact knob
- Piston-sensed design ensures safety and reliability
- Segregated captured vent for control of relief media

Specifications

Maximum Inlet Pressure

- 690 bar (10000 psig)

Ambient Operating Temperature

- -40 to +80 °C (-40 to +176 °F)

Flow Capacity

- Main valve: $C_v = 0.09$, Vent valve: $C_v = 0.11$

Leakage

- Main Valve: 0.05 drop/min

Weight

- 2.95 kg (6.5 lbs)

Design Proof Pressure

- 1.5 times maximum working pressure



High Pressure Regulator

Outlet Pressure Ranges

psig	bar
0-500	0-34.5
0-1000	0-69
0-1500	0-103
0-3000	0-207
0-5000	0-345
0-10000	0-690

Process Media Contact Materials

Body	316 Stainless Steel
Supply and Vent Seats	MP35N
Supply Valve	Zirconia Oxide Ceramic Ball
Internal Components	316 and 17-4 PH
Back-up Ring	PTFE
O-Rings	Nitrile or Fluorocarbon

Product Code **HPH - 1 - 1 - 2 - N - N - R**

Revision

Range

	psig	bar	kPa
1 =	0-500	0-35	0-3500
2 =	0-1000	0-69	0-6900
3 =	0-1500	0-103	7-10300
4 =	0-3000	0-207	0-20700
5 =	0-5000	0-345	0-34500
6 =	0-10000	0-690	0-69000

Port Size

2 = 1/4

Port Thread

N = NPTF
U = BSPT

Elastomers

N = Nitrile (-40 to +176 °F; -40 to +80 °C)
J = Fluorocarbon (-10 to +176 °F; -23 to +80 °C)

Relief

R = Relieving

22581 - 1 N

22823 - 1

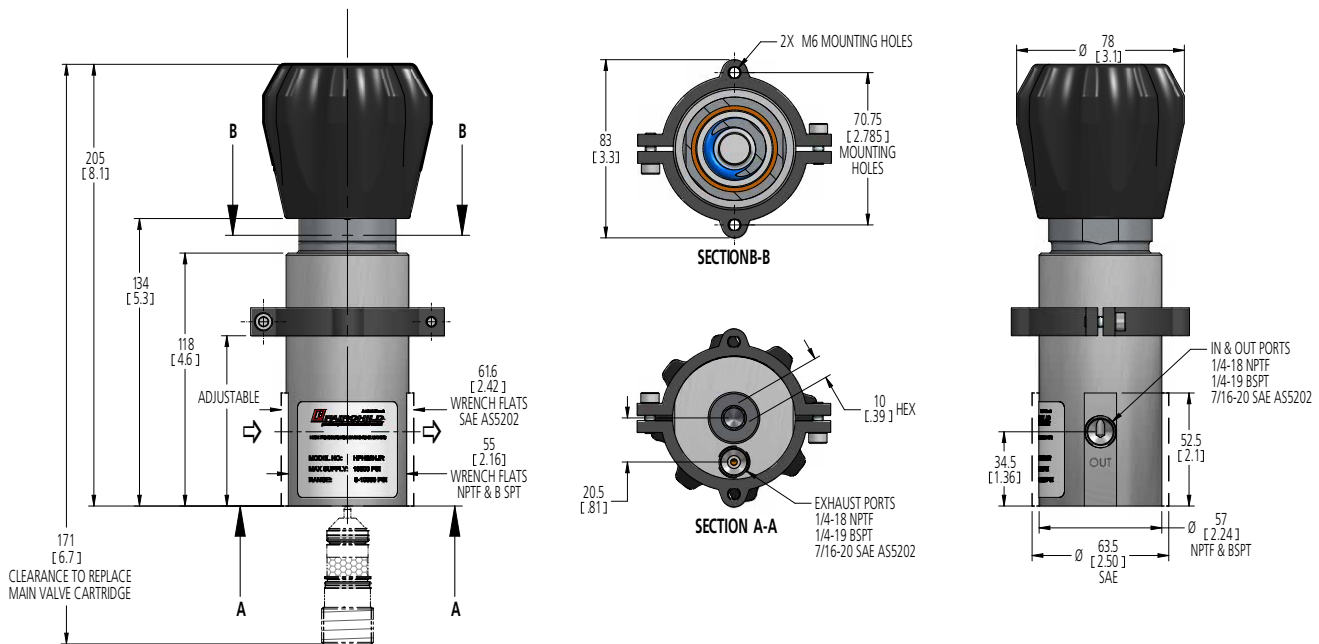
Replacement Cartridge

N = Nitrile
J = Fluorocarbon

Mounting Bracket Kit

Dimensions

All dimensions in mm with inches in brackets:
mm [inches]



A full listing of the Rotork sales and service network is available on our website.

www.rotork.com

Fairchild Industrial Products Company
3920 West Point Blvd
Winston-Salem, NC 27103
tel +1 (336) 659-3400
fax +1 (336) 659-9323
sales@fairchildproducts.com
www.fairchildproducts.com