

rotork® Instruments

Precision Control Low Pressure Electro-Pneumatic Transducers

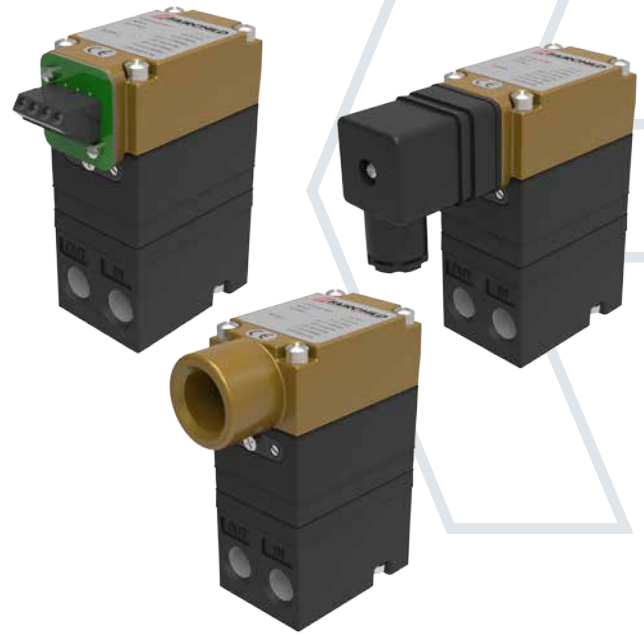
Rotork Fairchild's all new T7500 series I/P Transducer delivers the highest setpoint accuracy at low output pressure ranges of 0-2.5, 0-5, 0-7.5 and 0-15 psig. Output pressure ranges can be ranged down to as low as 0-1 psig.

Using proprietary pneumatic and electronic design, the T7500 accepts supply pressures from 20-30 psig (1.5-2 bar) and mA or VDC control signals to proportionally control the output pressure in very low ranges. While most transducers struggle to accurately and repeatedly hold a low pressure output setpoint, the T7500 will provide 0.25% or better accuracy at pressure ranges as low as 0-1 psig (0-69 mbar) output.

The T7500 is available in a variety of configurations for electrical connection and can be mounted with its standard supplied bracket or DIN rail mounted.

T7500 Main Features and Benefits

- Accepts 20-30 psig (1.5-2 bar) supply
- Controls output pressure ranges as low as: 0-1 psig (69 mbar)
- Accuracy to 0.25% guaranteed (0.10% typical) for high performance use
- RFI/EMI protection eliminates susceptibility to electromagnetic and radio interference
- Unaffected by vibration or mounting orientation
- Three styles of electrical connection interface
- Compact size for use in small spaces



I/P and E/P Transducers T7500

Specifications

Supply Pressure

- 20-30 psig (1.5-2.0 bar)

Accuracy (ISA S51.1)

- 0.25% Full scale guaranteed
- 0.10% Full scale typical

Flow Rate (SCFM)

- T7501: 3.0 (5.1 m³/hr) @ 30 psig (2 bar) supply 5 psig (0.3 bar) output
- T7502: 7.0 (11.9 m³/hr) @ 30 psig (2 bar) supply 5 psig (0.3 bar) output

Supply Voltages

- Three wire voltage input: 7.2 to 30 VDC, <3 mA

Control Signals

- 4-20 mA 2 wire
- 0-5 VDC 3 wire
- 0-10 VDC 3 wire

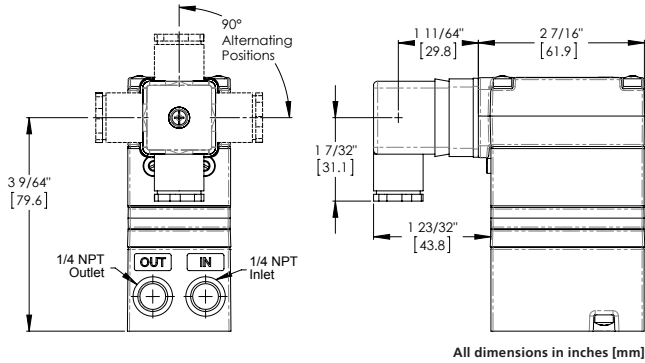
Materials of Construction

- Body and Housing: Chromate treated Aluminum
- Orifice: Nickel plated Brass & Sapphire
- Trim: Stainless steel, Brass & Zinc plated Steel
- Elastomers: Nitrile
- Finish: Epoxy powder coating

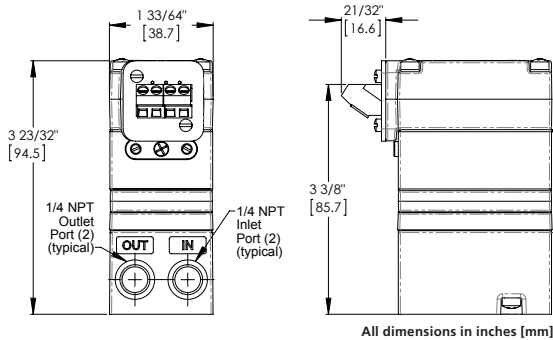


Dimensional Data

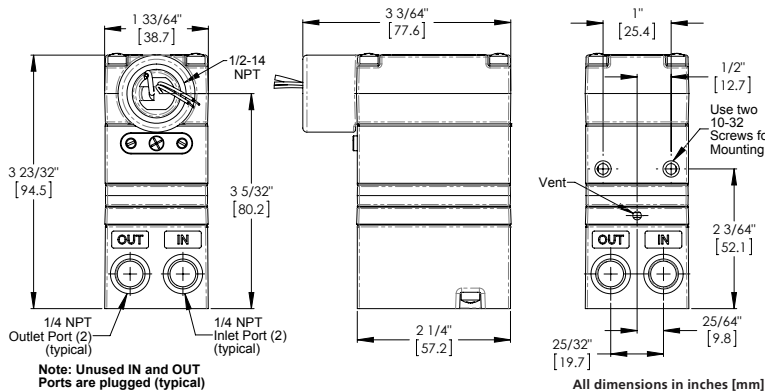
TD7500 Dimensions



TT7500 Dimensions



TA7500 Dimensions



Ordering Information

Catalog Number	T	<input type="checkbox"/>	75	<input type="checkbox"/>	<input type="checkbox"/>	<input type="checkbox"/>	<input type="checkbox"/>
Electrical Connection:							
1/2" NPT Conduit w/pigtail		A					
EN 175301-803		D					
Terminal Block		T					
Main Valve:							
3 scfm valve				01			
7 scfm valve				02			
Input:							
0-10 VDC				0			
4-20 mA				4			
0-5 VDC				7			
Output:							
0-2.5 psig						01	
0-5 psig						02	
0-7.5 psig						03	
0-15 psig						04	
0-0.17 bar						11	
0-0.35 bar						12	
0-0.5 bar						13	
0-1 bar						14	
0-17 kPa						21	
0-35 kPa						22	
0-50 kPa						23	
0-100 kPa						24	
Port Thread:							
NPTF							N
BSPT							U

A full listing of the Rotork sales and service network is available on our website.

www.rotork.com

Fairchild Industrial Products Company
3920 West Point Blvd
Winston-Salem, NC 27103
tel +1 (336) 659-3400
fax +1 (336) 659-9323
sales@fairchildproducts.com
www.fairchildproducts.com

Controls
Electric Actuators and Control Systems

Fluid Systems
Fluid Power Actuators and Control Systems

Gears
Gearboxes and Gear Operators

Instruments
Precision Control and Indication

Site Services
Projects, Services and Retrofit