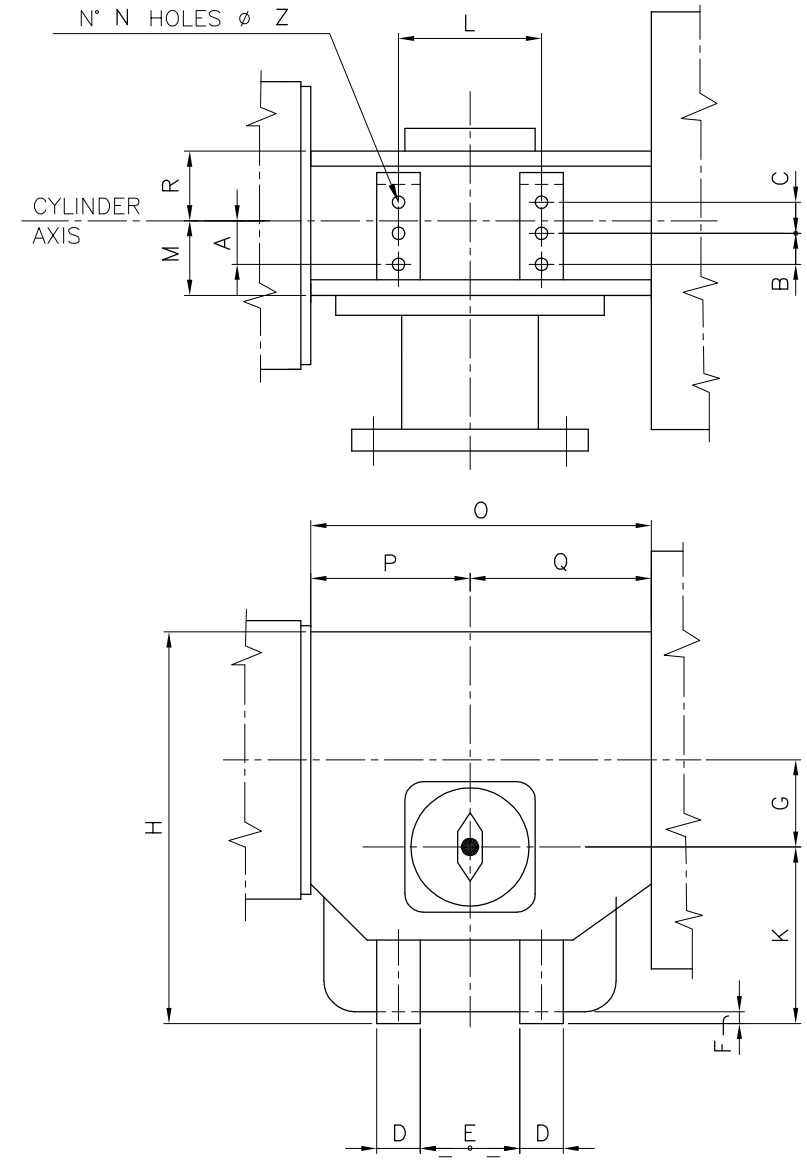


| MATERIAL | ACTUATOR TYPE | A | B | C | D | E | F | G | K | H | L | M | N | Z | O | P | Q | R | |
|------------|-----------------------|-----|------|-----|-----|-----|-----|----|-----|-------|------|-----|------|---|--------|------|-------|-------|-------|
| MILD STEEL | GP GH GO HPG | 040 | 19.5 | 40 | - | 45 | 90 | 4 | 40 | 100 | 200 | 150 | 59.5 | 4 | 12 | 192 | 96 | 96 | 48.5 |
| MILD STEEL | GP GH GO HPG | 060 | 34 | 40 | - | 45 | 90 | 4 | 60 | 105 | 233 | 150 | 72 | 4 | 12 | 236 | 118 | 118 | 63 |
| MILD STEEL | GP GH GO HPG | 065 | 40 | 55 | - | 50 | 100 | 8 | 65 | 145 | 341 | 150 | 80 | 4 | 14 | 355 | 165 | 190 | 68 |
| MILD STEEL | GP GH GO HPG | 085 | 40 | 55 | - | 50 | 100 | 10 | 85 | 150 | 381 | 150 | 80 | 4 | 14 | 415 | 195 | 220 | 68 |
| CAST IRON | | | 40 | 55 | - | - | - | - | 85 | 130 | 370 | 150 | 80 | 4 | M12x25 | 415 | 195 | 220 | 68 |
| MILD STEEL | GP GH GO HPG | 100 | 50 | 55 | 30 | 50 | 100 | 10 | 100 | 160 | 432 | 150 | 93 | 6 | 14 | 480 | 225 | 255 | 83 |
| MILD STEEL | GP GH GO HPG | 130 | 59 | 55 | 30 | 50 | 100 | 10 | 130 | 210 | 535 | 150 | 102 | 6 | 14 | 565 | 265 | 300 | 83 |
| CAST IRON | | | 68 | 55 | 55 | - | - | - | 130 | 161.5 | 517 | 150 | 113 | 6 | M12x30 | 577 | 271 | 306 | 99 |
| MILD STEEL | GP GH GO HPG | 160 | 74 | 55 | 55 | 50 | 100 | 10 | 160 | 240 | 658 | 150 | 127 | 6 | 14 | 720 | 340 | 380 | 104 |
| CAST IRON | GP GH GO HPG | 161 | 2.5 | 55 | 55 | - | - | - | 160 | 231.5 | 648 | 150 | 158 | 6 | M12x23 | 735 | 347.5 | 387.5 | 140.5 |
| MILD STEEL | GP GH GO HPG | 161 | 74 | 55 | 55 | 50 | 100 | 10 | 160 | 240 | 661 | 150 | 150 | 6 | 14 | 720 | 340 | 380 | 127 |
| MILD STEEL | GP GH GO HPG | 200 | 95 | 55 | 55 | 50 | 100 | 10 | 200 | 280 | 785 | 150 | 153 | 6 | 14 | 900 | 425 | 475 | 127 |
| MILD STEEL | GP GH GO HPG | 201 | 105 | 55 | 55 | 50 | 100 | 10 | 200 | 280 | 815 | 150 | 163 | 6 | 14 | 900 | 425 | 475 | 138 |
| MILD STEEL | GP GH GO HPG | 270 | 117 | 55 | 55 | 50 | 100 | 10 | 270 | 310 | 952 | 150 | 180 | 6 | 14 | 1090 | 510 | 580 | 162 |
| MILD STEEL | GP GH GO HPG | 271 | 127 | 55 | 55 | 50 | 100 | 10 | 270 | 340 | 982 | 150 | 210 | 6 | 14 | 1090 | 510 | 580 | 190 |
| MILD STEEL | GP GH GO HPG | 350 | 207 | 100 | 100 | 100 | 200 | 20 | 350 | 520 | 1500 | 300 | 360 | 6 | 17 | 1740 | 820 | 920 | 360 |



ALL DIMENSIONS ARE IN MM

rotork
fluid system

COUPLING ADAPTION
FOR POWER CONTROL UNITS

| | | | |
|------|----------|---------|----------|
| 09 | 07.06.12 | MARLIA | NICOLINI |
| 08 | 31.07.06 | BERNINI | BARSOTTI |
| 00 | 02.11.95 | Camoni | Pisaroni |
| rev. | date | drawn | check |

GD00198-040