

rotork®

Process Controls

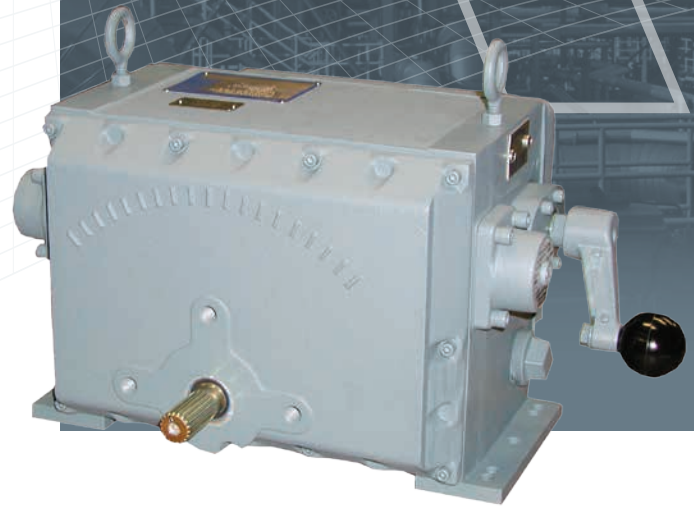
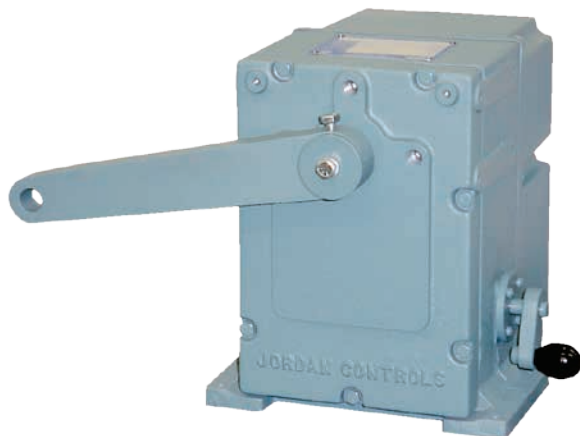
SM-1700/5000 Rotary Actuators

Rotork Process Controls designs and manufactures high quality, durable actuators designed for trouble-free performance under the most demanding conditions.

The SM-1700/5000 Series of rotary actuators are internally geared to produce up to 12,500 lbf.ft (16,950 Nm) of torque, and offer continuous modulation. They are ideally suited for dampers, vanes, valves and other process control applications requiring exact positioning control. All SM-1700/5000 Series actuators are also available with an internal amplifier (excluding SM-1740, SM-1760 and SM-5140). These amplifiers are all full-featured AC switching devices designed to work seamlessly with the actuator for closed loop control.

Features

- Torques from 50 to 12,500 lbf.ft (67 to 16,950 Nm)
- Rotation 90 degrees to 120 degrees
- Modulating duty: 2,000 starts per hour
- Manual override standard
- Automatic torque limiting
- Self locking drive system to hold in last position and prevent back driving up to torque rating.
- AC input power (single or three-phase); DC input power version for SM-1700 only.
- Temperature range from -40 to 185 °F (-40 to 85 °C).



SM-1700/5000 Series Rotary Actuators

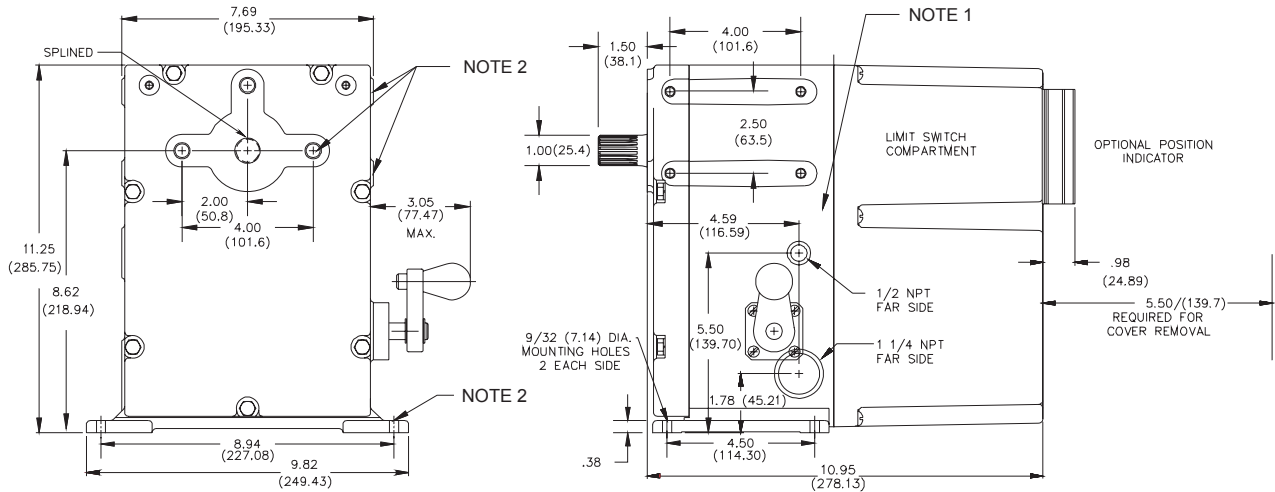


Redefining Flow Control

rotork®

Process Controls

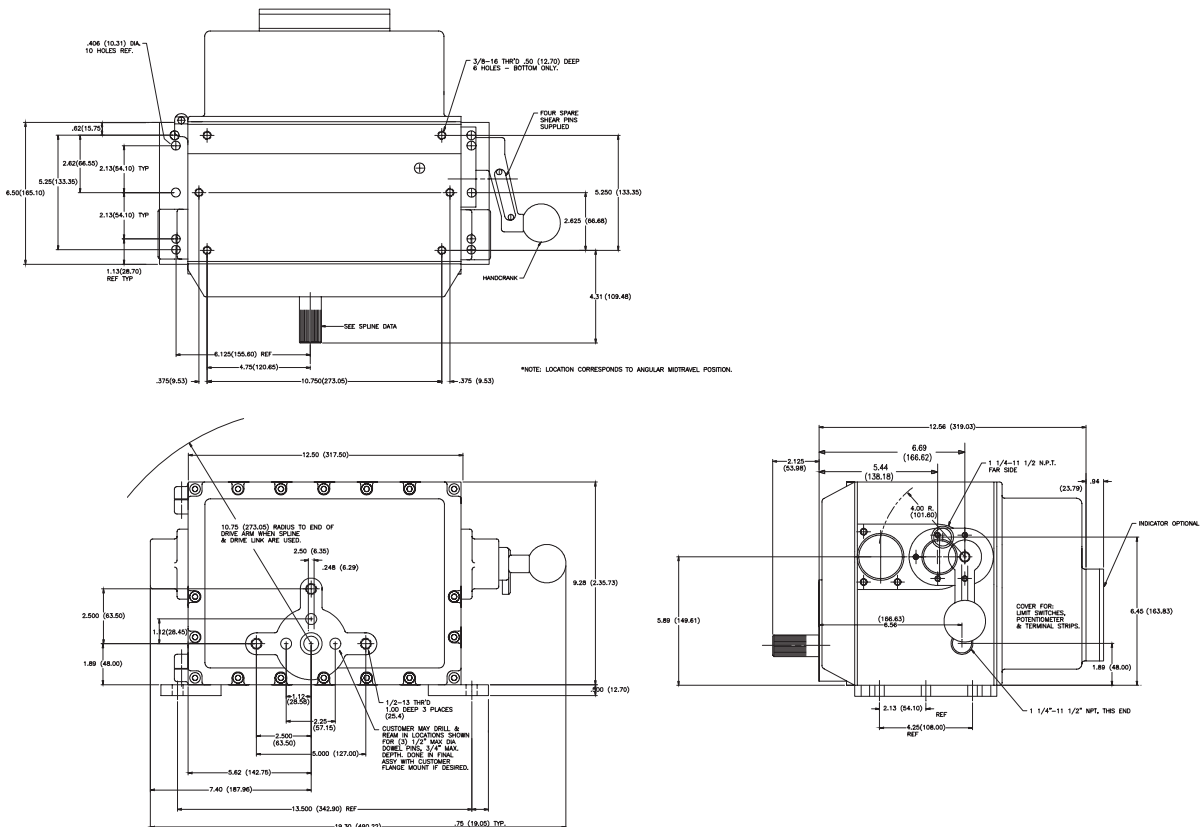
SM-1700 Major Dimensions



Notes:

1. The optional local toggle switches are located on these surfaces.
2. The SM-1700 series actuators can be foot, face or side mounted.

SM-5100 Major Dimensions

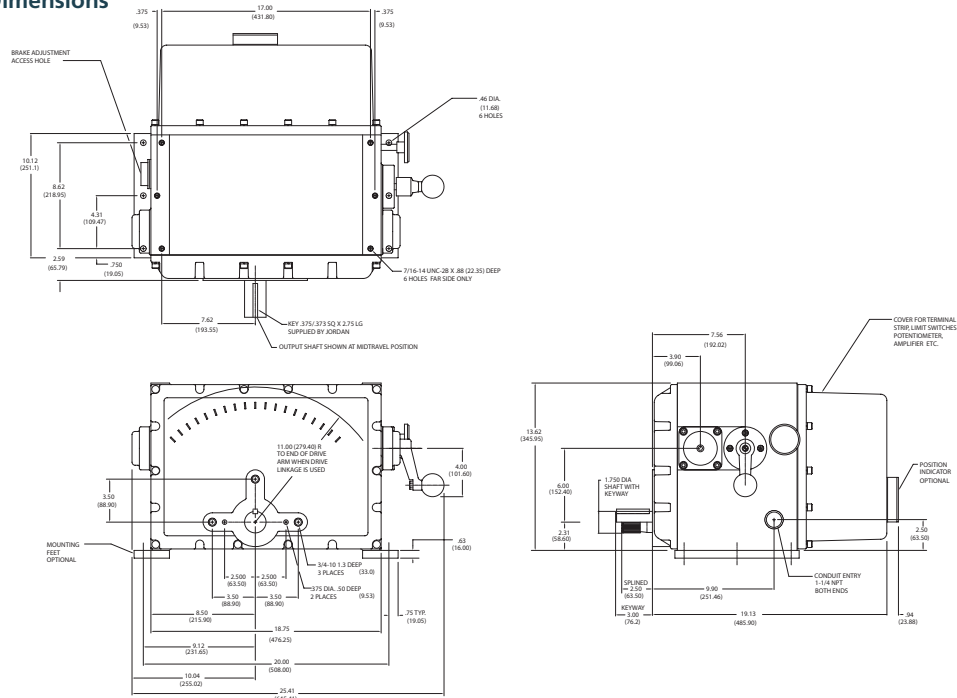


Redefining Flow Control

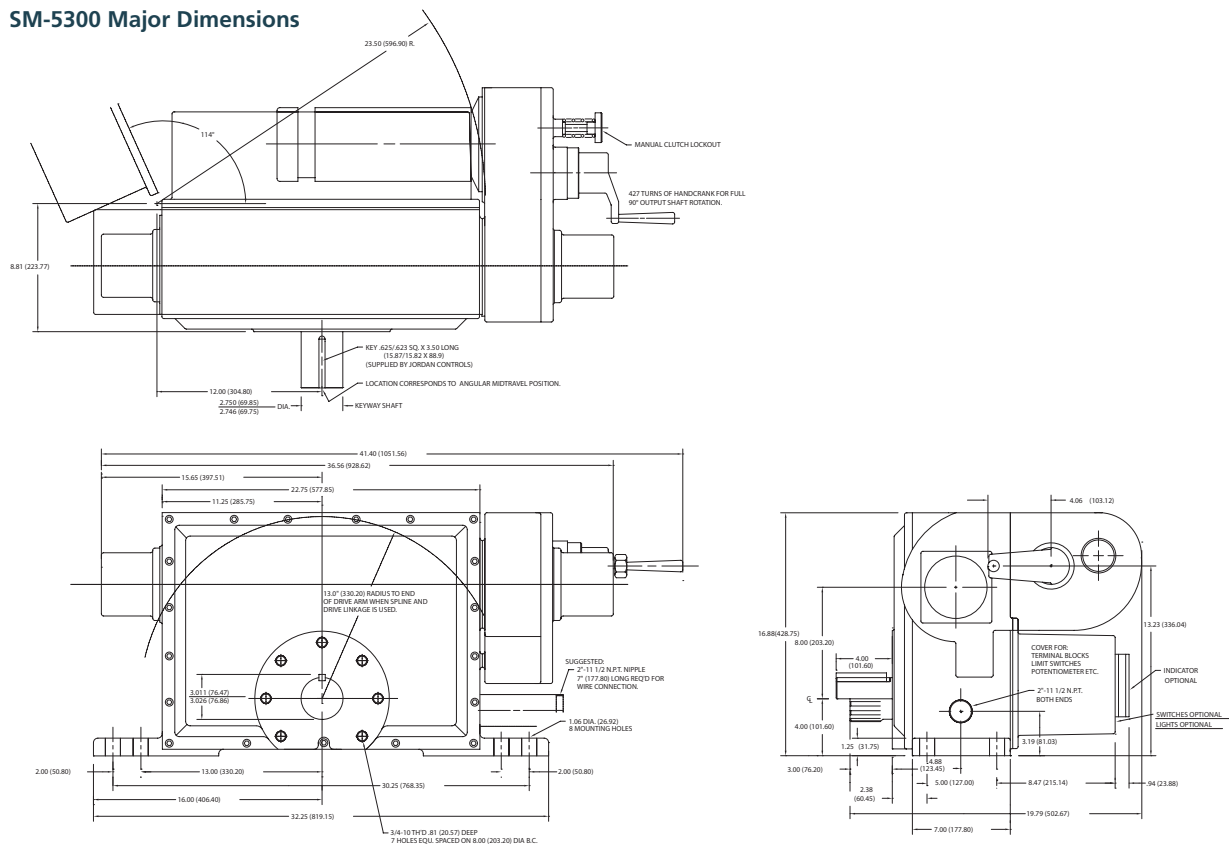
SM-1700/5000 Series

Rotary Actuators

SM-5200 Major Dimensions



SM-5300 Major Dimensions



These dimensions are subject to change without notice and should not be used for preparation of drawings or fabrication of installation mounting. For current installation manuals and other product information, see www.rotork.com.

SM-1700 Specifications

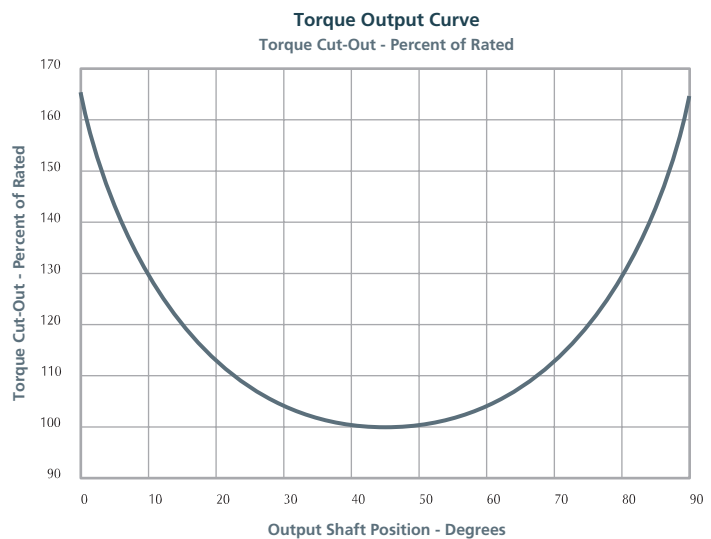
- Rotation: 0° to 360°, set at factory (Less than 90° consult factory).
- Drive Train: Spur gearing.
- Input Power: See specification chart on next page.
- Torque: Up to 2,400 lbf.in (271 Nm).
- Speed: 12 to 60 seconds for 90° rotation 48 to 240 seconds for 360° rotation For faster speeds, consult factory.
- Temperature Limits: -40 to +185 °F (-40 to +85 °C). For greater temperature ranges, consult factory.
- Enclosure: Cast aluminum.

SM-5000 Advantages:

- Allows use of smaller torque rated actuators for nonlinear loads.
- Aids in linearization of linkage driven loads.
- Allows actuators to be selected based on position related torque rather than peak plus safety factor.
- Assures high seating and unseating torque without oversizing of the actuator.

SM-5000 Series Scotch-Yoke Drive Torque Characteristics

The SM-5000 Series actuators utilize a scotch-yoke drive for transforming linear motion from a traveling nut to the rotary motion on the output shaft. The characteristics of the scotch yoke drive are such that the torque output varies with shaft position as shown below.



Performance data

Model	Enclosure Certification	Max. Torque lbf.ft (Nm)	Seconds for quarter-turn at Max. Torque	Min. Torque lbf.ft (Nm)	Seconds for quarter-turn at Min. Torque	Max. Rotation Degrees	Manual Override	Weight lbs (kg)
SM-1700	IP65 CSA	200 (271)	60	50 (67)	12	120	Yes	40 (18)
SM-5100	IP65 CSA	300 (406)	29	150 (203)	16	90	Yes	80 (36)
SM-5200	IP65	1000 (1355)	28	600 (813)	28	90	Yes	210 (95)
SM-5300	IP65	3200 (4338)	47	1600 (2169)	23	90	Yes	350 (158)
SM-5400	IP65	12500 (16950)	70	5000 (6779)	40	90	Yes	565 (256)

A full listing of our worldwide sales and service network is available on our website.

www.rotork.com

UK
Rotork plc
tel +44 (0)1225 733200
fax +44 (0)1225 333467
email mail@rotork.com

USA
Rotork Process Controls
tel +1 (414) 461 9200
fax +1 (414) 461 1024
email rpcinfo@rotork.com

Controls
Electric Actuators and Control Systems

Fluid Systems
Fluid Power Actuators and Control Systems

Gears
Gearboxes and Gear Operators

Site Services
Projects, Services and Retrofit

