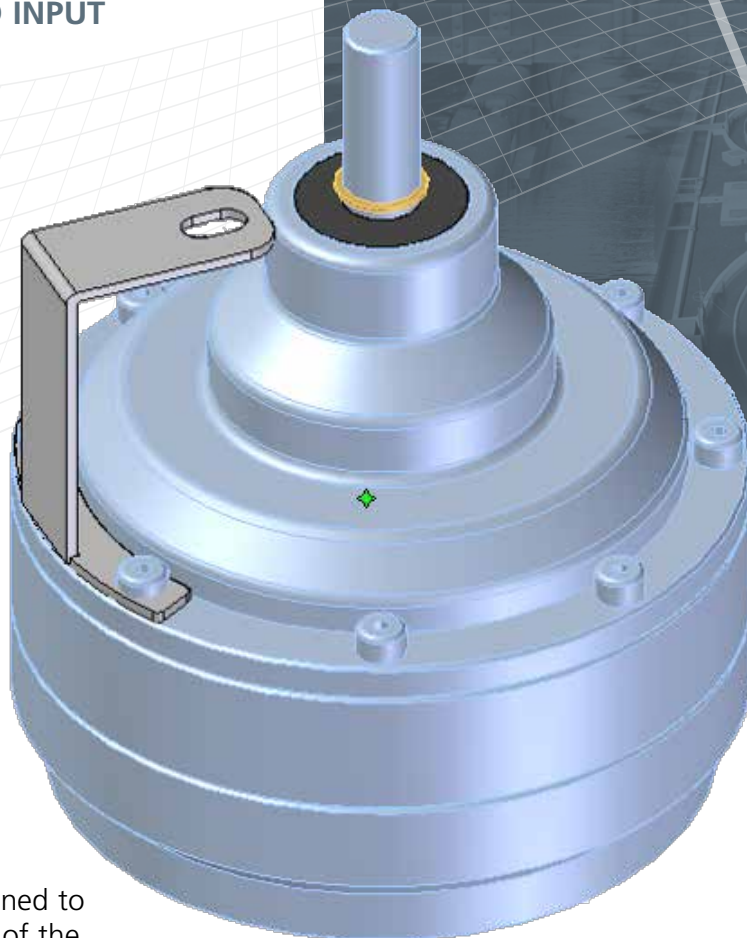


rotork®

Gears

Padlock Device

FOR DSIR - DUAL SPEED INPUT
REDUCER



DSIR Padlock Device designed to prevent unauthorised use of the gearbox

Rotork Gears BV
Nijverheidstraat 25
7581 PV Losser
P.O. Box 98
7580 AB Losser
The Netherlands

tel +31 (0)53-5388677
fax +31 (0)53-5383939
email info@rotorkgears.nl

Rotork Gears UK
9 Brown Lane West
Holbeck
Leeds
West Yorkshire LS12 6BH
England

tel +44 (0)113 2567922
email sales@rotorkgears.com

Rotork Gears Americas
1811 Brittmooore
Houston
Texas 77043
USA

tel +1 713 983 7381
fax +1 713 856 8022
email gears@rotorkgears.com

Rotork Gears S.R.L.
via Olona, 65/67
20015 Parabiago (MI)
Italy

tel +39 0331 552128
fax +39 0331 553147
email info@rotorkgears.it

Rotork Gears Shanghai
No. 260 Lian Cao Road
Xin Mei Urban Industrial Park
Min Hang District
Shang Hai 201108
China

tel 0086-21-33236200
fax 0086-21-64348388
email info@rotorkgears.com.cn

A full listing of our worldwide sales and service network is available on our website at

www.rotork.com

Rotork Gears India
165/166, Bommasandra,
Jigani Link Road,
Kiadb Industrial Area,
Anekal Thaluk, Jigani Hobli,
Bangalore 562106

tel +91 80 3098 1600
fax +91 80 3098 1610
email sales@rotork.co.in

Rotork Valvekits
Brookside Way
Nunn Park
Huthwaite
Nottinghamshire NG17 2NL
England

tel +44 (0)1623 440211
fax +44 (0)1623 440214
email sales@rotorkvalvekits.com

Rotork Valvekits Americas
Renfro Associates Inc
501 South 12th Street
Broken Arrow, OK
74012
USA

tel +1 (918) 259-8100
fax +1 (918) 259-9167
email info@renfroassociates.com