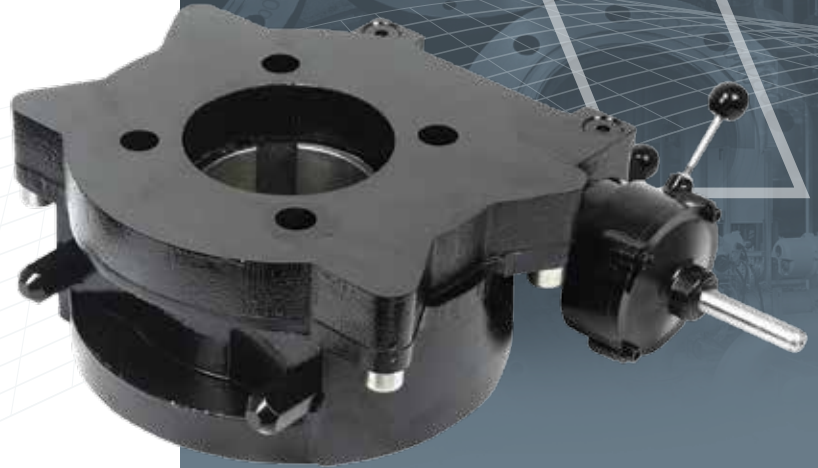


rotork®

Gears

ILGD-K Series

Cast Iron Housing
Declutchable Gear Operators



ILGD-K Series Gear Operators

The Rotork Gears ILGD-K gear operators are designed to provide a means of manually overriding pneumatic valve actuators in power and process applications. These gear operators employ a declutchable design for use with double-acting actuators. To ensure long life, the housing is sealed to IP68 and the input shaft is made from stainless steel.

Application

The Rotork Gears series ILGD-K operators are used in all industries where reliable manual operation of double acting actuators is required. All units mount between the valve and actuator and may be supplied with an ISO drive shaft.

As an option, a 3/2 spool valve can be fitted, to automatically evacuate air from the actuator when the manual override lever is engaged.

Features:

- SS input shaft
- Cast iron housing
- Rugged construction
- Axial needle bearings
- SS Fasteners
- Low profile design
- Planetary input reducer
- Integral top flange
- IP68 enclosure rating
- -4 to +392 °F temp range
- Travel $\pm 5^\circ$ adjustable
- Torque range to 154,600 lbf.in

Options:

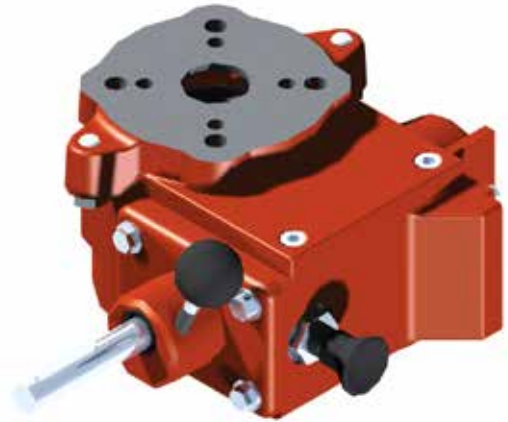
- Padlock
- 3/2 Relief bleed off valve
- Ductile iron housing

Keeping the World Flowing

rotork® Gears

Type	Ratio	Torque (In. Lbs)		M.A. ± 15%	Weight lb
		Output	Input		
ILGD 100K	40	1330	115	11	10.4
ILGD 200K	35	2210	230	9.5	16.2
ILGD 600K	46	6640	530	12.4	37.7
ILGD 900K	43	12832	1105	11.6	46.2
ILGD 1500K	57	22000	1420	15.4	75.6
ILGD 2400K	68	30000	1665	18	118.8
ILGD 5000K	104	66000	2640	25	178
ILGD 8000K	312	72000	1062	68	200
ILGD 16000K	468	150460	1240	121	200

Note: Because of the company's policy of continuous improvement, Rotork Gears reserves the right to change specification details without prior notice. The static safety factor is 1.5. The published M.A. is achieved after a few cycles.



Material specification for Rotork ILGD-K Series Gear Operators

No.	Description	Material	Notes
1	Eccentric rack	Cast Iron	GG25 / ASTM A48-40
2	Body	Cast Iron	GG25 / ASTM A48-40
3	Worm shaft	Carbon Steel	-
4	Worm	Hardened Steel	-
5	Quadrant	Ductile Iron	GGG40 / ASTM D60-40-18
6	Coverplate	Cast Iron	GG25 / ASTM A48-40
7	Adaptor Plate	Cast Iron	GG25 / ASTM A48-40
8	Hex nut	Stainless Steel	DIN 934
9	Latchbolt + nut	Stainless Steel / Plastic	-
10	Countersunk Screw	Stainless Steel	8.8 / DIN 799
11	Hex socket head cap screw	Stainless Steel	8.8 / DIN 912
12	Hex nut	Stainless Steel	DIN 934
13	Copperring	Copper	DIN 7603A
14	Dowel pin	Steel	DIN 7603A
15	O-ring*	Viton	-
16	O-ring	Viton	-
17	Set screw	Steel	12.9 / DIN 915
18	Stud	Stainless Steel	DIN 938
19	Ball knob	Plastic	PF/ Fs 31
20	Set screw	Steel	8.8 / DIN 916
21	Dowel pin*	Steel	DIN 7603A
22	Grease	Luplex	-
23	Thrust bearing	Hardened Steel	-
24	Input reducer housing*	Ductile Iron	GGG40 / ASTM D60-40-18
25	Planet gear*	Hardened Steel	-
26	Input shaft*	Protected Steel	-
27	Planet carrier*	Steel	-
28	Dowel pin*	Steel	DIN 7603A
29	Key*	Steel	-
30	Oil-seal	Viton	-
31	Spring lock washers	Steel zinc plated	DIN 125A
32	Hex socket head cap screw	Stainless Steel	8.8 / DIN 912
33	Sungear*	Hardened Steel	-
34	Input reducer cover*	Ductile Iron	GGG40 / ASTM D60-40-18
35	O-ring*	Viton	-
36	O-ring	Viton	-

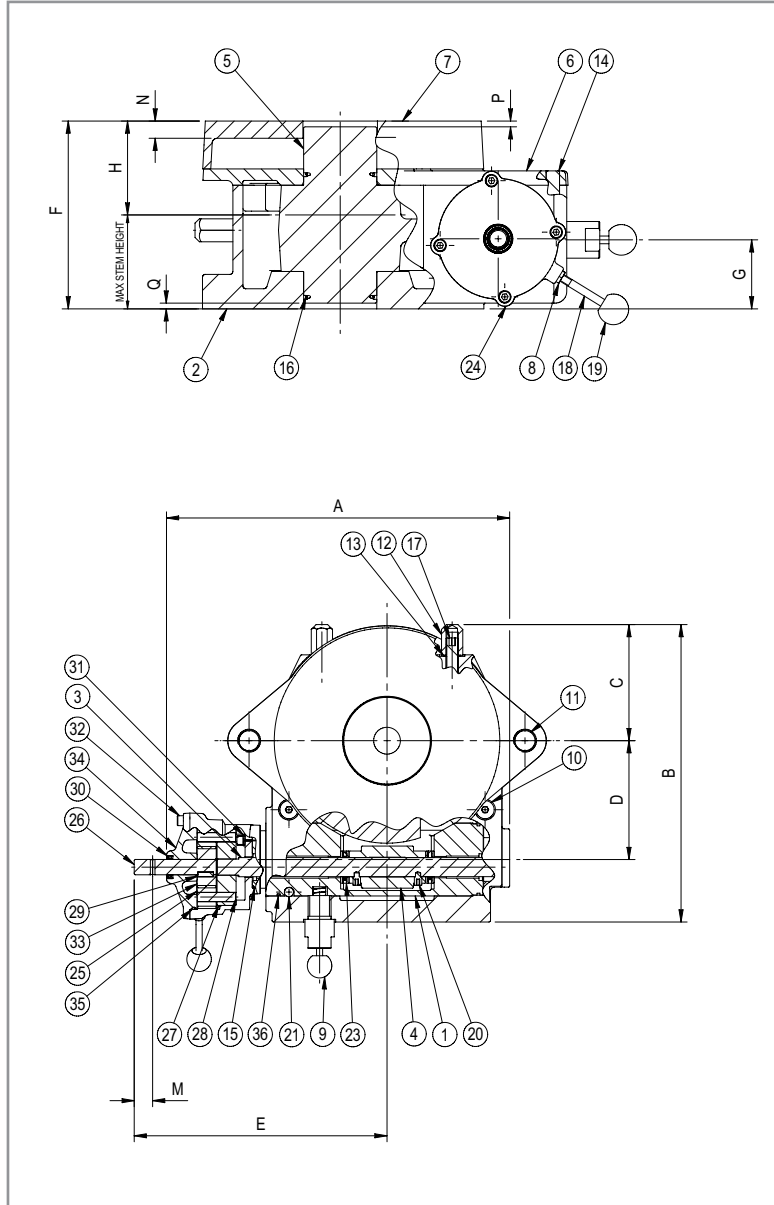
NOTE: Ductile Iron housing is optional. The ILGD-K range of gearboxes is not designed to accept side loading. Parts list may vary with gearbox type. Parts marked * are for gearboxes with an input reducer only.

Keeping the World Flowing

ILGD-K Series

Cast Iron Housing Declutchable Gear Operators

Gearbox ILGD-K Series



Type	Max. bore	Max. stem height
ILGD 100K	Ø0.625 [0.625	0.625
ILGD 200K	Ø1.000 [1.000	0.875
ILGD 600K	Ø1.625 [1.500	1.375
ILGD 900K	Ø1.875 [1.875	1.625
ILGD 1500K	Ø1.875 [1.875	1.750
ILGD 2400K	Ø2.250 [2.250	2.000
ILGD 5000K	Ø2.750 [2.750	2.625
ILGD 8000K	Ø2.750 [2.750	2.625
ILGD 16000K	Ø5.250 [4.500	4.375



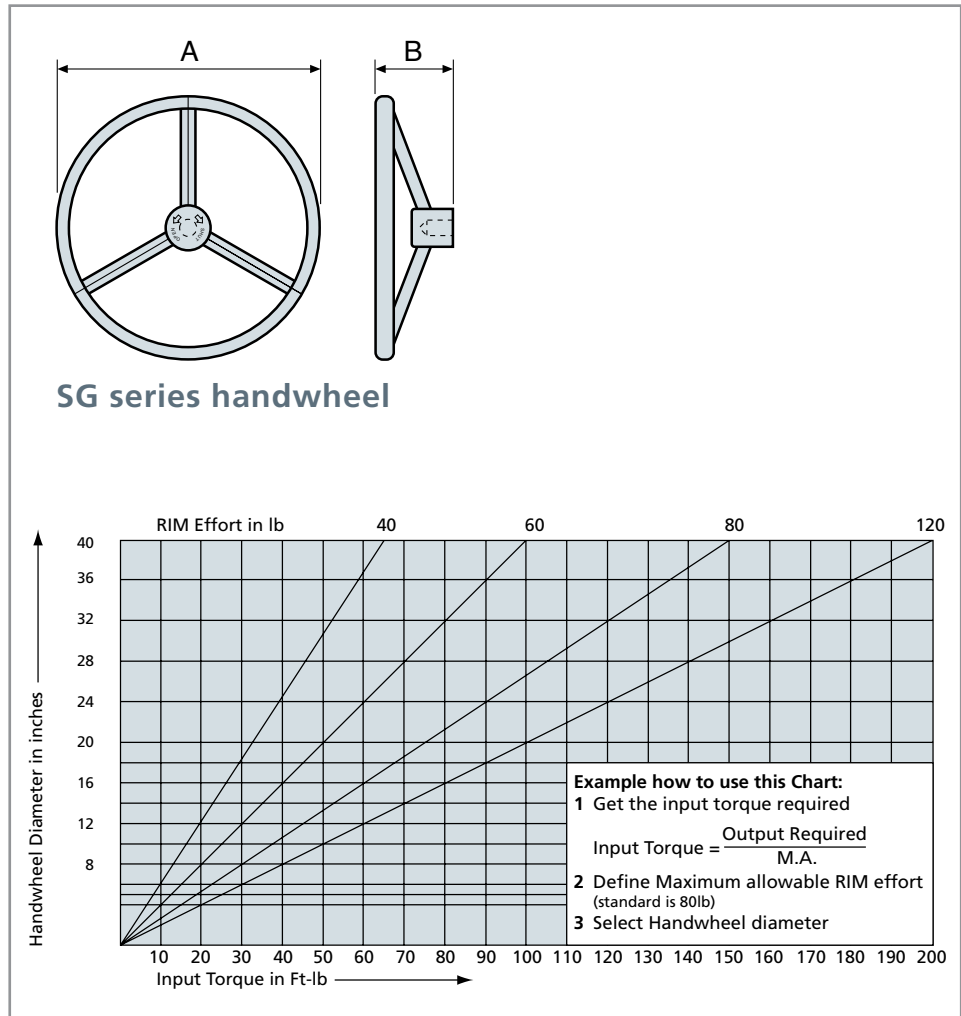
Type	A	B	C	D	E	F	G	H	ØK	M	P	Q	Valve Connection	Act. Connection
ILGD 100K	6.18	5.94	2.03	1.67	5.41	3.35	1.34	1.65	0.47	0.55	0.08	0.08	F05/F07	FA05/FA07
ILGD 200K	6.50	6.54	2.46	2.09	6.22	4.06	1.65	2.00	0.59	0.55	0.12	0.16	F05/F07	FA05/FA07
ILGD 600K	8.23	8.48	3.96	2.54	7.44	4.92	2.01	2.36	0.59	0.55	0.24	0.16	F07/F10/F12	FA07/FA10/FA12
ILGD 900K	9.55	9.47	3.70	3.33	7.42	5.55	2.22	2.76	0.79	0.94	0.16	0.16	F10/F12/F14	FA10/FA12/FA14
ILGD 1500K	10.49	11.56	4.96	4.23	4.23	5.67	2.17	2.83	0.79	0.94	0.24	0.20	F10/F12/F14/F16	FA12/FA14/FA16
ILGD 2400K	11.81	13.19	5.14	5.00	9.61	6.34	2.44	3.15	0.98	1.10	0.24	0.28	F12/F14/F16	FA14/FA16
ILGD 5000K	13.23	15.28	3.35	6.10	11.26	7.72	2.83	3.86	0.98	1.10	0.24	0.24	F16/F25	FA16/FA25
ILGD 8000K	17.64	15.28	3.35	6.10	14.69	7.72	2.83	3.86	0.79	0.94	0.24	0.24	F16/F25	FA16/FA25
ILGD 16000K	17.72	17.32	6.81	7.48	13.68	6.50	2.40	3.25	0.79	0.94	1.22	0.16	F25/F30	FA25/FA30

All dimensions in inches.

Dimensions

Type	A	B
SG200	Ø8"	3,15"
SG250	Ø10"	4,33"
SG300	Ø12"	4,53"
SG350	Ø14"	4,72"
SG400	Ø16"	5,12"
SG450	Ø18"	5,91"
SG500	Ø20"	5,91"
SG600	Ø24"	5,91"
SG700	Ø28"	5,91"
SG800	Ø32"	5,91"
SG900	Ø36"	6,30"
SG1000	Ø40"	6,30"

Handwheel Selection Chart



Rotork Gears UK
9 Brown Lane West
Holbeck
Leeds
West Yorkshire LS12 6BH
England

tel +44 (0)113 2567922
email sales@rotorkgears.com

Rotork Gears BV
Nijverheidstraat 25
7581 PV Losser
P.O. Box 98
7580 AB Losser
The Netherlands

tel +31 (0)53-5388677
fax +31 (0)53-5383939
email info@rotorkgears.nl

Rotork Gears Americas
1811 Brittmoore
Houston
Texas 77043
USA

tel +1 713 983 7381
fax +1 713 856 8022
email gears@rotorkgears.com

Rotork Gears Shanghai
No. 260 Lian Cao Road
Xin Mei Urban Industrial Park
Min Hang District
Shang Hai 201108
China

tel +86-21-33236200
fax +86-21-64348388
email info@rotorkgears.com.cn

Rotork Gears S.R.L.
Viale Europa 17
20090 Cusago (MI)
Italy

tel +39 0290 16711
fax +39 0290 390368
email rgsl.sales@rotork.com

Rotork Gears India
165/166, Bommasandra,
Jigani Link Road,
Kiadb Industrial Area,
Anekal Thaluk, Jigani Hobli,
Bangalore 562106

tel +91 80 3098 1600
fax +91 80 3098 1610
email sales@rotork.co.in

Rotork Valvekits
Brookside Way
Nunn Park
Huthwaite
Nottinghamshire NG17 2NL
England

tel +44 (0)1623 440211
fax +44 (0)1623 440214
email sales@rotorkvalvekits.com

Rotork Valvekits Americas
501 South 12th Street
Broken Arrow, OK
74012
USA

tel +1 (918) 259-8100
fax +1 (918) 259-9167
email usasales@rotorkvalvekits.com

Roto Hammer Industries
2804 W. 40th St.
Tulsa, Oklahoma
74107
USA

tel +1 918 446 3500
fax +1 918 446 6218
email sales@rotohammer.com

A full listing of our worldwide sales and service network is available on our website at

www.rotork.com