

NOTE 3 CONTROL PANEL INTERFACE ACCORDING TO DWG. GD00198-050

NOTE 2 ACTUATOR INTERFACE ACCORDING TO DWG. GD00198-010

NOTE 1 MICROSWITCHES GROUP INTERFACE ACCORDING TO DWG. GD00227

D ACCORDING TO VALVE FLANGE

X HYDRAULIC CONNECTION

rotork
fluid system

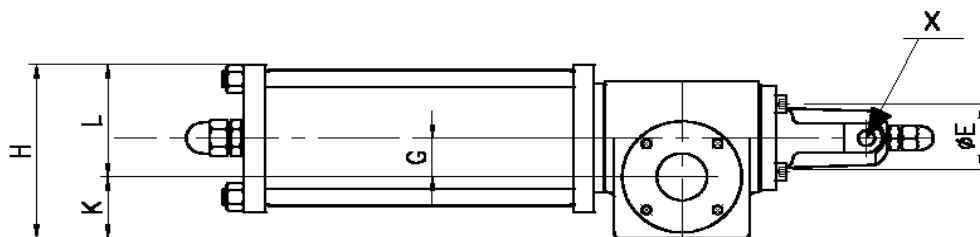
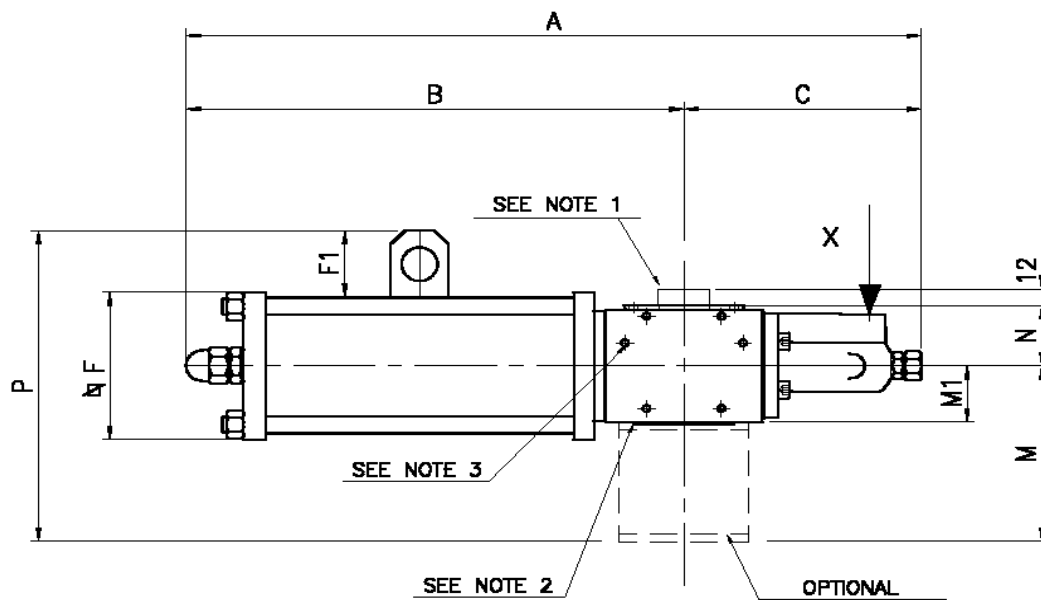
SINGLE ACTING HYDRAULIC ACTUATOR
FAIL TO OPEN
OVERALL DIMENSIONS

02	10.06.05	BERNINI	BARSAOTTI
01	07.05.02	BONGIOVANNI	PISARONI
00	11.02.02	BONGIOVANNI	PISARONI
rev.	date	drawn	check

ORHA000ADC

RH - SPRING RETURN - FAIL OPEN - ORHA000ADC REV.2

ACTUATOR MODEL	A	B	C	ØE	F	F1	G	H	K	L	M1	M	N	P	Displ. (litres)	X (NPT)	weight (Kg)	ACTUATOR MODEL
RH-015-030*/O0	525	345	180	45	110	50	29	130	46	84	42	160	44	261	0.029	1/4"	17	RH-015-030*/O0
RH-015-030*/O1	525	345	180	45	110	50	29	130	46	84	42	160	44	261	0.029	1/4"	17	RH-015-030*/O1
RH-015-030*/O2	535	355	180	45	140	50	29	145	46	99	42	160	44	277	0.029	1/4"	23	RH-015-030*/O2
RH-030-035*/O0	620	395	225	50	140	50	42	167	55	112	51	170	53	287	0.059	1/4"	30	RH-030-035*/O0
RH-030-035*/O1	620	395	225	50	140	50	42	167	55	112	51	170	53	287	0.059	1/4"	29	RH-030-035*/O1
RH-060-045*/O0	645	400	245	65	140	50	47	177	60	117	60	180	62	297	0.112	1/4"	35	RH-060-045*/O0
RH-060-045*/O1	695	450	245	65	205	50	47	210	60	150	60	180	62	327	0.112	1/4"	45	RH-060-045*/O1
RH-060-045*/O2	695	450	245	65	205	50	47	210	60	150	60	180	62	327	0.112	1/4"	43	RH-060-045*/O2
RH-120-060*/O0	810	510	300	85	205	50	56	228	69	159	70	190	73	337	0.237	1/4"	55	RH-120-060*/O0
RH-120-060*/O1	810	510	300	85	205	50	56	228	69	159	70	190	73	337	0.237	1/4"	55	RH-120-060*/O1
RH-120-060*/O2	950	650	300	85	255	70	56	253	69	184	70	190	73	383	0.237	1/4"	97	RH-120-060*/O2
RH-120-060*/O3	950	650	300	85	255	70	56	253	69	184	70	190	73	383	0.237	1/4"	99	RH-120-060*/O3
RH-240-070*/O0	1070	675	395	100	255	70	75	295	92	203	85	205	88	398	0.431	1/4"	119	RH-240-070*/O0
RH-240-070*/O1	1070	675	395	100	255	70	75	295	92	203	85	205	88	398	0.431	1/4"	120	RH-240-070*/O1
RH-240-070*/O2	1070	675	395	100	255	70	75	295	92	203	85	215	88	408	0.431	1/4"	122	RH-240-070*/O2
RH-240-070*/O3	1135	740	395	100	330	70	75	332	92	240	85	235	88	467	0.431	1/4"	122	RH-240-070*/O3
RH-240-070*/O4	1135	740	395	100	330	70	75	332	92	240	85	295	88	527	0.431	1/4"	153	RH-240-070*/O4
RH-240-070*/O5	1115	720	395	100	415	70	75	375	92	283	85	205	88	479	0.431	1/4"	243	RH-240-070*/O5
RH-240-090*/O0	1080	675	405	115	255	70	75	295	92	203	85	205	88	398	0.712	1/2"	120	RH-240-090*/O1
RH-240-090*/O1	1080	675	405	115	255	70	75	295	92	203	85	205	88	398	0.712	1/2"	121	RH-240-090*/O1
RH-240-090*/O2	1080	675	405	115	255	70	75	295	92	203	85	215	88	408	0.712	1/2"	123	RH-240-090*/O2
RH-240-090*/O3	1145	740	405	115	330	70	75	332	92	240	85	265	88	497	0.712	1/2"	123	RH-240-090*/O3
RH-240-090*/O4	1145	740	405	115	330	70	75	332	92	240	85	205	88	437	0.712	1/2"	154	RH-240-090*/O4
RH-240-090*/O5	1125	720	405	115	415	70	75	375	92	283	85	205	88	479	0.712	1/2"	244	RH-240-070*/O5



NOTE 3 CONTROL PANEL INTERFACE ACCORDING TO DWG. GD00198-050

NOTE 2 ACTUATOR INTERFACE ACCORDING TO DWG. GD00198-010

NOTE 1 MICROSWITCHES GROUP INTERFACE ACCORDING TO DWG. GD00227

D ACCORDING TO VALVE FLANGE

X HYDRAULIC CONNECTION

rotork
fluid system

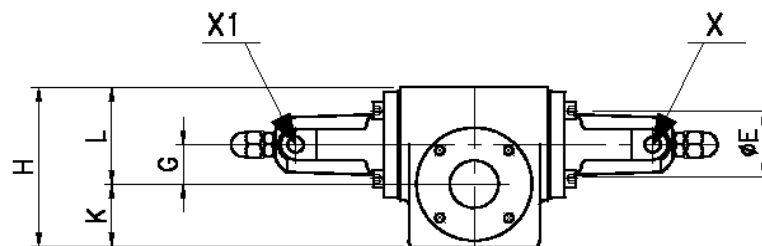
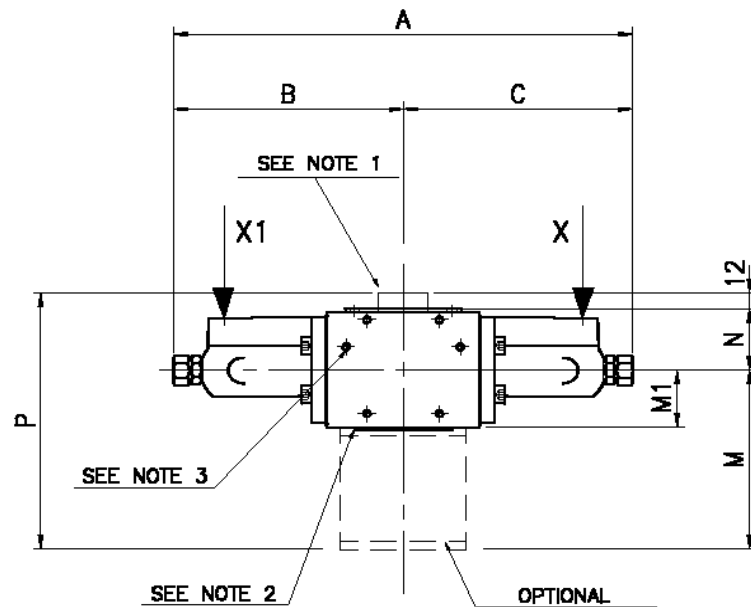
SINGLE ACTING HYDRAULIC ACTUATOR
FAIL TO CLOSE
OVERALL DIMENSIONS

02	10.06.05	BERNINI	BARSAOTTI
01	06.06.02	BONGIOVANNI	PISARONI
00	11.02.02	BONGIOVANNI	PISARONI
rev.	date	drawn	check

ORHC000ADC

RH - SPRING RETURN - FAIL CLOSE - ORHC000ADC REV.2

ACTUATOR MODEL	A	B	C	ØE	F	F1	G	H	K	L	M1	M	N	P	Displ. (litres)	X (NPT)	weight (Kg)	ACTUATOR MODEL
RH-015-030*/C0	525	345	180	45	110	50	29	130	46	84	42	160	44	261	0.029	1/4"	17	RH-015-030*/C0
RH-015-030*/C1	525	345	180	45	110	50	29	130	46	84	42	160	44	261	0.029	1/4"	17	RH-015-030*/C1
RH-015-030*/C2	535	355	180	45	140	50	29	145	46	99	42	160	44	277	0.029	1/4"	23	RH-015-030*/C2
RH-030-035*/C0	620	395	225	50	140	50	42	167	55	112	51	170	53	287	0.059	1/4"	30	RH-030-035*/C0
RH-030-035*/C1	620	395	225	50	140	50	42	167	55	112	51	170	53	287	0.059	1/4"	29	RH-030-035*/C1
RH-060-045*/C0	645	400	245	65	140	50	47	177	60	117	60	180	62	297	0.112	1/4"	35	RH-060-045*/C0
RH-060-045*/C1	695	450	245	65	205	50	47	210	60	150	60	180	62	327	0.112	1/4"	45	RH-060-045*/C1
RH-060-045*/C2	695	450	245	65	205	50	47	210	60	150	60	180	62	327	0.112	1/4"	43	RH-060-045*/C2
RH-120-060*/C0	810	510	300	85	205	50	56	228	69	159	70	190	73	337	0.237	1/4"	55	RH-120-060*/C0
RH-120-060*/C1	810	510	300	85	205	50	56	228	69	159	70	190	73	337	0.237	1/4"	55	RH-120-060*/C1
RH-120-060*/C2	950	650	300	85	255	70	56	253	69	184	70	190	73	383	0.237	1/4"	97	RH-120-060*/C2
RH-120-060*/C3	950	650	300	85	255	70	56	253	69	184	70	190	73	383	0.237	1/4"	99	RH-120-060*/C3
RH-240-070*/C0	1070	675	395	100	255	70	75	295	92	203	85	205	88	398	0.431	1/4"	119	RH-240-070*/C0
RH-240-070*/C1	1070	675	395	100	255	70	75	295	92	203	85	205	88	398	0.431	1/4"	120	RH-240-070*/C1
RH-240-070*/C2	1070	675	395	100	255	70	75	295	92	203	85	215	88	408	0.431	1/4"	122	RH-240-070*/C2
RH-240-070*/C3	1135	740	395	100	330	70	75	332	92	240	85	235	88	467	0.431	1/4"	122	RH-240-070*/C3
RH-240-070*/C4	1135	740	395	100	330	70	75	332	92	240	85	295	88	527	0.431	1/4"	153	RH-240-070*/C4
RH-240-070*/C5	1115	720	395	100	415	70	75	375	92	283	85	205	88	479	0.431	1/4"	243	RH-240-070*/C5
RH-240-090*/C0	1080	675	405	115	255	70	75	295	92	203	85	205	88	398	0.712	1/2"	120	RH-240-090*/C0
RH-240-090*/C1	1080	675	405	115	255	70	75	295	92	203	85	205	88	398	0.712	1/2"	121	RH-240-090*/C1
RH-240-090*/C2	1080	675	405	115	255	70	75	295	92	203	85	215	88	408	0.712	1/2"	123	RH-240-090*/C2
RH-240-090*/C3	1145	740	405	115	330	70	75	332	92	240	85	265	88	497	0.712	1/2"	123	RH-240-090*/C3
RH-240-090*/C4	1145	740	405	115	330	70	75	332	92	240	85	205	88	437	0.712	1/2"	154	RH-240-090*/C4
RH-240-090*/C5	1125	720	405	115	415	70	75	375	92	283	85	205	88	479	0.712	1/2"	244	RH-240-090*/C5



- NOTE 3 CONTROL PANEL INTERFACE ACCORDING TO DWG. GD00198-050
 NOTE 2 ACTUATOR INTERFACE ACCORDING TO DWG. GD00198-010
 NOTE 1 MICROSWITCHES GROUP INTERFACE ACCORDING TO DWG. GD00227
 D ACCORDING TO VALVE FLANGE
 X-X1 HYDRAULIC CONNECTION

rotork
fluid system

DOUBLE ACTING HYDRAULIC ACTUATOR

OVERALL DIMENSIONS

02	10.06.05	BERNINI	BARSOITI
01	07.06.02	BONGIOVANNI	PISARONI
00	11.02.02	BONGIOVANNI	PISARONI
rev.	date	drawn	check

ORHD000ADC

RH - DOUBLE ACTING - ORHD000ADC REV.2

ACTUATOR MODEL	A	B	C	ØE	G	H	K	L	M1	M	N	P	Displ. (litres)	X (NPT)	weight (Kg)	ACTUATOR MODEL
RH-015-030*/D2	360	180	180	45	29	122	46	76	42	160	44	216	0.029	1/4"	15	RH-015-030*/D2
RH-030-035*/D2	450	225	225	50	42	149	55	94	51	170	53	235	0.059	1/4"	22	RH-030-035*/D2
RH-060-045*/D2	490	245	245	65	47	182	60	122	60	180	62	254	0.112	1/4"	26	RH-060-045*/D2
RH-120-060*/D2	600	300	300	85	56	197	69	128	70	190	73	275	0.237	1/4"	38	RH-120-060*/D2
RH-240-070*/D2	790	395	395	100	75	254	92	162	85	205	88	305	0.431	1/4"	63	RH-240-070*/D2
RH-240-090*/D2	810	405	405	115	75	254	92	162	85	205	88	305	0.712	1/4"	63	RH-240-090*/D2