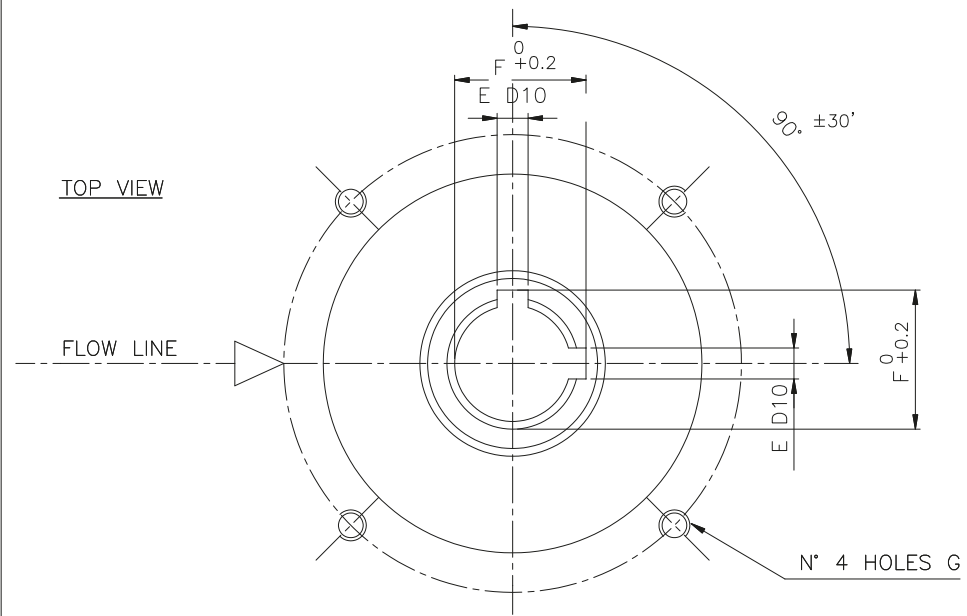


ACTUATOR TYPE	$\phi A$	$\phi B$	$\phi C$	$\phi D$	E	F	F1	G	H	L	$\phi M$
RH-15 RP-15 GO-15	70	-	102	20	6	22.8	-	M10	12	60	118
RH-30 RP-30 GO-30	85	-	125	35	10	38.3	-	M12	17	70	143
RH-60 RP-60 GO-60	85	-	125	40	12	43.3	-	M12	17	80	143
RH-120 RP-120 GO-120	100	-	140	50	14	53.8	-	M16	22	100	170
RH-240 RP-240 GO-240	130	-	165	65	18	69.4	-	M20	26	130	200



THE SLOTS OF THE KEY ARE SHOWN WITH THE ACTUATOR IN CLOSED POSITION

ALL DIMENSIONS ARE IN MM



COUPLING DIMENSIONS

04	14.07.05	BERNINI	BARSAOTTI
03	29.11.04	CATELLI	BERNINI
02	05.03.98	CAMONI	PISARONI
01	02.06.97	CAMONI	PISARONI
00	12.09.95	BARILLI	PISARONI
rev.	date	drawn	check
GD00198-010			