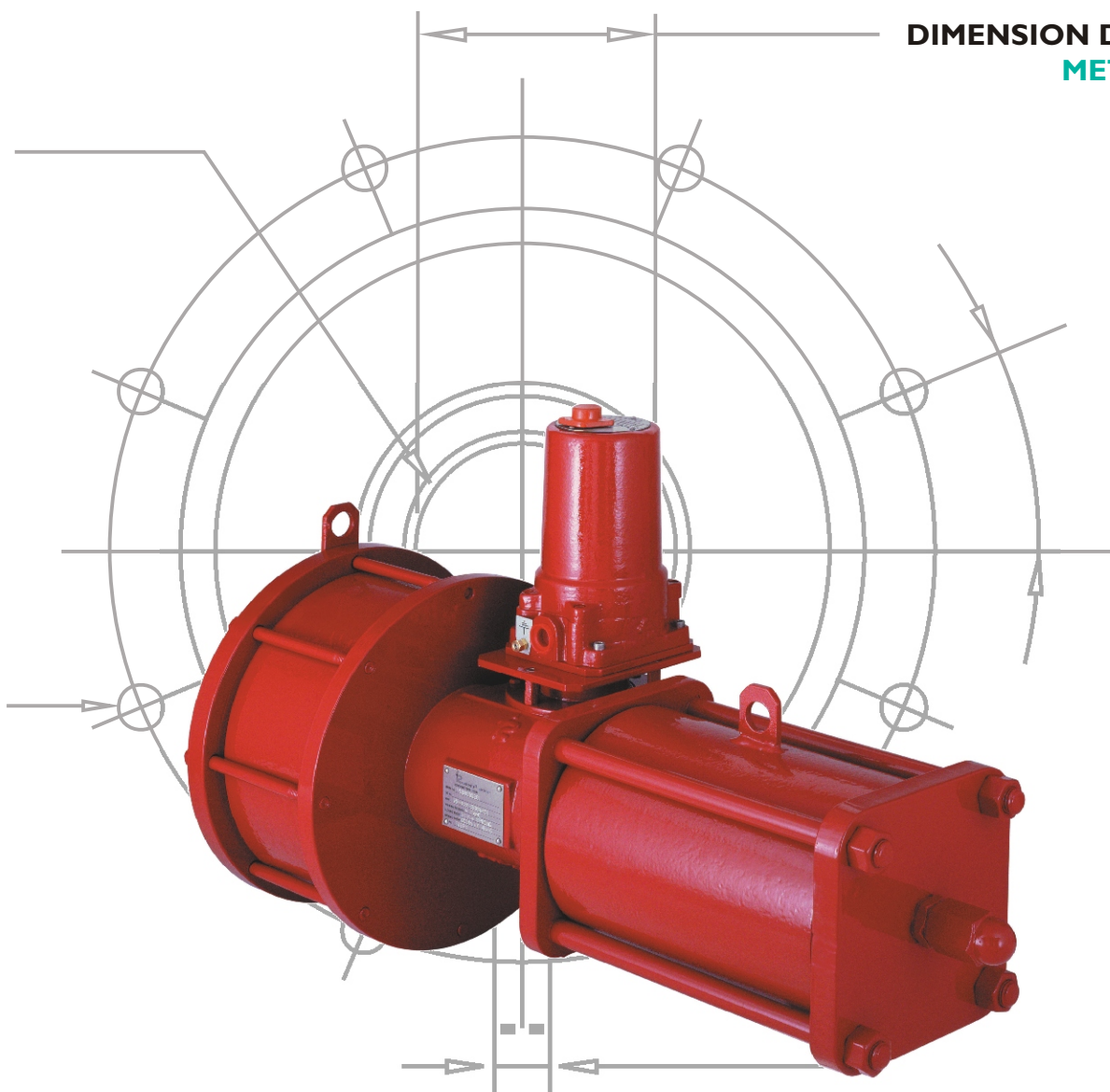


RP RANGE

PNEUMATIC RACK AND PINION ACTUATORS

DIMENSION DATA
METRIC



MODEL NUMBER KEY

RP RANGE

rotork[®]
fluid system

DIMENSION DATA - METRIC

A B - C C C - E E E F / G G - H H

ACTUATOR TYPE

R = RACK & PINION TYPE

SUPPLY TYPE

P = PNEUMATIC

CENTRE BODY SIZE

015, 030, 060, 120, 240

CYLINDER SIZE (mm)

SEAL MATERIALS

A = NBR - LOW PRESSURE - NORMAL TEMPERATURE

B = VITON - LOW PRESSURE - HIGH TEMPERATURE

C = FLUOROSILICONE - LOW PRESSURE - LOW TEMPERATURE

EXECUTION TYPE

C1-C9 = SINGLE ACTING - FAIL TO CLOSE - SIZE 1-9

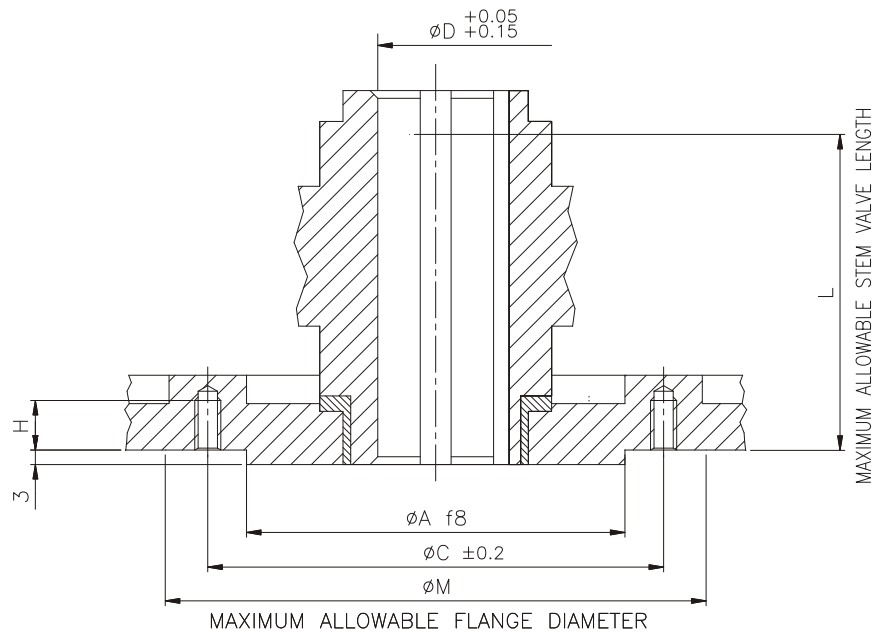
O1-O9 = SINGLE ACTING - FAIL TO OPEN - SIZE 1-9

D1 = DOUBLE ACTING - SINGLE CYLINDER

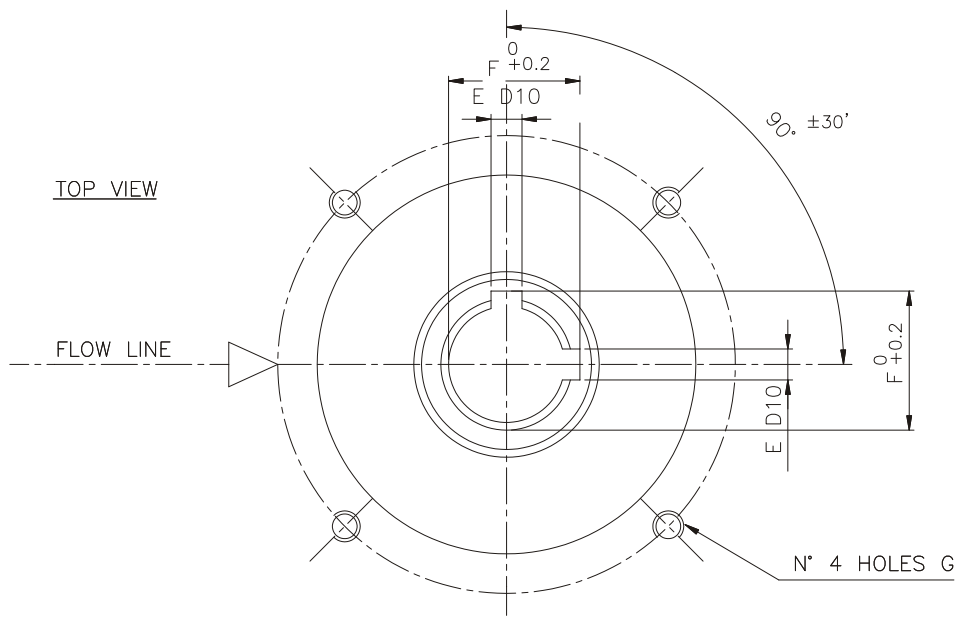
D2 = DOUBLE ACTING - DOUBLE CYLINDER

MANUAL OVERRIDE TYPE

M, MH, MHD, MD, HPA, HPI



ACTUATOR TYPE	ϕA	ϕB	ϕC	ϕD	E	F	F1	G	H	L	ϕM
RH-15 RP-15 GO-15	70	-	102	20	6	22.8	-	M10	12	60	118
RH-30 RP-30 GO-30	85	-	125	35	10	38.3	-	M12	17	70	143
RH-60 RP-60 GO-60	85	-	125	40	12	43.3	-	M12	17	80	143
RH-120 RP-120 GO-120	100	-	140	50	14	53.8	-	M16	22	100	170
RH-240 RP-240 GO-240	130	-	165	65	18	69.4	-	M20	26	130	200



THE SLOTS OF THE KEY ARE SHOWN WITH THE ACTUATOR IN CLOSED POSITION

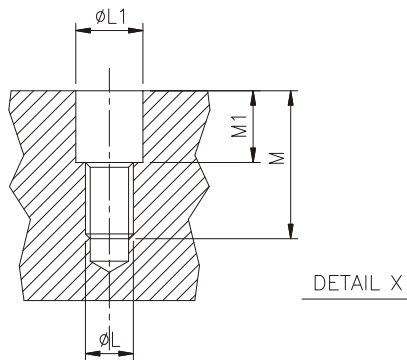
ALL DIMENSIONS ARE IN MM



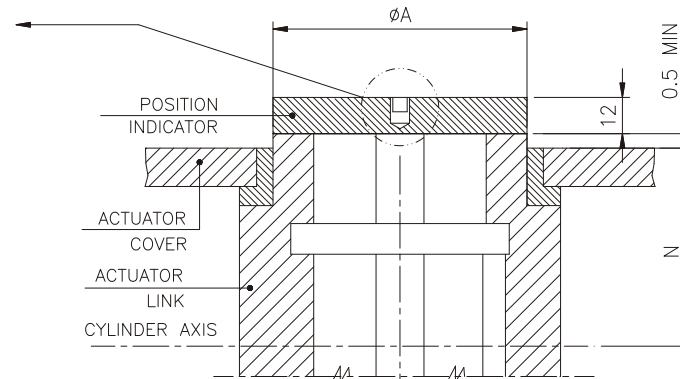
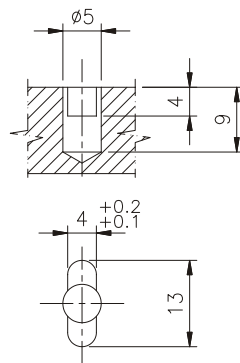
COUPLING DIMENSIONS

04	14.07.05	BERNINI	BARSAOTTI
03	29.11.04	CATELLI	BERNINI
02	05.03.98	CAMONI	PISARONI
01	02.06.97	CAMONI	PISARONI
00	12.09.95	BARILLI	PISARONI
rev.	date	drawn	check

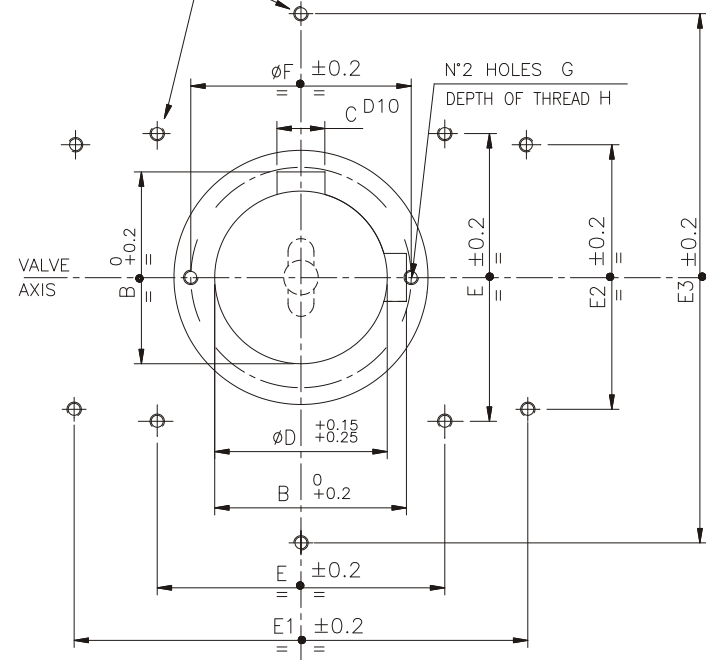
GD00198-010



SLOT PARTICULAR FOR LIMITSWITCHES BOX COUPLING



N° K HOLES SEE DETAIL X



ACTUATOR TYPE	ϕA	B	C	ϕD	E	E1	E2	E3	ϕF	G	H	K	ϕL	$\phi L1$	M	M1
RP-RH-GO 015	35	22.8	6	20	49.5	--	--	--	28	M3	7	4	M6	6.5	11	3
RP-RH-GO 030	54	38.3	10	35	67.9	--	--	--	46	M4	8	4	M6	6.5	19	6
RP-RH-GO 060	64	43.3	12	40	76.4	--	--	--	54	M5	10	4	M6	6.5	19	6
RP-RH-GO 120	78	53.8	14	50	--	109.1	63	126	66	M6	12	6	M6	6.5	21	6
RP-RH-GO 240	95	69.4	18	65	--	142	82	164	83	M6	12	6	M8	8.5	22	6

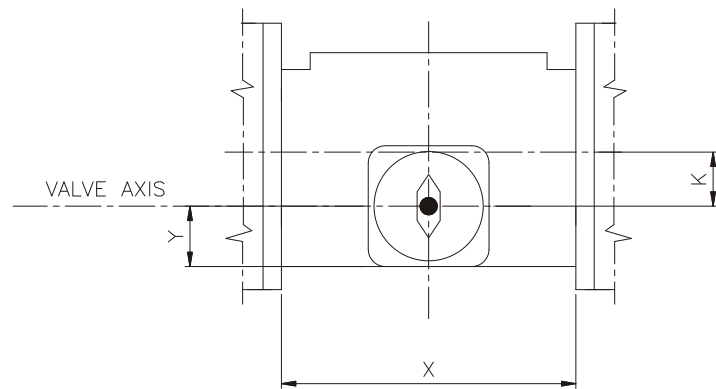
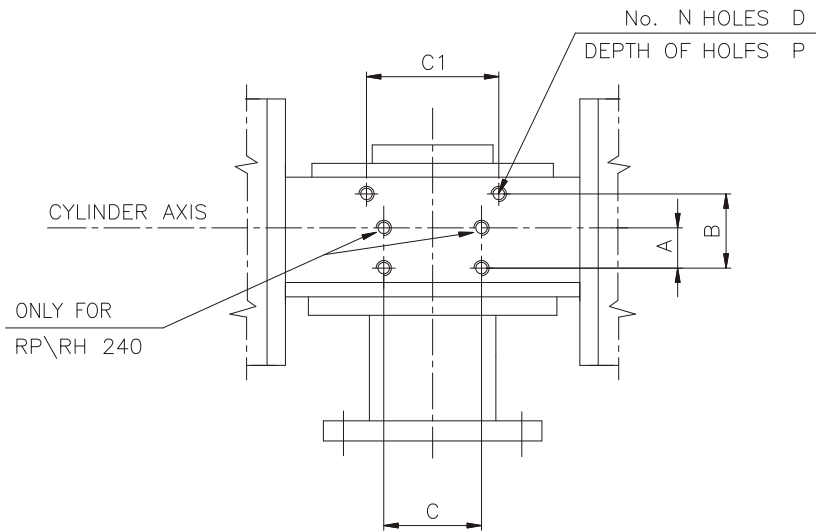
THE SLOTS OF THE KEY ARE SHOWN WITH THE ACTUATOR IN CLOSED POSITION

* FOR THE MODELS WITH 6 HOLES IT IS POSSIBLE TO USE 3 HOLES ONLY AT 120°



COUPLING DIMENSIONS
FOR MICROSWITCHES ENCLOSURE

01	14.07.05	BERNINI	BARSOITI
00	27.09.95	Camoni	Barilli
rev.	date	drawn	check
GD00227			



ACTUATOR TYPE	A	B	C	C1	N	D	P	K	X	Y
RP 015 RH 015 GO 015	34	49	52	82	4	M6	8	29	106	46
RP 030 RH 030 GO 030	24	68	100	100	4	M8	12	42	144	55
RP 060 RH 060 GO 060	52	104	110	110	4	M8	12	47	152	60
RP 120 RH 120 GO 120	62	124	134	134	4	M8	15	56	182	69
RP 240 RH 240 GO 240	73	146	170	170	6	M8	15	75	230	92

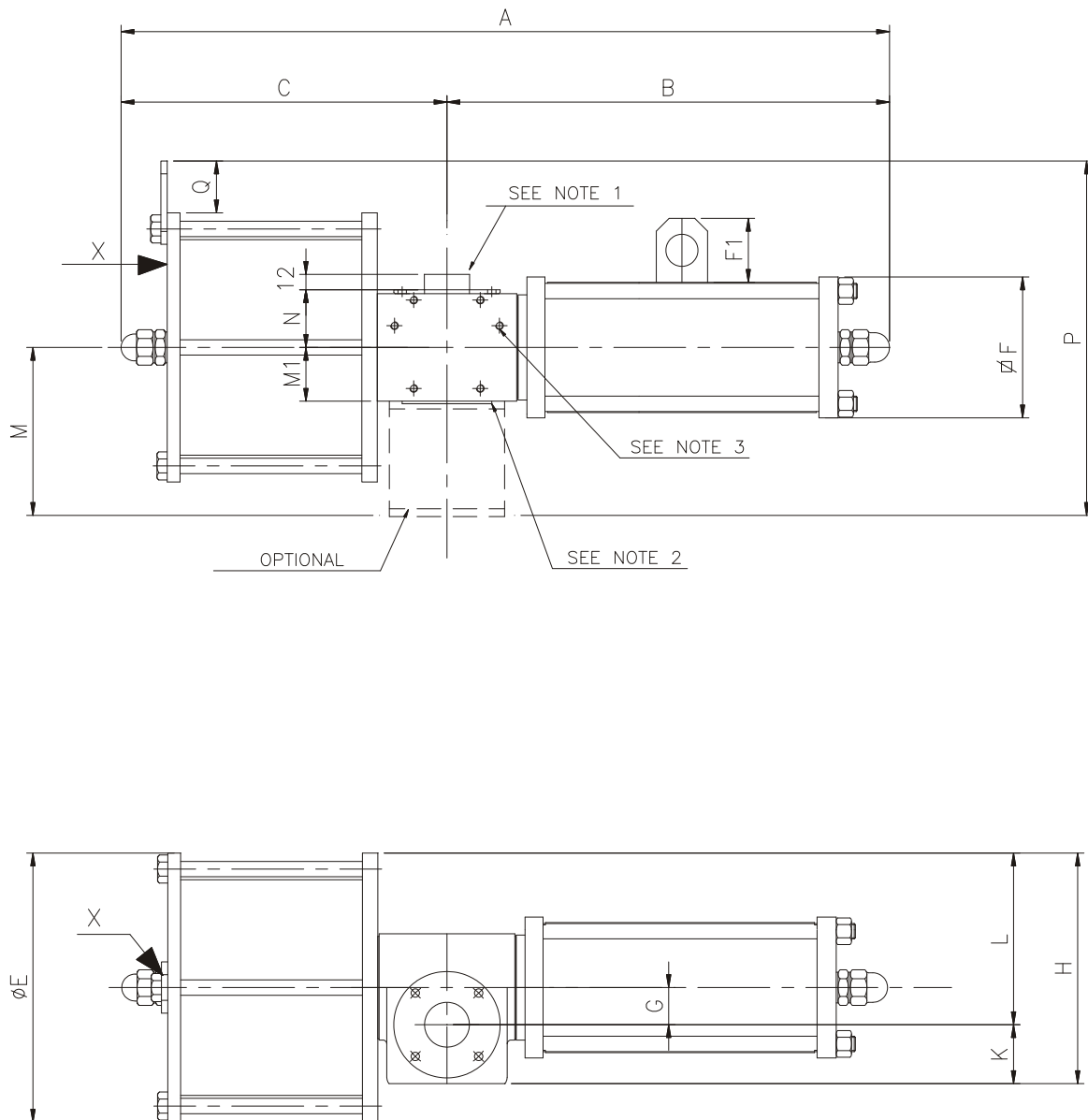
ALL DIMENSIONS ARE IN MM

rotork
fluid system

COUPLING ADAPTION
FOR POWER CONTROL UNITS

04	14.07.05	BERNINI	BARSOITI
03	17.12.99	CATELLI	NICOLINI
02	24.02.98	CAMONI	PISARONI
01	02.06.97	CAMONI	PISARONI
00	07.01.97	CAMONI	BARILLI
rev.	date	drawn	check

GD00198-050



NOTE 3 CONTROL PANEL INTERFACE ACCORDING TO DWG. GD00198-050

NOTE 2 ACTUATOR INTERFACE ACCORDING TO DWG. GD00198-010

NOTE 1 MICROSWITCHES GROUP INTERFACE ACCORDING TO DWG. GD00227

D ACCORDING TO VALVE FLANGE

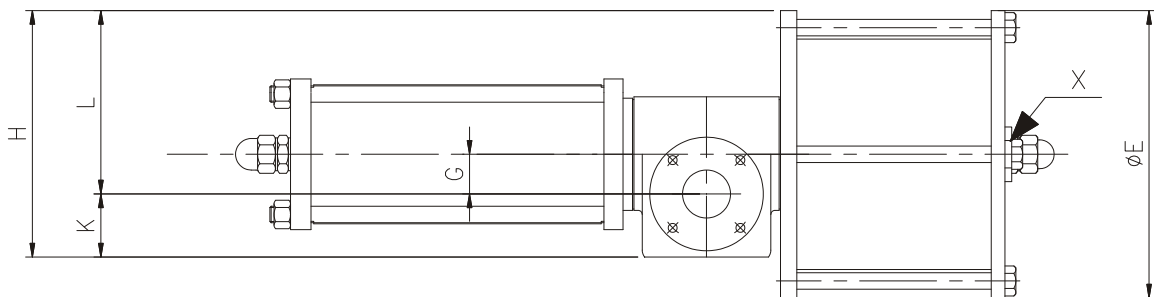
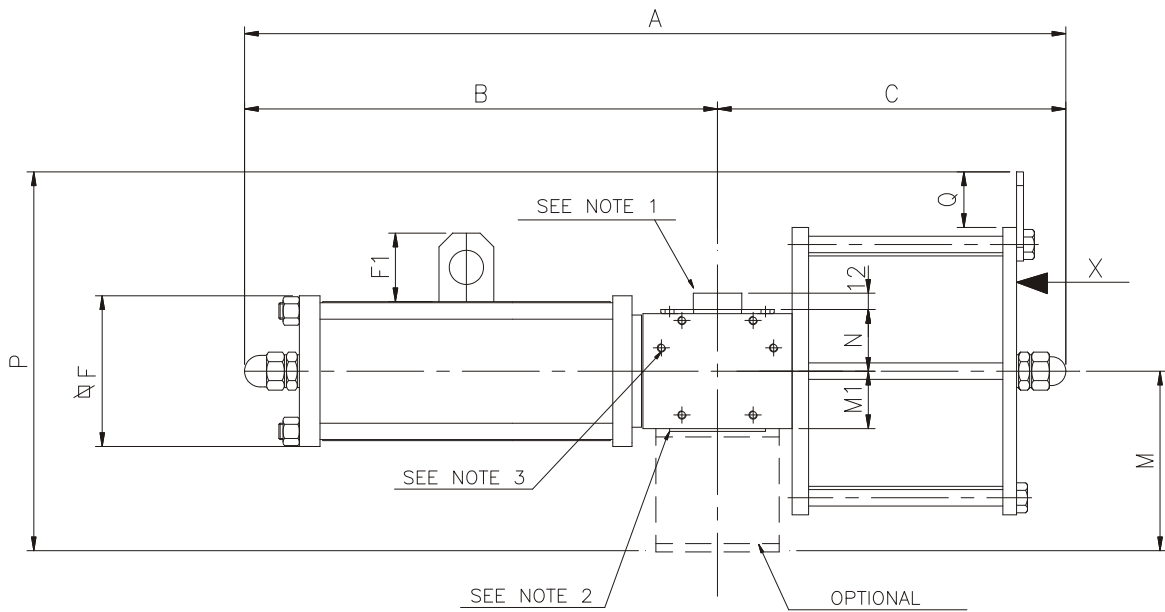
X PNEUMATIC CONNECTION

rotork
fluid system

SINGLE ACTING PNEUMATIC ACTUATOR
FAIL TO OPEN
OVERALL DIMENSIONS

02	10.06.05	BERNINI	BARSOTTI
01	11.06.02	Bongiovanni	PISARONI
00	07.01.02	Bongiovanni	PISARONI
rev.	date	drawn	check

ORPA000ADC



NOTE 3 CONTROL PANEL INTERFACE ACCORDING TO DWG. GD00198-050

NOTE 2 ACTUATOR INTERFACE ACCORDING TO DWG. GD00198-010

NOTE 1 MICROSWITCHES GROUP INTERFACE ACCORDING TO DWG. GD00227

D ACCORDING TO VALVE FLANGE

X PNEUMATIC CONNECTION

rotork
fluid system

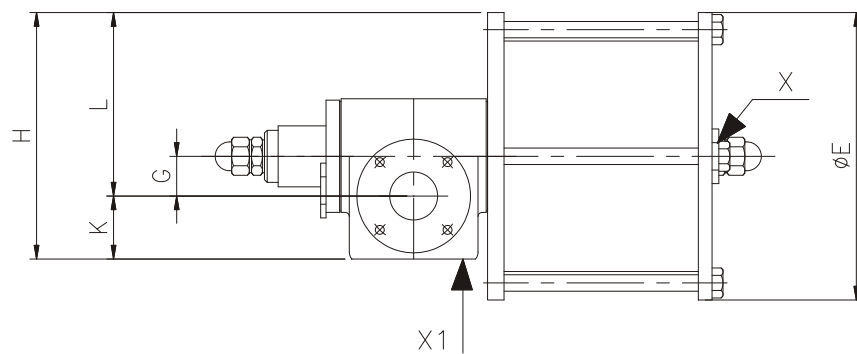
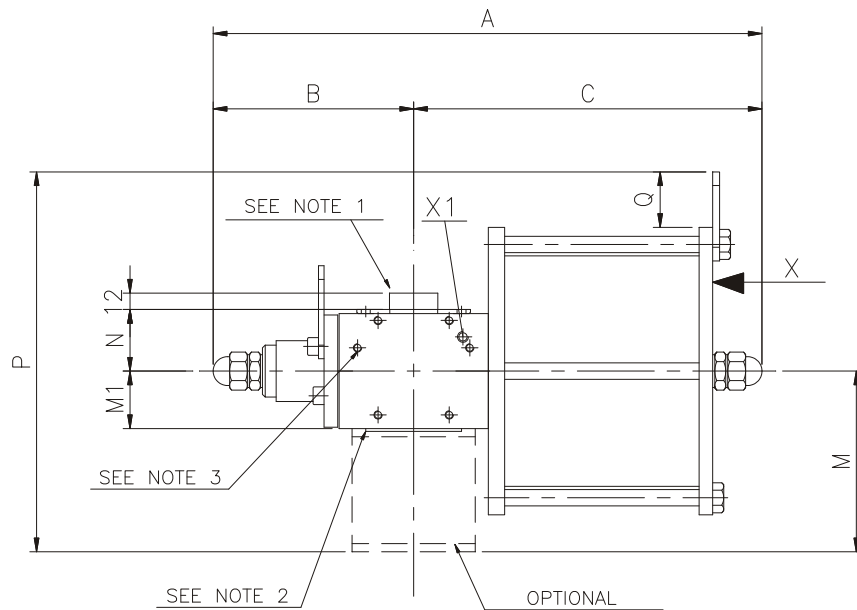
SINGLE ACTING PNEUMATIC ACTUATOR
FAIL TO CLOSE
OVERALL DIMENSIONS

02	10.06.05	BERNINI	BARSAOTTI
01	11.06.02	FERDENZI	PISARONI
00	15.03.01	FERDENZI	PISARONI
rev.	date	drawn	check

ORPC000ADC

RP - SPRING RETURN - FAIL CLOSE - ORPC000ADC

ACTUATOR MODEL	A	B	C	ØE	F	F1	G	H	K	L	M1	M	N	P	Q	Displ. (litres)	X (NPT)	Weight (Kg)
RP-240-250*/C0	1075	675	400	310	252	70	75	322	92	230	85	205	88	413	53	6.0	1/2"	150
RP-240-280*/C0	1075	675	400	340	252	70	75	337	92	245	85	205	88	416	41	7.6	1/2"	167
RP-240-300*/C0	1075	675	400	365	252	70	75	350	92	258	85	205	88	429	41	8.7	1/2"	178
RP-240-335*/C0	1075	675	400	410	252	70	75	372	92	280	85	215	88	468	48	10.8	1/2"	186
RP-240-350*/C0	1075	675	400	425	252	70	75	380	92	288	85	215	88	478	50	11.8	1/2"	194
RP-240-385*/C0	1075	675	400	465	252	70	75	400	92	308	85	235	88	516	48	14.3	1/2"	209
RP-240-435*/C0	1150	675	475	515	252	70	75	425	92	333	85	265	88	572	49	18.3	1/2"	274
RP-240-485*/C0	1140	675	465	570	252	70	75	452	92	360	85	295	88	625	45	22.7	1/2"	314
RP-240-250*/C1	1075	675	400	310	252	70	75	322	92	230	85	205	88	413	53	6.0	1/2"	150
RP-240-280*/C1	1075	675	400	340	252	70	75	337	92	245	85	205	88	416	41	7.6	1/2"	167
RP-240-300*/C1	1075	675	400	365	252	70	75	350	92	258	85	205	88	429	41	8.7	1/2"	179
RP-240-335*/C1	1075	675	400	410	252	70	75	372	92	280	85	215	88	468	48	10.8	1/2"	187
RP-240-350*/C1	1075	675	400	425	252	70	75	380	92	288	85	215	88	478	50	11.8	1/2"	195
RP-240-385*/C1	1075	675	400	465	252	70	75	400	92	308	85	235	88	516	48	14.3	1/2"	209
RP-240-435*/C1	1150	675	475	515	252	70	75	425	92	333	85	265	88	572	49	18.3	1/2"	275
RP-240-485*/C1	1140	675	465	570	252	70	75	452	92	360	85	295	88	625	45	22.7	1/2"	315
RP-240-250*/C2	1075	675	400	310	252	70	75	322	92	230	85	205	88	413	53	6.0	1/2"	153
RP-240-280*/C2	1075	675	400	340	252	70	75	337	92	245	85	205	88	416	41	7.6	1/2"	170
RP-240-300*/C2	1075	675	400	365	252	70	75	350	92	258	85	205	88	429	41	8.7	1/2"	181
RP-240-335*/C2	1075	675	400	410	252	70	75	372	92	280	85	215	88	468	48	10.8	1/2"	189
RP-240-350*/C2	1075	675	400	425	252	70	75	380	92	288	85	215	88	478	50	11.8	1/2"	197
RP-240-385*/C2	1075	675	400	465	252	70	75	400	92	308	85	235	88	516	48	14.3	1/2"	212
RP-240-435*/C2	1150	675	475	515	252	70	75	425	92	333	85	265	88	572	49	18.3	1/2"	278
RP-240-485*/C2	1140	675	465	570	252	70	75	452	92	360	85	295	88	625	45	22.7	1/2"	318
RP-240-250*/C3	1140	740	400	310	252	70	75	322	92	230	85	205	88	413	53	6.0	1/2"	153
RP-240-280*/C3	1140	740	400	340	330	70	75	337	92	245	85	205	88	416	41	7.6	1/2"	170
RP-240-300*/C3	1140	740	400	365	330	70	75	350	92	258	85	205	88	429	41	8.7	1/2"	181
RP-240-335*/C3	1140	740	400	410	330	70	75	372	92	280	85	215	88	468	48	10.8	1/2"	189
RP-240-350*/C3	1140	740	400	425	330	70	75	380	92	288	85	215	88	478	50	11.8	1/2"	197
RP-240-385*/C3	1140	740	400	465	330	70	75	400	92	308	85	235	88	516	48	14.3	1/2"	212
RP-240-435*/C3	1215	740	475	515	330	70	75	425	92	333	85	265	88	572	49	18.3	1/2"	278
RP-240-485*/C3	1205	740	465	570	330	70	75	452	92	360	85	295	88	625	45	22.7	1/2"	318
RP-240-250*/C4	1140	740	400	310	330	70	75	322	92	230	85	205	88	413	53	6.0	1/2"	183
RP-240-280*/C4	1140	740	400	340	330	70	75	337	92	245	85	205	88	416	41	7.6	1/2"	200
RP-240-300*/C4	1140	740	400	365	330	70	75	350	92	258	85	205	88	429	41	8.7	1/2"	212
RP-240-335*/C4	1140	740	400	410	330	70	75	372	92	280	85	215	88	468	48	10.8	1/2"	220
RP-240-350*/C4	1140	740	400	425	330	70	75	380	92	288	85	215	88	478	50	11.8	1/2"	228
RP-240-385*/C4	1140	740	400	465	330	70	75	400	92	308	85	235	88	516	48	14.3	1/2"	243
RP-240-435*/C4	1215	740	475	515	330	70	75	425	92	333	85	265	88	572	49	18.3	1/2"	308
RP-240-485*/C4	1205	740	465	570	330	70	75	452	92	360	85	295	88	625	45	22.7	1/2"	348
RP-240-250*/C5	1120	720	400	310	415	70	75	322	92	230	85	205	88	413	53	6.0	1/2"	274
RP-240-280*/C5	1120	720	400	340	415	70	75	337	92	245	85	205	88	416	41	7.6	1/2"	291
RP-240-300*/C5	1120	720	400	365	415	70	75	350	92	258	85	205	88	429	41	8.7	1/2"	302
RP-240-335*/C5	1120	720	400	410	415	70	75	372	92	280	85	215	88	468	48	10.8	1/2"	310
RP-240-350*/C5	1120	720	400	425	415	70	75	380	92	288	85	215	88	478	50	11.8	1/2"	318
RP-240-385*/C5	1120	720	400	465	415	70	75	400	92	308	85	235	88	516	48	14.3	1/2"	333
RP-240-435*/C5	1195	720	475	515	415	70	75	425	92	333	85	265	88	572	49	18.3	1/2"	398
RP-240-485*/C5	1185	720	465	570	415	70	75	452	92	360	85	295	88	625	45	22.7	1/2"	438



NOTE 3 CONTROL PANEL INTERFACE ACCORDING TO DWG. GD00198-050

NOTE 2 ACTUATOR INTERFACE ACCORDING TO DWG. GD00198-010

NOTE 1 MICROSWITCHES GROUP INTERFACE ACCORDING TO DWG. GD00227

D ACCORDING TO VALVE FLANGE

X-X1 PNEUMATIC CONNECTION

rotork
fluid system

DOUBLE ACTING PNEUMATIC ACTUATOR
OVERALL DIMENSIONS

02	10.06.05	BERNINI	BARSOTTI
01	11.06.02	Bongiovanni	PISARONI
00	08.01.02	Bongiovanni	PISARONI
rev.	date	drawn	check

ORPD000ADC

RP - DOUBLE ACTING - ORPD000ADC

ACTUATOR MODEL	A	B	C	ØE	G	H	K	L	M1	M	N	P	Q	Displ. (litres)	X (NPT)	X1 (GAS)	Weight (Kg)
RP-015-080*/D1	380	170	210	120	29	135	46	89	42	160	44	251	31	0.2	1/4"	1/4"	9
RP-015-100*/D1	390	170	220	140	29	145	46	99	42	160	44	260	30	0.4	1/4"	1/4"	11
RP-015-125*/D1	390	170	220	165	29	158	46	112	42	160	44	273	30	0.6	1/4"	1/4"	13
RP-015-160*/D1	395	170	225	210	29	180	46	134	42	160	44	293	28	0.9	3/8"	1/4"	18
RP-015-180*/D1	385	170	215	240	29	195	46	149	42	160	44	306	26	1.2	3/8"	1/4"	20
RP-015-200*/D1	385	170	215	260	29	205	46	159	42	160	44	315	25	1.5	3/8"	1/4"	32
RP-030-125*/D1	455	195	260	165	42	180	55	125	51	170	53	283	30	0.8	1/4"	1/4"	19
RP-030-160*/D1	470	195	275	210	42	202	55	147	51	170	53	316	41	1.3	3/8"	1/4"	25
RP-030-180*/D1	465	195	270	240	42	217	55	162	51	170	53	329	39	1.7	3/8"	1/4"	34
RP-030-200*/D1	465	195	270	260	42	227	55	172	51	170	53	341	41	2.1	3/8"	1/4"	39
RP-060-180*/D1	495	220	275	240	47	227	60	167	60	180	62	339	39	2.0	3/8"	1/4"	38
RP-060-200*/D1	495	220	275	260	47	237	60	177	60	180	62	351	41	2.4	3/8"	1/4"	43
RP-060-235*/D1	550	220	330	295	47	255	60	195	60	180	62	369	41	3.3	1/2"	1/4"	53
RP-060-250*/D1	550	220	330	310	47	262	60	202	60	180	62	376	41	3.8	1/2"	1/4"	55
RP-060-280*/D1	560	220	340	340	47	277	60	217	60	180	62	391	41	4.7	1/2"	1/4"	60
RP-120-200*/D1	570	270	300	260	56	255	69	186	70	190	73	361	41	2.9	3/8"	1/4"	55
RP-120-235*/D1	615	270	345	295	56	273	69	204	70	190	73	379	41	4.0	1/2"	1/4"	63
RP-120-250*/D1	615	270	345	310	56	280	69	211	70	190	73	386	41	4.5	1/2"	1/4"	65
RP-120-280*/D1	620	270	350	340	56	295	69	226	70	190	73	401	41	5.7	1/2"	1/4"	82
RP-120-300*/D1	620	270	350	365	56	308	69	239	70	190	73	414	41	6.5	1/2"	1/4"	93
RP-240-250*/D1	750	350	400	310	75	322	92	230	85	205	88	413	53	6.0	1/2"	3/8"	90
RP-240-280*/D1	750	350	400	340	75	337	92	245	85	205	88	416	41	7.6	1/2"	3/8"	107
RP-240-300*/D1	750	350	400	365	75	350	92	258	85	205	88	429	41	8.7	1/2"	3/8"	118
RP-240-335*/D1	750	350	400	410	75	372	92	280	85	215	88	468	48	10.8	1/2"	3/8"	126
RP-240-350*/D1	750	350	400	425	75	380	92	288	85	215	88	478	50	11.8	1/2"	3/8"	134
RP-240-385*/D1	750	350	400	465	75	400	92	308	85	235	88	516	48	14.3	1/2"	3/8"	149
RP-240-435*/D1	825	350	475	515	75	425	92	333	85	265	88	572	49	18.3	1/2"	3/8"	215
RP-240-485*/D1	515	350	165	570	75	452	92	360	85	295	88	625	45	22.7	1/2"	3/8"	255

Centres of Excellence

Australia

Bayswater, Victoria
Tel: +61 (0) 3 9729 8882
Fax: +61 (0) 3 9729 8884
sales@rfsaustralia.com

Canada

Mississauga, Ontario
Tel: +1 905 363 0313
Fax: +1 905 363 0320
info@rotork.ca

Italy

Tossignano - Lucca
Tel: +39 0583 93061
Fax: +39 0583 934612
fluid@fluidsystem.it

United States

Rochester, New York
Tel: +1 585 328 1550
Fax: +1 585 328 5848
info@rotork.com

Singapore

Tel: + 65 6457 1233
Fax: + 65 6457 6011
mail@rotork.com.sg

Canada

Calgary, Alberta
Tel: +1 403 569 9455
Fax: +1 403 569 9414
info@rotork.ca

Germany

Melle
Tel: +49 (0)5422 9414-0
Fax: +49 (0)5422 9414-10
home@pc-intertechnik.com

United Kingdom

Bramley, Leeds
Tel: +44 (0)113 236 3312
Fax: +44 (0)113 205 7266
sales@rotorkfluidsystem.co.uk

United States

Houston, Texas
Tel: +1 713 856 5640
Fax: +1 713 856 8127
info@rotork.com