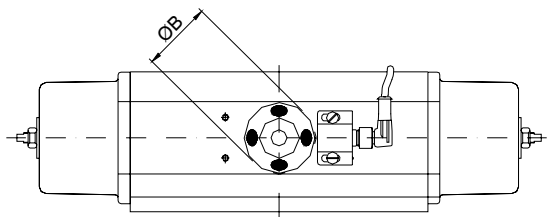
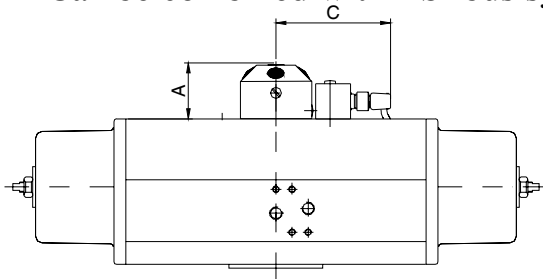


# RCIND

## Inductive Limit Switch



- Indication puck with visual indication
- Inductive double sensor for indication of open and closed position
- PNP and NPN sensors with built-in LED indication
- Standard mounting slots according to VDI/VDE 3845.3.1 (NAMUR), hole distance c-c 30 mm
- With embedded connection cable or plug contact
- Very easy to mount
- Can be combined with ASI bus system



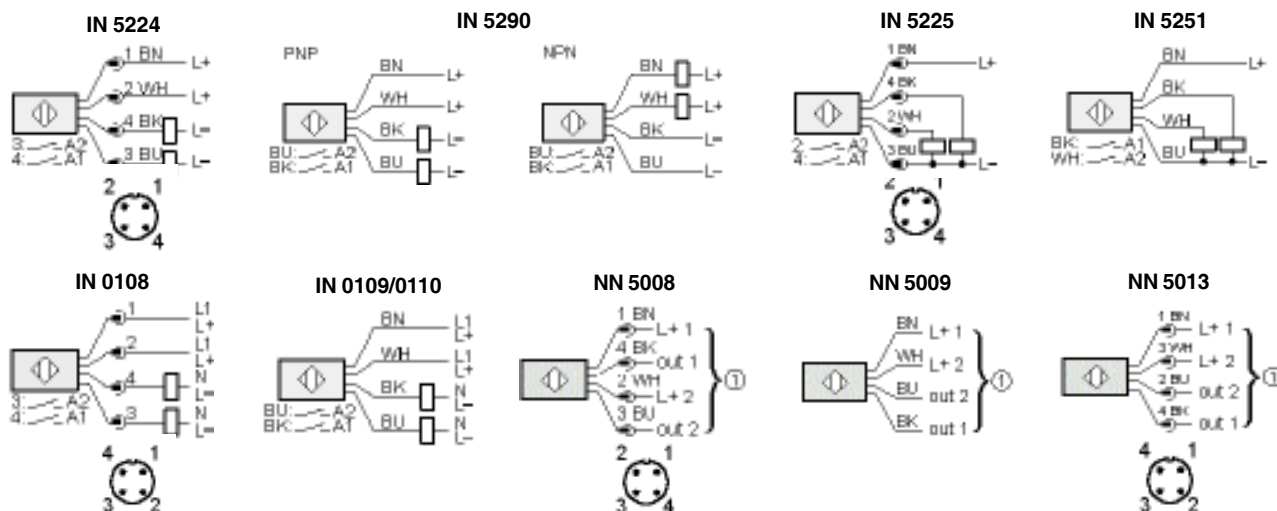
TYPE DENOMINATIONS		
IN 5224	PNP/NPN	with connector M12
IN 5290	PNP/NPN	with PVC cable
IN 5225	PNP	with connector M12
NN 5008	NAMUR	with connector M12
IN 5251	PNP	with PVC cable
NN 5009	NAMUR	with embedded silicone cable
NN 5013	NAMUR	with plug contact BS-200-K M18
IN 0108	AC/DC sensor	with plug contact BS-200-K M18
IN 0109	AC/DC sensor	with screened RTF cable
IN 0110	AC/DC sensor	with PVC cable
AC 2305	for AS-I connection	with connector M12
AC 2306	for AS-I connection	with connector M12
AC 2307	for AS-I connection	with connector M12

ACTUATOR	A	Ø B	C
RC210-265	42	53	87
RC270-88	52	102	114
RCG90-100	85	125	126

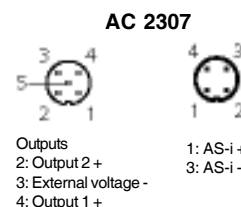
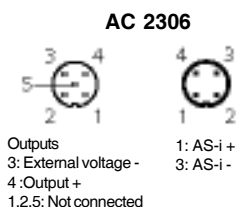
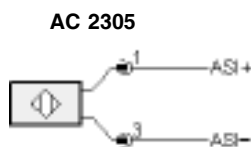
2-meter connection cable for PNP/NPN and NAMUR.  
Connector E17014, angle, PTB/PG9 for BS-200-K socket.

	IN 5224	IN 5290	IN 5225	IN 5251	IN 0108 / IN 0109 / IN 0110
Electric design	DC PNP/NPN	DC PNP/NPN	DC PNP	DC PNP	AC/DC
Output	2 x normally open	2 x normally open	2 x normally open	2 x normally open	2 x normally open
Operating voltage V	10...36 DC	10...36 DC	10...36 DC	10...36 DC	20...250 AC/DC
Current rating mA	250	250	250	250	250 AC/DC (...+50°)
Voltage drop V	<4	<4,6	<2,5	<2,5	<6,5
Leakage current mA	2 x 0,7	2 x 0,8			<2,5 (250V/AC)
Current consumption mA			<15 (36V)	<15 (24V)	
Operating temperature °C	-20...+80	-25...+80	-25...+80	-25...+80	-25...+80

NN 5008 / NN 5009 / NN 5013	
Electric design	Connection to control monitors NV 0100, NV 0200 or other certified amplifiers. Maximum values U = 15V / I = 50 mA / P = 180 mW
Output	2 x normally closed
Supply voltage V	7,5...15 DC
Operating temperature °C	-20...+70
Approval	EEx ia IIC T6 PTB:Ex-96.D.2178X



	AC 2305	AC 2306	AC 2307
Electric design	2 inputs	2 inputs / 1 output	2 inputs / 2 outputs
Sensor supply	AS-I	AS-I	AS-I
Output		Transistor PNP	Transistor PNP
Operating voltage V	26,5...31,6 DC	26,5...31,6 DC	26,5...31,6 DC
Voltage range V		20...30 DC	20...30 DC
Max current load per output (mA)		100	100
Current consumption mA	<40	<160	<260
Operating temperature °C	-20...+70	-20...+70	-20...+70



We reserve the right to alterations without previous notice



Remote Control  
Kontrollvägen 15  
SE-791 45 FALUN  
Sweden  
Tel +46 (0)23-587 00  
Fax +46 (0)23-587 45  
www.remotecontrol.se  
info@remotecontrol.se



Remote Control  
Gutenbergstr. 22  
DE-41564 Kaarst-Büttgen  
Germany  
Tel +49 (0)2131-795 760  
Fax +49 (0)2131-795 7615  
www.remotecontrol.de



Remote Control  
Unit 40, Trent Valley Works,  
Station Road, Rugeley  
Staffordshire WS15 3HB  
England  
Tel +44 (0)1889-576 888  
Fax +44 (0)1889-577 676  
www.remotecontrol.co.uk



Remote Control  
67 Ubi Crescent, #01-07  
Techniques Centre  
Singapore 408560  
Tel +65 6848 7150  
Fax +65 6746 5815  
www.remotecontrol.com.sg



Remote Control  
PO Box 355  
386 Dry Bridge Rd  
North Kingstown, RI 02852  
USA  
Tel +1 (401) 294-1400  
Fax +1 (401) 294-3388  
www.rciactuators.com