

RC200

Speed Restrictor



Technical Data

- For close adjustment of operating time, open and close (RC-DA)
- For precise adjustment of the operating time for RC-SR actuator in spring direction
- Adjustable flow 0-370NI / min in exhaust direction from the actuator. Maximum flow in the supply direction 530NI / min
- For all actuators with Namur connection
- Material: Aluminium
- Option: Special surface treatment for corrosive environments

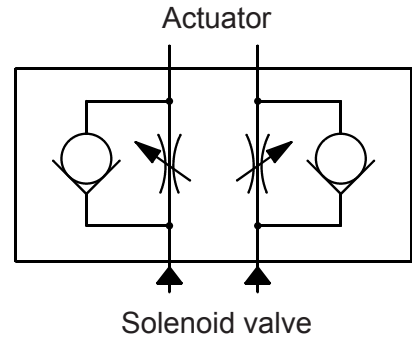
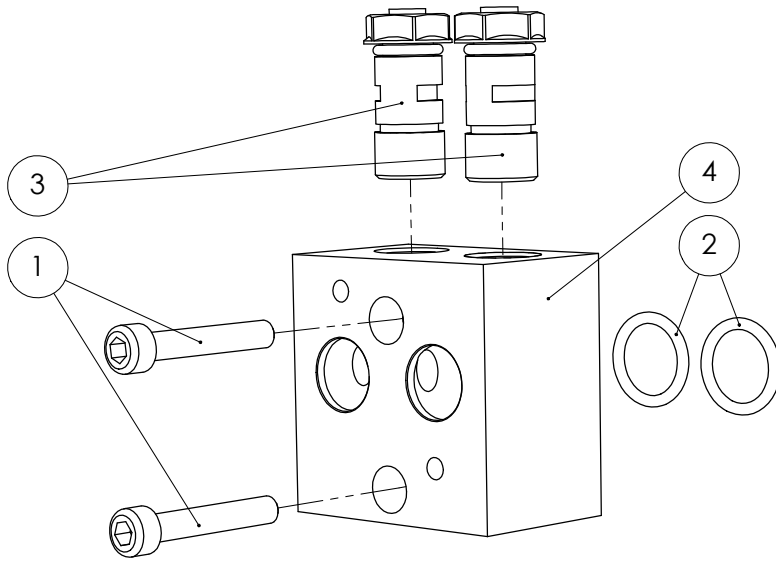


www.rotork.com www.remotecontrol.se

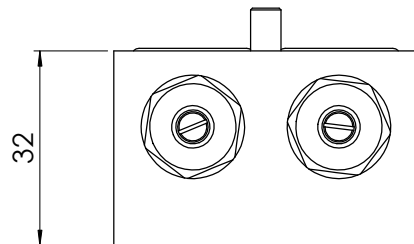
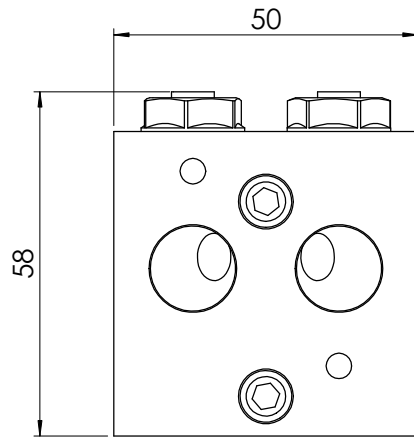


ROTORK SWEDEN AB

Box 80, Kontrollvägen 15, SE-791 22 Falun, Sweden
Tel: +46 (0)23-587 00 • Fax: +46 (0)23-587 45 • falun.info@rotork.com



Ref no 016519



Ref no 016534

Material

Part No	Description	Number	Material
1	Screw	2	Stainless A2
2	O-ring	2	Nitrile
3	Valve	2	Brass, nickel plated
4	Body	1	Aluminium, anodized

