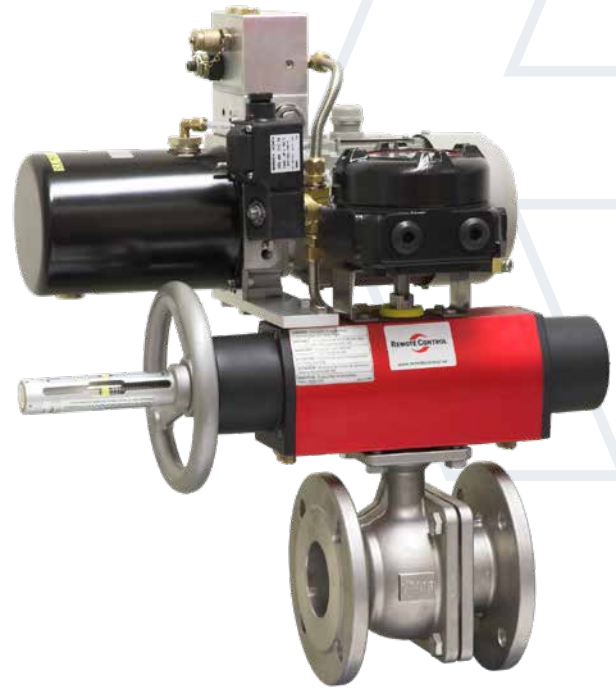




Keeping the World Flowing
for Future Generations



RCE is a range of electro-hydraulic actuators for on/off positioning, providing high levels of torque in relation to the unit's small size and low weight.

These actuators are suitable for a range of applications such as district heating plants, tunnels, oil and gas depots where explosionproof equipment is required and where pneumatic options with pressurised air is unavailable or unsuitable.

RCE actuators are certified to ISO 9001 and 14001 and comply with PED and ATEX regulations.

The RCE-SR option is a cost effective alternative to spring-return electric actuators. It is constructed from a hydraulic spring return actuator with manual override, electric motor, hydraulic pump and tank. The design is simple and robust.

RCE-SR actuators are ideal when spring open or spring close action is required, for fail-safe functionality. It is made for direct mounting on valves (according to ISO standards).

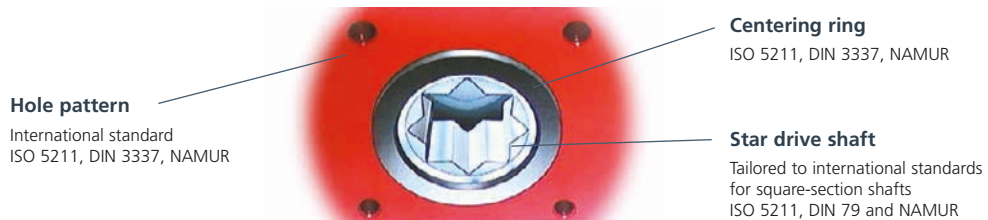
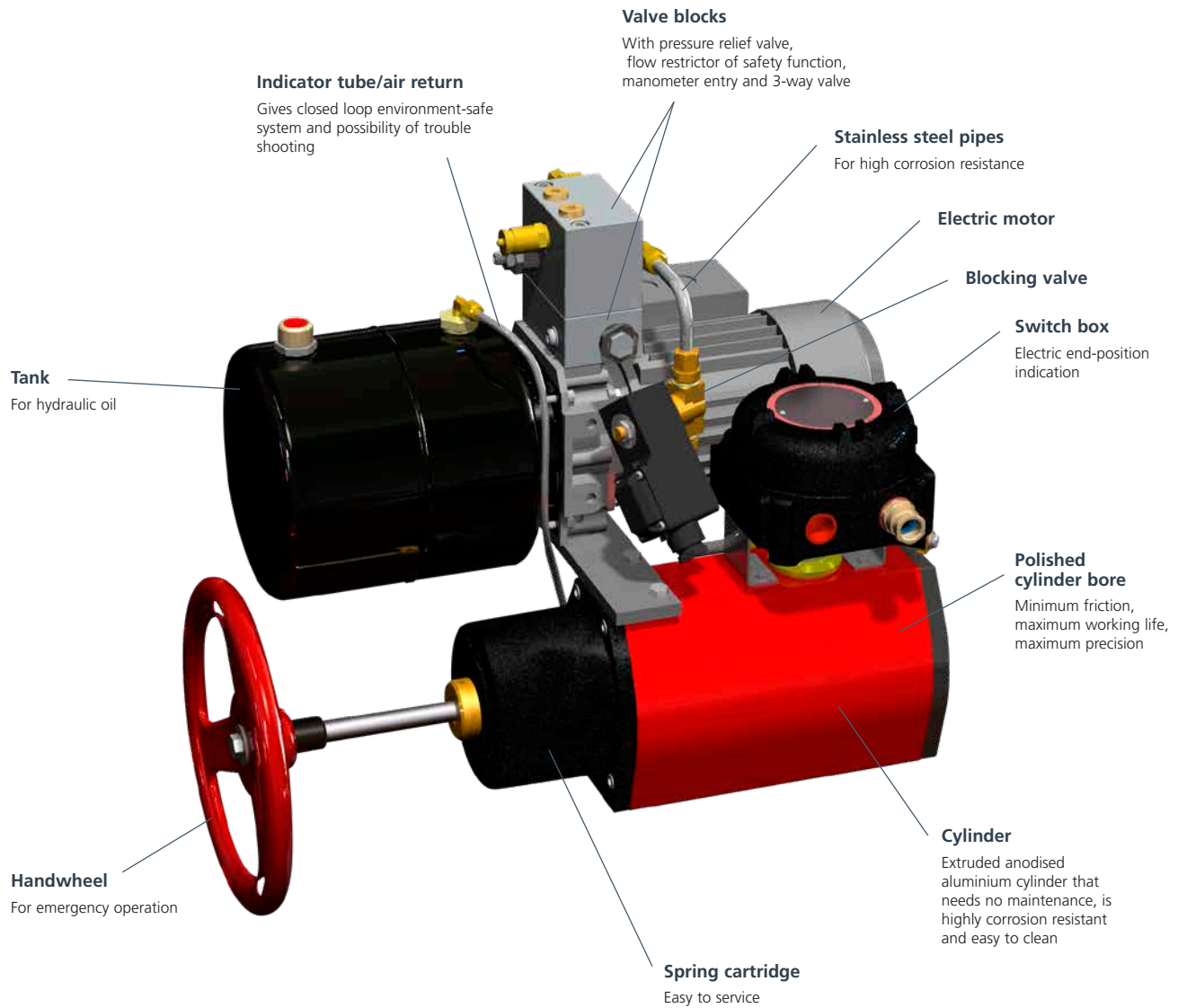


RCE-SR Range

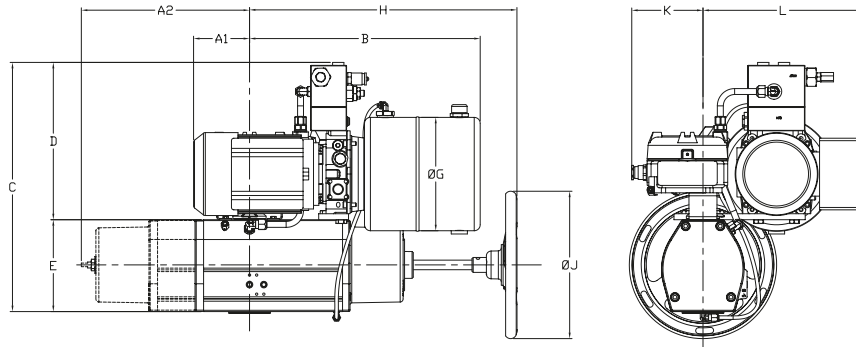
Spring-return electro-hydraulic actuator

- Torque range: 50 to 5,000 Nm (442 to 44,248 lbf.in)
- On- off and positioning through impulse control from external system
- Max pressure: 10 bar / 145 psi*
Temp: -20 to +40 °C (-4 to +104 °F)
*RCE265 8 bar / 115 psi
- Mounting face according to international standards ISO5211, DIN3337, DIN79, NAMUR, VDI/ VDE 3845
- Mounting kits for all 90° valves and accessories
- Spring cartridge with pre-tensioned springs
- Blow-out-proof drive shaft
- Scotch yoke mechanism provides increased torque in end positions, smooth action and precise control
- High-quality materials for long working life and maximum corrosion resistance
- Extruded anodised aluminium housing
- RCE 210-260 options have drive shafts and stainless steel screws

RCE-SR Spring-return electro-hydraulic actuator

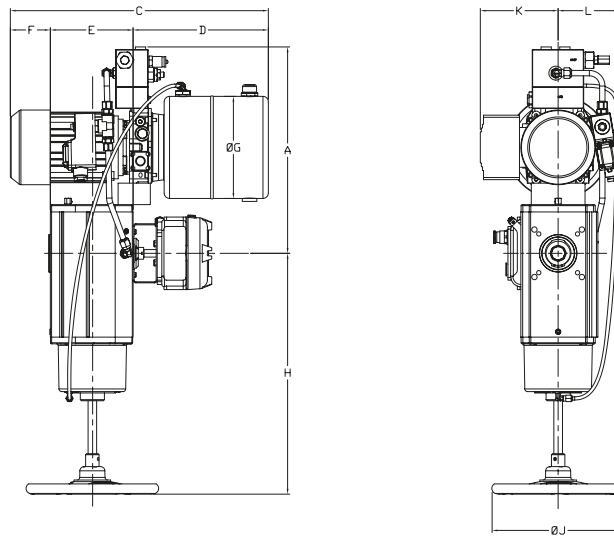


RCE-SR Dimensions



	A1					A2	B	C		D		E	ØG	H	ØJ	K	L					Weight*
	1-Phase Std	1-Phase Ex	3-Phase Std	3-Phase Ex	3-Phase Exd			On-off	Positioning	On-off	Positioning						1-Phase Std	1-Phase Ex	3-Phase Std	3-Phase Ex	3-Phase Exd	
RCE230-SRM	165	180	140	140	180	200	292	375	420	265	310	110	126	340	180	130	235	325	235	280	290	22
RCE240-SRM																						25
RCE250-SRM	120	130	95	95	130	285	390	420	490	265	335	155	190	460-540	250	130	225	310	225	270	280	34
RCE260-SRM																						41
RCE265-SRM	195	205	170	170	205	317	390	470	515	265	310	202	190	600	315	130	225	310	225	270	280	51
RCE270-SRM	375	390	355	355	390	360	520	565	265	310	248	190	812	400	130	270	360	270	320	330	78	
RCE280-SRM	380	395	360	360	395									510		600	250	340	250	300	310	102

* Weights refer to on-off actuators with 1 or 3-phase engine and RCE4L switch box. +5.5 kg for Ex proof with Ex e engine and 1990 switch box. +18.5 kg for Ex proof with Ex d 3-phase engine and 1990 switch box. +20.5 kg for Ex proof with Ex d 1-phase engine and 1990 switch box. +2.5 kg for positioning.



	A		C					D	E	F					GØ	H	JØ	K					L		Weight*
	On-off	Positioning	1-Phase Std	1-Phase Ex	3-Phase Std	3-Phase Ex	3-Phase Exd			1-Phase Std	1-Phase Ex	3-Phase Std	3-Phase Ex	3-Phase Exd				1-Phase Std	1-Phase Ex	3-Phase Std	3-Phase Ex	3-Phase Exd	On-off	Positioning	
RCE230-SRM	360	405	470	480	450	450	480	210	110	150	165	130	130	165	126	345	180	100	185	100	145	155	130	155	22
RCE240-SRM	470	515								90	105	70	70	105											25
RCE250-SRM	390	435	510	525	485	485	525	255	155	100	115	75	75	115	190	460-540	250	100	185	100	145	155	130	155	34
RCE260-SRM	560	605						120		135	95	95	41												
RCE265-SRM	640	685	510	525	485	485	525	225	202	80	95	55	55	95	190	600	315	100	185	100	145	155	130	155	51
RCE270-SRM	500	545	735	750	715	715	750	425	248	65	80	45	45	80	190	500	400	110	185	110	145	155	130	155	78
RCE280-SRM	830	875															600								310

* Weights refer to on-off actuators with 1 or 3-phase engine and RCE4L switch box. +5.5 kg for Ex proof with Ex e engine and 1990 switch box. +18.5 kg for Ex proof with Ex d 3-phase engine and 1990 switch box. +20.5 kg for Ex proof with Ex d 1-phase engine and 1990 switch box. +2.5 kg for positioning.

Technical Data

Torque and hole pattern

Type	Torque Nm, Springs adapted for 7 bar. Hydraulic pressure 8 bar						Valve fitting measurements	
	Hydraulic pressure opens			Spring closes			Hole pattern	Shaft [] mm
	0°	60°	90°	90°	60°	0°		
RCE230-SRM	113	50	65	81	39	55	F07/F10	17
RCE240-SRM	226	104	133	163	80	115	F10/F07	22
RCE250-SRM	355	160	210	255	125	175	F10/F12	22
RCE260-SRM	710	325	420	515	250	350	F12/F10	27
RCE265-SRM	1,145	470	580	695	355	525	F12/F10	27
RCE270-SRM	1,480	670	870	1,060	520	720	F14	36
RCE280-SRM	2,970	1,360	1,750	2,150	1,050	1,470	F16	46

Electrical data

Motors				Solenoid valve, coils			
0,37kW 4poles	Power consumption			Coils	Output		
	400 V 3-phase	230 V 3-phase	230 V 1-phase		481865	495905	496555
Std	1,0-1,2A	1,7-2,1A	-	24 VDC	9 W	8 W	6 W
Std	-	-	2,7-3,4A	220-230 VAC	8 W	8 W	6 W
Exe	1,0-1,2A	1,8-2,1A	-				
Exd	1,0-1,2A	-	2,0-2,9A				

Hydraulic

- Pump:** Gear pump
- Pump pressure:** Pre-adjusted at 8 bar. Max 10 bar.
Connection for pressure gauge.
- Temp range:** -20 to +40 °C and Ex zone 1.
Other ranges on request.
- Oil type:** Standard: ExxonMobile Unvis HVI 13.
Optional: Aero Shell Fluid 4 or 41.
Castrol Aero HF585B.

Operation times

Type	On Off With blocking valve		Positioning	
	Open	Close	Open	Close
RCE230-SRM	6	6	4	2
RCE240-SRM	8	8	6	3
RCE250-SRM	13	16	8	4
RCE260-SRM	29	29	16	10
RCE265-SRM	26	22	26	12
RCE270-SRM	33	32	35	14
RCE280-SRM	62	54	61	26

A full listing of the Rotork sales and service network is available on our website.

www.rotork.com

Corporate Headquarters
Rotork plc
tel +44 (0)1225 733200
email mail@rotork.com



Electric Actuators and Control Systems
Fluid Power Actuators and Control Systems
Gearboxes and Gear Operators
Precision Control and Indication
Projects, Services and Retrofit