

RC265-SR

Pneumatic Actuator

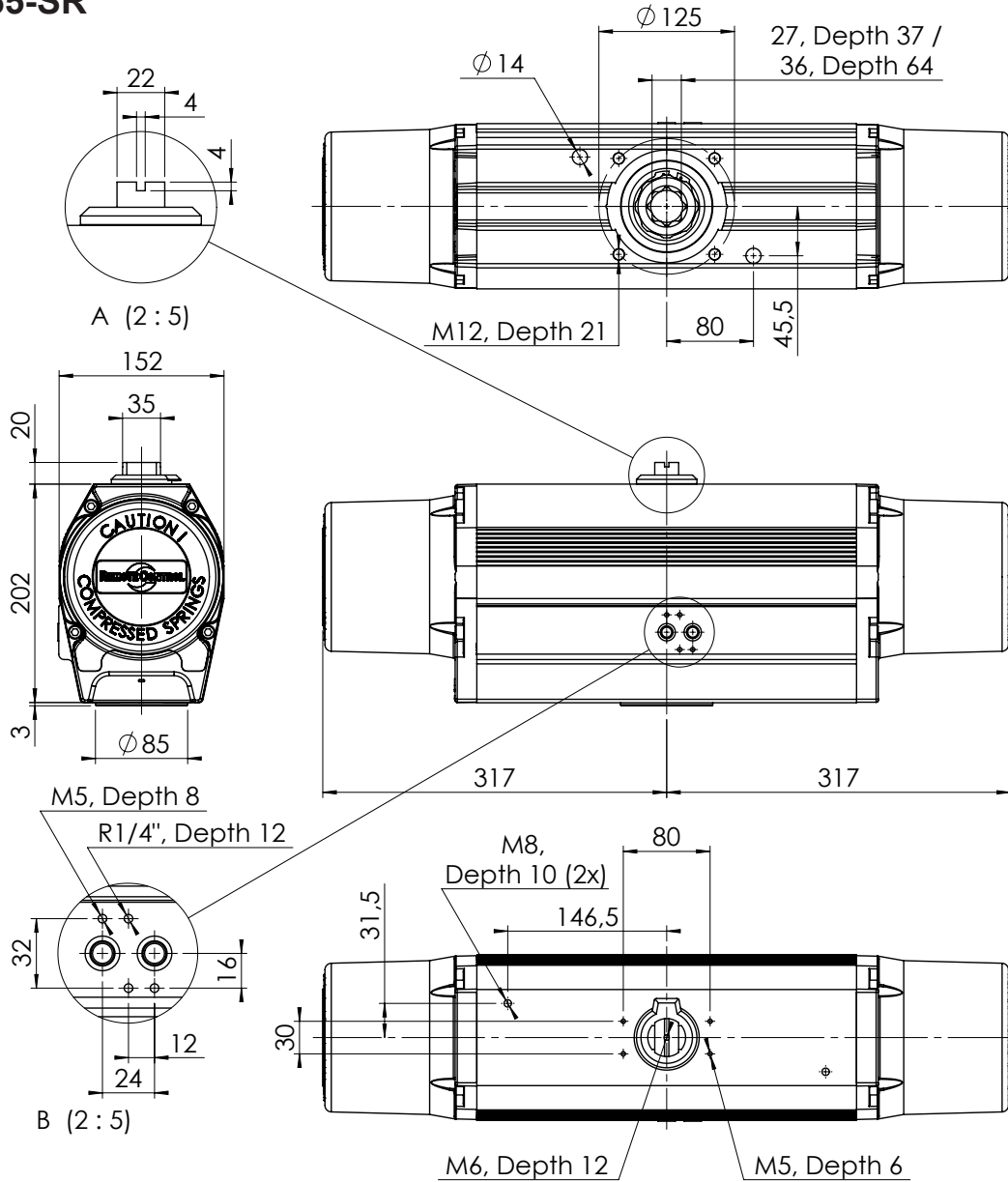
Technical Data



Technical Data

- External adjustable limit stops in open and closed position, $\pm 4^\circ$
- No connection to the pressurized cylinder, therefore no limitation as to service availability when adjusting
- Torques at 6 bar/87 psi:
Air opens 721 Nm
Spring closes 460 Nm
- Cylinder \varnothing 140 mm
- Seal materials for high efficiency and minimal hysteresis
- Compact design of spring houses, for minimized air consumption
- Valve interface F12/27, according to ISO 5211/DIN3337
- Wide air channels for short operation times
- Chrome-plated and painted spring houses for additional corrosion protection
- Easily changeable cam for different turning angles (accessible without dismantling the actuator)

RC265-SR



Ref 002404 A

Torque Nm

	Air opens →			Spring closes ←		
	0°	60°	90°	90°	30°	0°
2,8 bar 40 psi	340	132	175	301	153	211
4,1 bar/60 psi	490	187	246	452	230	317
5,5 bar/80 psi	660	253	334	602	307	423
6 bar/87 psi	721	277	366	655	334	460
7 bar/100 psi	850	329	438	753	383	529

AIR CONSUMPTION
36 dm³
Free air at 6 bar air pressure

OPERATION TIME
Anti-clockwise and clockwise rotation
<1,5 sec
At 6 bar air pressure

Max. working pressure 8 bar
Weight: 26,6 kg

