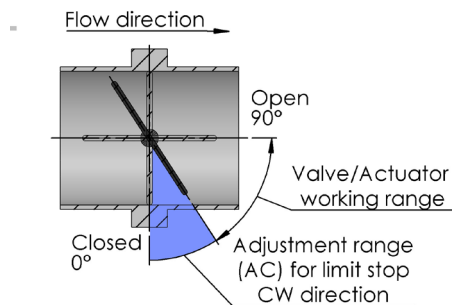


	AC = Adjustable limit stop for clockwise (CW) direction						AO = Adjustable limit stop for counter clockwise (CCW) direction						ACO = Adjustable limit stops for CW and CCW			
	DA	SR	SRF	DAM	SRM	SRMF	DA	SR	SRF	DAM	SRM	SRMF	DA	SR	SRF	DAM/SRM/SRMF
RC210	AC90	AC90	AC90	AC90	AC90	N/A	AO90	AO90	AO90	AO90	N/A	AO90	9090	9090	9090	N/A
RC220	AC90	AC33	AC45 AC90	AC90	AC33	AC90	AO90	AO45 AO90	AO33	AO90	AO90	AO33	9033 3390	3390	9033	N/A
RC230	AC90	AC90	AC90	AC90	AC90	N/A	AO90	AO90	AO90	AO90	N/A	AO90	9090	9090	9090	N/A
RC240	AC45 AC90	AC25	AC25 AC90	AC90	AC25	AC25 AC90	AO90	AO90	AO25	AO90	AO90	AO25	9025 2590	2590	9025	N/A
RC250	AC90	AC25 AC90	AC90	AC90	AC25 AC90	N/A	AO90	AO90	AO25	AO90	N/A	AO90	9090	2590 9090	9025 9090	N/A
RC260	AC75 AC90	AC14 AC45	AC90	AC90	AC14	AC90	AO15 AO45 AO90	AO15 AO45 AO90	AO14	AO90	AO90	AO14	9014 1490 9090	1490 4590 9090	9014 9045 9090	N/A
RC270	AC90	AC60 AC90	AC90	AC60 AC90	AC90	N/A	AO90	AO90	AO30 AO90	AO90	N/A	AO90	9020 2090 6090 9060	6090	9060	N/A
RC280	AC90	AC25 AC35	AC30 AC35 AC90	AC90	AC25	AC90	AO14 AO90	AO90	AO35	AO90	AO90	AO35	3590 9035	3590	9035	N/A

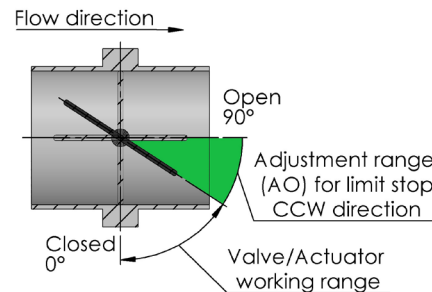
AC actuator has an adjustable limit stop for the clockwise direction.
The number indicates how many degrees the limit stop can be adjusted.
Example: RC220-SR-AC33 can limit the clockwise stroke up to 33° degrees.

Adjustable closed position (AC)



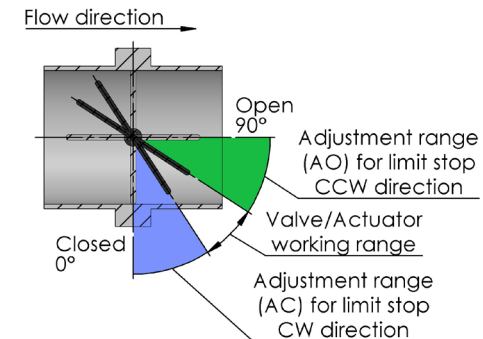
AO actuator has an adjustable limit stop for the counter clockwise direction.
The number indicates how many degrees the limit stop can be adjusted.
Example: RC220-SRF-AO33 can limit the counter clockwise stroke up to 33° degrees.

Adjustable open position (AO)



ACO actuator has adjustable limit stops for both clockwise direction and counter clockwise direction.
The first two digits indicates how many degrees the limit stop can be adjusted for the clockwise direction and the last two digits indicates for the counter clockwise direction.

Adjustable closed and open position (ACO)



Maximum Air pressure: 6 bar