

- Ⓢ LIFTING POINT ACTUATOR ONLY
- D ACCORDING TO VALVE FLANGE
- X1 HYDRAULIC CONNECTION
- NOTE 3 CONTROL PANEL INTERFACE ACCORDING TO : DWG. GD00198-040
- NOTE 2 COUPLING ACTUATOR INTERFACE ACCORDING TO : DWG. GD00198-030
- NOTE 1 MICROSWITCHES GROUP INTERFACE ACCORDING TO : DWG. GD00220

All dimensions are in mm.



SINGLE ACTING HYDRAULIC ACTUATOR
FAIL TO OPEN
OVERALL DIMENSIONS

02	22.04.10	BERNINI	BARSOGLI
01	08.06.05	BERNINI	BARSOGLI
00	21.01.02	BONGIOVANNI	FERDENZI
rev.	date	drawn	check
OGHA000ADC			

REPORTED ARE MAXIMUM DIMENSIONS - IT WILL BE CARE OF R.F.S. TO INFORM YOU IN CASE OF ANY DIMENSIONAL INCREASE



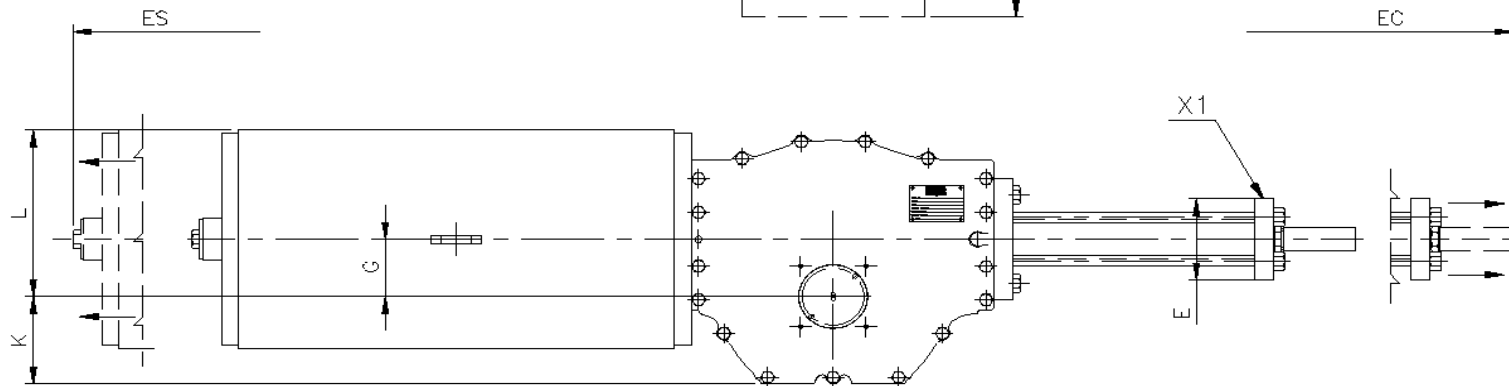
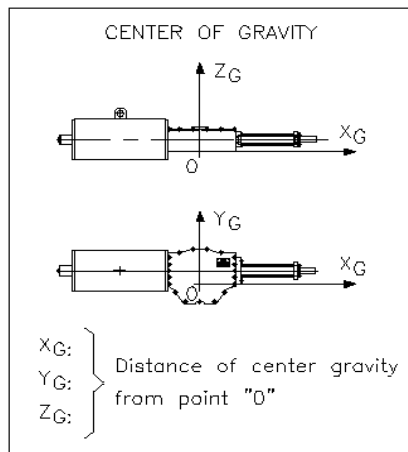
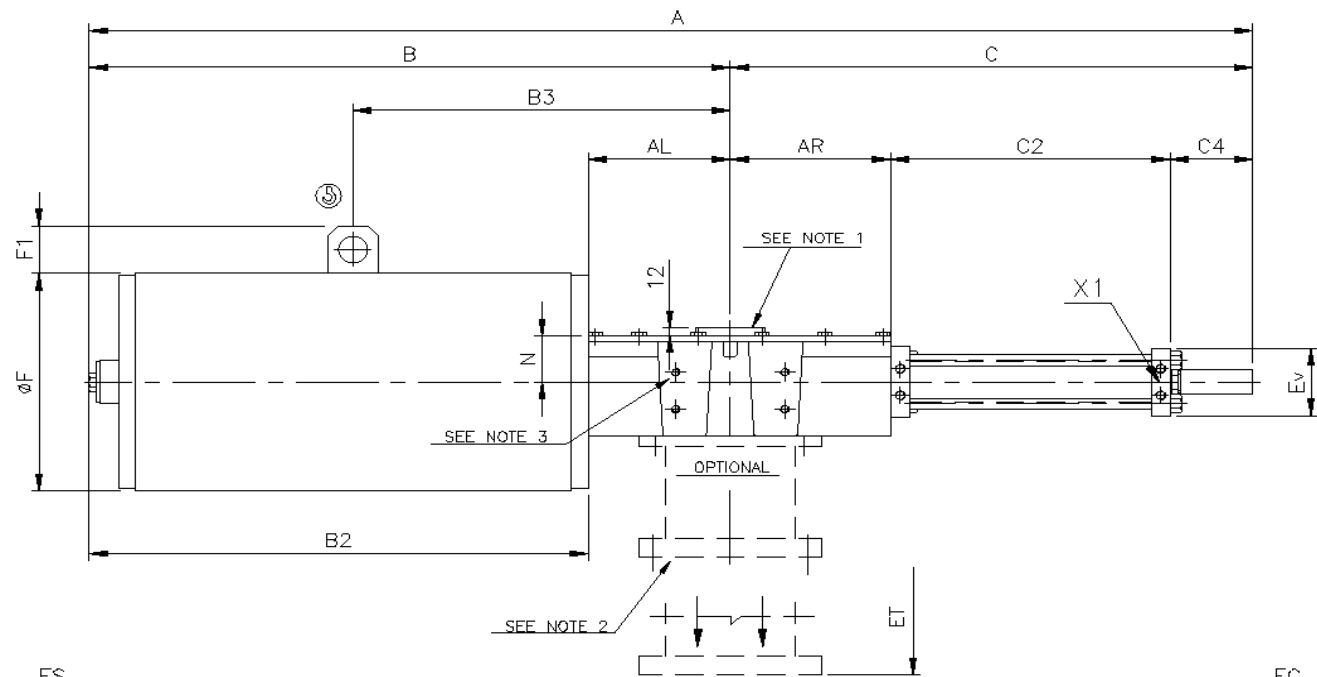
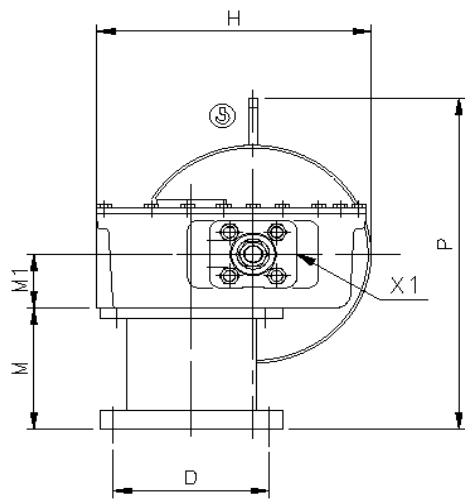
GH RANGE METRIC DIMENSION DATA
- SINGLE ACTING - FAIL OPEN - OGHAA000ADC REV.2

Table with columns for ACTUATOR MODEL, ACTUATOR OVERALL DIMENSIONS (mm), CARTER, SPOOL (OPTIONAL), CLEARANCE FOR DISASSEMBLY, DISPLACEMENT (LITRES), X, weight, and CENTER GRAVITY (XG, ZG, YG). Rows include models from GH-130 to GH-160.



GH RACTE METRIC DIMENSION DATA
- SINGLE ACTING - FAIL OPEN - OGH000ADC REV.2

Table with columns: ACTUATOR MODEL, ACTUATOR OVERALL DIMENSIONS (mm), CARTER, SPOOL * (OPTIONAL), CLEARANCE FOR DISASSEMBLY, DISPLACEMENT (LITRES), X, weight, CENTER GRAVITY (XG, ZG, YG). Rows include models like GH-200*090/O2, GH-201*090/O3, GH-201*090/O7, etc.



- Ⓢ LIFTING POINT ACTUATOR ONLY
- D ACCORDING TO VALVE FLANGE
- X1 HYDRAULIC CONNECTION
- NOTE 3 CONTROL PANEL INTERFACE ACCORDING TO : DWG. GD00198-040
- NOTE 2 COUPLING ACTUATOR INTERFACE ACCORDING TO : DWG. GD00198-030
- NOTE 1 MICROSWITCHES GROUP INTERFACE ACCORDING TO : DWG. GD00220

All dimensions are in mm

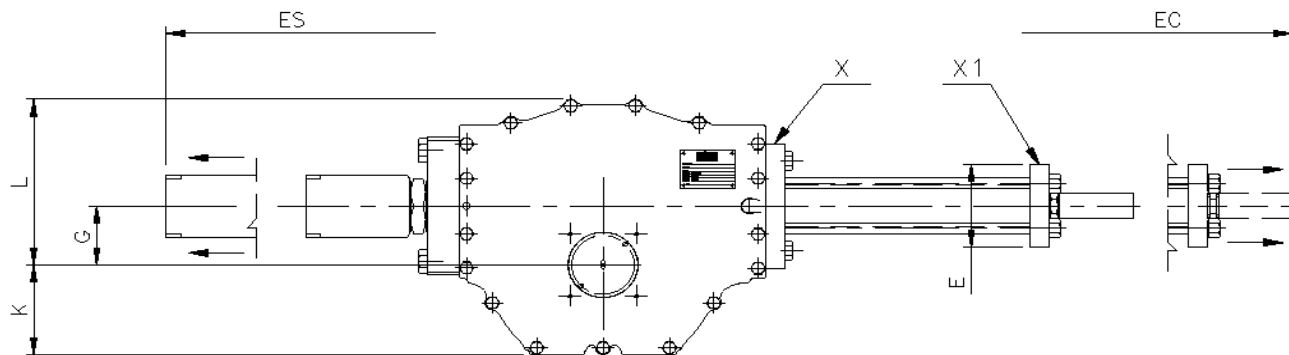
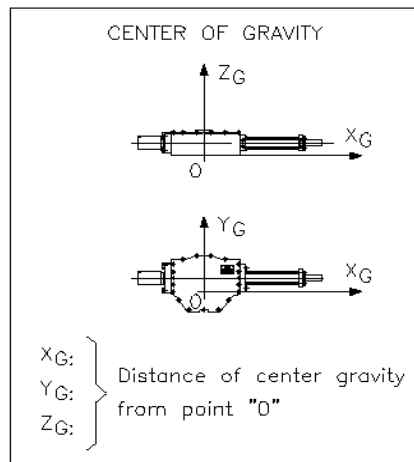
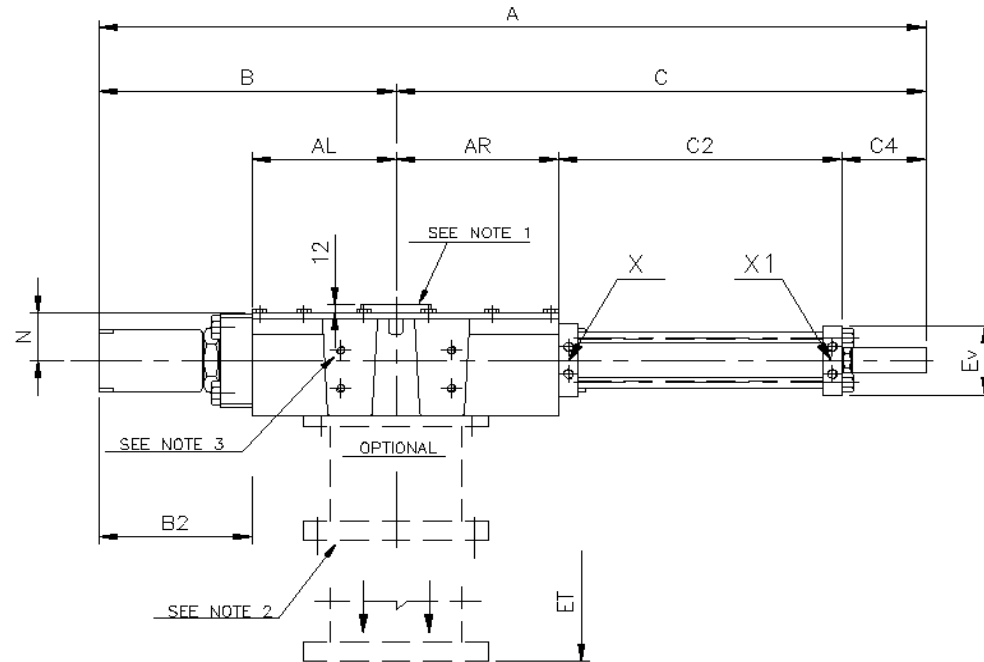
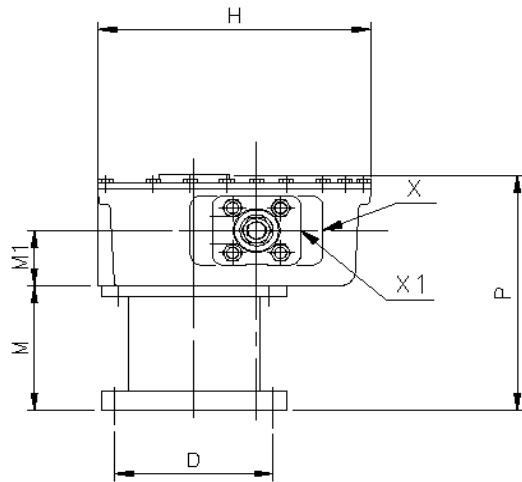
rotork
fluid systems

SINGLE ACTING HYDRAULIC ACTUATOR
FAIL TO CLOSE
OVERALL DIMENSIONS

02	22.04.10	BERNINI	BARSOITI
01	08.06.05	BERNINI	BARSOITI
00	21.01.02	BONGIOVANNI	FERDENZI
rev.	date	drawn	check
OGHC000ADC			

REPORTED ARE MAXIMUM DIMENSIONS - IT WILL BE CARE OF R.F.S. TO INFORM YOU IN CASE OF ANY DIMENSIONAL INCREASE

Table with columns for Actuator Model, Actuator Overall Dimensions (mm), Carter, Spool (Optional), Clearance for Disassembly, Displacement (Litres), X, weight, and Center Gravity (XG, ZG, YG). The table is divided into two main sections: GH 161 - Carter Cast Iron - Flange Type ISO F35 and GH 200 - Carter Carbon Steel - Flange Type ISO F40. Each section contains a list of actuator models with their corresponding dimensions and weights.



- Ⓢ LIFTING POINT ACTUATOR ONLY
- D ACCORDING TO VALVE FLANGE
- X-X1 HYDRAULIC CONNECTION
- NOTE 3 CONTROL PANEL INTERFACE ACCORDING TO : DWG. GD00198-040
- NOTE 2 COUPLING ACTUATOR INTERFACE ACCORDING TO : DWG. GD00198-030
- NOTE 1 MICROSWITCHES GROUP INTERFACE ACCORDING TO : DWG. GD00220

All dimensions are in mm

rotork®
fluid systems

DOUBLE ACTING HYDRAULIC ACTUATOR
OVERALL DIMENSIONS

03	22.04.10	BERNINI	BARSOITI
02	08.06.05	BERNINI	BARSOITI
00	24.01.02	BONGIANNI	FERDENZI
rev.	date	drawn	check
OGHD000ADC			

REPORTED ARE MAXIMUM DIMENSIONS - IT WILL BE CARE OF R.F.S. TO INFORM YOU IN CASE OF ANY DIMENSIONAL INCREASE

