

- ⊙ LIFTING POINT ACTUATOR ONLY
- D ACCORDING TO VALVE FLANGE
- X HYDRAULIC CONNECTION
- NOTE 3 CONTROL PANEL INTERFACE ACCORDING TO : DWG. GD00198-040
- NOTE 2 COUPLING ACTUATOR INTERFACE ACCORDING TO : DWG. GD00198-030
- NOTE 1 MICROSWITCHES GROUP INTERFACE ACCORDING TO : DWG. GD00220

All dimensions are in mm



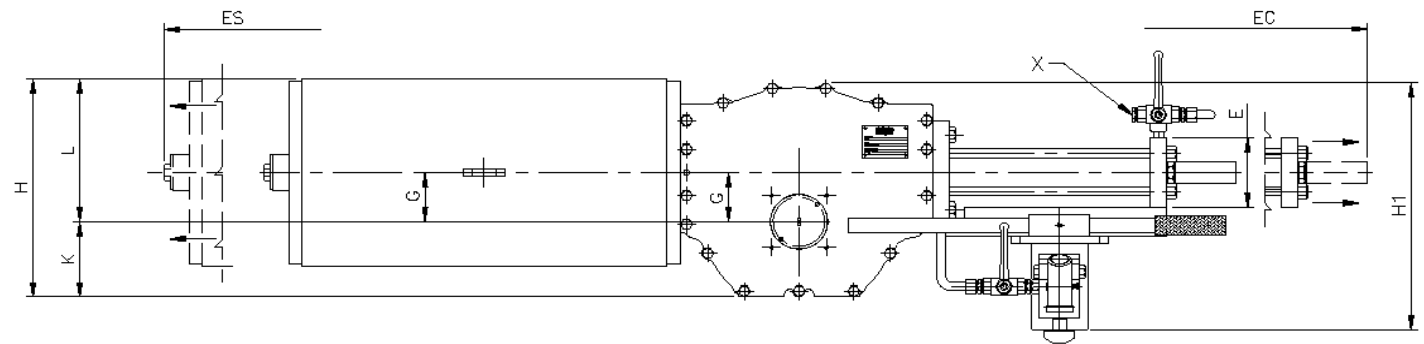
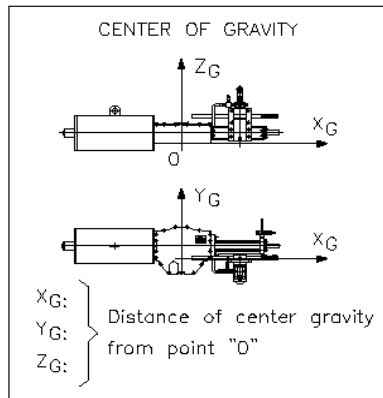
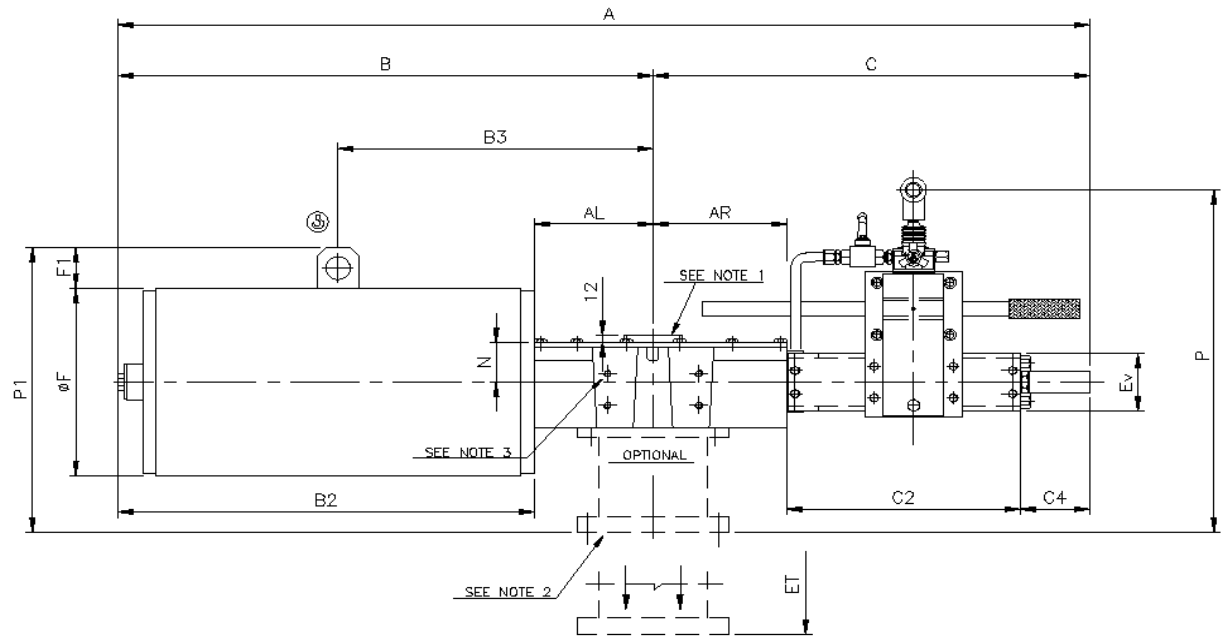
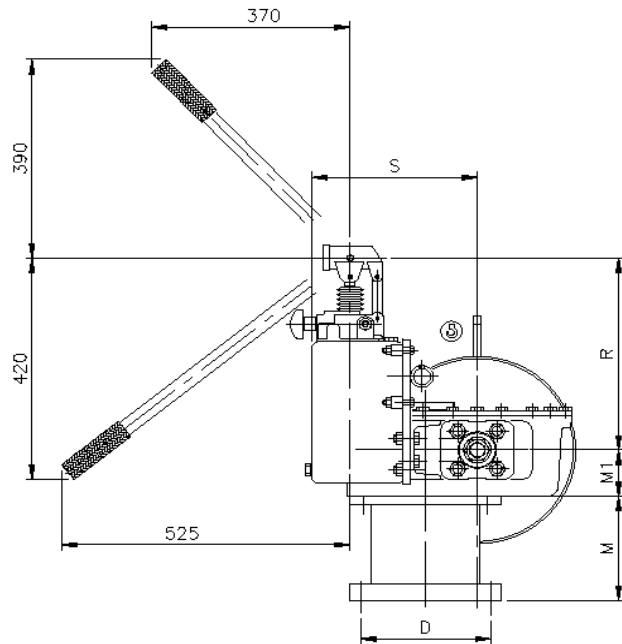
SINGLE ACTING HYDRAULIC ACTUATOR  
 FAIL TO OPEN c/w HPB  
 OVERALL DIMENSIONS

03	26.04.10	BERNINI	BARSOITI
02	22.06.06	BERNINI	BARSOITI
00	24.01.02	BONGIOVANNI	FERDENZI
rev.	date	drawn	check
OGHAH00ADC			

REPORTED ARE MAXIMUM DIMENSIONS - IT WILL BE CARE OF R.F.S. TO INFORM YOU IN CASE OF ANY DIMENSIONAL INCREASE







③ LIFTING POINT ACTUATOR ONLY  
 D ACCORDING TO VALVE FLANGE  
 X HYDRAULIC CONNECTION

NOTE 3 CONTROL PANEL INTERFACE ACCORDING TO : DWG. GD00198-040  
 NOTE 2 COUPLING ACTUATOR INTERFACE ACCORDING TO : DWG. GD00198-030  
 NOTE 1 MICROSWITCHES GROUP INTERFACE ACCORDING TO : DWG. GD00220

All dimensions are in mm

**rotork®**  
 fluid systems

SINGLE ACTING HYDRAULIC ACTUATOR  
 FAIL TO CLOSE c/w HPB  
 OVERALL DIMENSIONS

03	26.04.10	BERNINI	BARSOITI
02	22.06.06	BERNINI	BARSOITI
00	24.01.02	BONGIOVANNI	FERDIZZI
rev.	date	drawn	check

OGHCH00ADC

REPORTED ARE MAXIMUM DIMENSIONS - IT WILL BE CARE OF R.F.S. TO INFORM YOU IN CASE OF ANY DIMENSIONAL INCREASE

ACTUATOR MODEL	ACTUATOR OVERALL DIMENSIONS (mm)																			CARTER		SPOOL * (OPTIONAL)			CLEARANCE FOR DISASSEMBLY			DISPLACEMENT (LITRES)		X	weight	CENTER GRAVITY				
	A	B	C	B2	B3	C2	C4	Ev	E	F	F1	G	H	H1	K	L	N	P	P1	R	S	AL	AR	M1	M	Weight	ES	EC	ET	Simm.	Canted	(NPT)	(Kg)	XG	ZG	YG
	GH 065 - CARTER CARBON STEEL - FLANGE TYPE ISO F25																																			
GH-065°-040°/C1 HPB	1526	839	687	672.5	443	384	112	100	120	273	70	65	347	409	145	202	70	550	427	330	272	165	190	80	140	33	260	130	140	0.18	0.19	1/4"	147	-168.0	73.0	53.5
GH-065°-045°/C1 HPB	1526	839	687	672.5	443	384	112	106	134	273	70	65	347	421	145	202	70	550	427	330	284	165	190	80	140	33	260	130	140	0.23	0.24	1/4"	148	-164.6	73.0	53.6
GH-065°-050°/C1 HPB	1526	839	687	672.5	443	384	112	106	134	273	70	65	347	421	145	202	70	550	427	330	284	165	190	80	140	33	260	130	140	0.28	0.30	1/4"	148	-164.3	73.0	53.6
GH-065°-060°/C1 HPB	1526	839	687	672.5	443	384	112	110	110	273	70	65	347	404	145	202	70	550	427	330	267	165	190	80	140	33	260	130	140	0.40	0.43	1/2"	152	-150.6	73.0	53.9
GH-065°-070°/C1 HPB	1531	839	692	672.5	443	384	117	135	135	273	70	65	347	421	145	202	70	550	427	330	285	165	190	80	140	33	260	130	140	0.55	0.59	1/2"	160	-125.3	73.0	54.4
GH-065°-080°/C1 HPB	1526	839	687	672.5	443	384	112	116	116	273	70	65	347	407	145	202	70	550	427	330	270	165	190	80	140	33	260	130	140	0.72	0.76	1/2"	156	-136.8	73.0	54.1
GH-065°-090°/C1 HPB	1535	839	696	672.5	443	388	117	130	115	273	70	65	347	411	145	202	70	550	427	330	275	165	190	80	140	33	260	130	140	0.91	0.97	1/2"	160	-123.7	73.0	54.1
GH-065°-100°/C1 HPB	1551	839	712	672.5	443	384	137	130	130	273	70	65	347	419	145	202	70	550	427	330	282	165	190	80	140	33	260	150	140	1.12	1.19	1/2"	160	-123.6	73.0	54.4
GH-065°-110°/C1 HPB	1580	839	741	672.5	443	413	137	160	145	273	70	65	347	426	145	202	70	550	427	330	290	165	190	80	140	33	260	150	140	1.36	1.44	1/2"	175	-77.3	73.0	55.2
GH-065°-125°/C1 HPB	1582	839	743	672.5	443	415	137	180	175	273	70	65	347	466	145	202	70	550	427	330	320	165	190	80	140	33	260	150	140	1.75	1.87	1/2"	177	-70.8	73.0	55.3
GH-065°-140°/C1 HPB	1587	839	748	672.5	443	420	137	220	170	273	70	65	347	464	145	202	70	550	427	330	327	165	190	80	140	33	260	150	140	2.20	2.34	1/2"	196	-26.0	73.0	56.2
GH-065°-160°/C1 HPB	1582	839	743	672.5	443	415	137	220	190	273	70	65	347	469	145	202	70	550	427	330	332	165	190	80	140	33	260	150	140	2.87	3.06	3/4"	202	-13.2	73.0	56.5
GH-065°-180°/C1 HPB	1654	839	815	672.5	443	466	158	220	240	273	70	65	347	494	145	202	70	550	427	330	357	165	190	80	140	33	260	160	140	3.64	3.87	3/4"	223	37.8	73.0	57.2
GH-065°-200°/C1 HPB	1633	839	794	672.5	443	466	137	240	240	273	70	65	347	494	145	202	70	550	427	330	357	165	190	80	140	33	260	160	140	4.49	4.77	3/4"	233	61.1	73.0	57.6
GH-065°-040°/C2 HPB	1526	839	687	672.5	443	384	112	100	120	273	70	65	347	409	145	202	70	550	427	330	272	165	190	80	140	33	260	130	140	0.18	0.19	1/4"	147	-168.0	73.0	53.5
GH-065°-045°/C2 HPB	1526	839	687	672.5	443	384	112	106	134	273	70	65	347	421	145	202	70	550	427	330	284	165	190	80	140	33	260	130	140	0.23	0.24	1/4"	148	-164.6	73.0	53.6
GH-065°-050°/C2 HPB	1526	839	687	672.5	443	384	112	106	134	273	70	65	347	421	145	202	70	550	427	330	284	165	190	80	140	33	260	130	140	0.28	0.30	1/4"	148	-164.3	73.0	53.6
GH-065°-060°/C2 HPB	1526	839	687	672.5	443	384	112	110	110	273	70	65	347	404	145	202	70	550	427	330	267	165	190	80	140	33	260	130	140	0.40	0.43	1/2"	152	-150.6	73.0	53.9
GH-065°-070°/C2 HPB	1531	839	692	672.5	443	384	117	135	135	273	70	65	347	421	145	202	70	550	427	330	285	165	190	80	140	33	260	130	140	0.55	0.59	1/2"	160	-125.3	73.0	54.4
GH-065°-080°/C2 HPB	1526	839	687	672.5	443	384	112	116	116	273	70	65	347	407	145	202	70	550	427	330	270	165	190	80	140	33	260	130	140	0.72	0.76	1/2"	156	-136.8	73.0	54.1
GH-065°-090°/C2 HPB	1535	839	696	672.5	443	388	117	130	115	273	70	65	347	411	145	202	70	550	427	330	275	165	190	80	140	33	260	130	140	0.91	0.97	1/2"	160	-123.7	73.0	54.1
GH-065°-100°/C2 HPB	1551	839	712	672.5	443	384	137	130	130	273	70	65	347	419	145	202	70	550	427	330	282	165	190	80	140	33	260	150	140	1.12	1.19	1/2"	160	-123.6	73.0	54.4
GH-065°-110°/C2 HPB	1580	839	741	672.5	443	413	137	160	145	273	70	65	347	426	145	202	70	550	427	330	290	165	190	80	140	33	260	150	140	1.36	1.44	1/2"	175	-77.3	73.0	55.2
GH-065°-125°/C2 HPB	1582	839	743	672.5	443	415	137	180	175	273	70	65	347	466	145	202	70	550	427	330	320	165	190	80	140	33	260	150	140	1.75	1.87	1/2"	177	-70.8	73.0	55.3
GH-065°-140°/C2 HPB	1587	839	748	672.5	443	420	137	220	170	273	70	65	347	464	145	202	70	550	427	330	327	165	190	80	140	33	260	150	140	2.20	2.34	1/2"	196	-26.0	73.0	56.2
GH-065°-160°/C2 HPB	1582	839	743	672.5	443	415	137	220	190	273	70	65	347	469	145	202	70	550	427	330	332	165	190	80	140	33	260	150	140	2.87	3.06	3/4"	202	-13.2	73.0	56.5
GH-065°-180°/C2 HPB	1654	839	815	672.5	443	466	158	220	240	273	70	65	347	494	145	202	70	550	427	330	357	165	190	80	140	33	260	160	140	3.64	3.87	3/4"	223	37.8	73.0	57.2
GH-065°-200°/C2 HPB	1633	839	794	672.5	443	466	137	240	240	273	70	65	347	494	145	202	70	550	427	330	357	165	190	80	140	33	260	160	140	4.49	4.77	3/4"	233	61.1	73.0	57.6
GH-065°-040°/C4 HPB	1469	782	687	615.5	462	384	112	100	120	323.9	70	65	372	434	145	227	70	550	452	330	272	165	190	80	140	33	260	130	140	0.18	0.19	1/4"	207	-241.6	73.0	56.7
GH-065°-045°/C4 HPB	1469	782	687	615.5	462	384	112	106	134	323.9	70	65	372	446	145	227	70	550	452	330	284	165	190	80	140	33	260	130	140	0.23	0.24	1/4"	208	-238.8	73.0	56.7
GH-065°-050°/C4 HPB	1469	782	687	615.5	462	384	112	106	134	323.9	70	65	372	446	145	227	70	550	452	330	284	165	190	80	140	33	260	130	140	0.28	0.30	1/4"	208	-238.5	73.0	56.7
GH-065°-060°/C4 HPB	1469	782	687	615.5	462	384	112	110	110	323.9	70	65	372	429	145	227	70	550	452	330	267	165	190	80	140	33	260	130	140	0.40	0.43	1/2"	212	-227.2	73.0	56.9
GH-065°-070°/C4 HPB	1474	782	692	615.5	462	384	117	135	135	323.9	70	65	372	446	145	227	70	550	452	330	285	165	190	80	140	33	260	130	140	0.55	0.59	1/2"	220	-205.8	73.0	57.1
GH-065°-080°/C4 HPB	1469	782	687	615.5	462	384	112	116	116	323.9	70	65	372	432	145	227	70	550	452	330	270	165	190	80	140	33	260	130	140	0.72	0.76	1/2"	216	-215.7	73.0	57.0
GH-065°-090°/C4 HPB	1478	782	696	615.5	462	388	117	130	115	323.9	70	65	372	436	145	227	70	550	452	330	275	165	190	80	140	33	260	130	140	0.91	0.97	1/2"	220	-204.6	73.0	57.1
GH-065°-100°/C4 HPB	1494	782	712	615.5	462	384	137	130	130	323.9	70	65	372	444	145	227	70	550	452	330	282	165	190	80	140	33	260	150	140	1.12	1.19	1/2"	220	-204.5	73.0	57.1
GH-065°-110°/C4 HPB	1523	782	741	615.5	462	413	137	160	145	323.9	70	65	372	451	145	227	70	550	452	330	290	165	190	80	140	33	260	150	140	1.36	1.44	1/2"	235	-164.6	73.0	57.6
GH-065°-125°/C4 HPB	1525	782	743	615.5	462	41																														

ACTUATOR MODEL	ACTUATOR OVERALL DIMENSIONS (mm)																			CARTER		SPOOL * (OPTIONAL)			CLEARANCE FOR DISASSEMBLY			DISPLACEMENT (LITRES)		X	weight	CENTER GRAVITY				
	A	B	C	B2	B3	C2	C4	Ev	E	F	F1	G	H	H1	K	L	N	P	P1	R	S	AL	AR	M1	M	Weight	ES	EC	ET	Simm.	Canted	(NPT)	(Kg)	XG	ZG	YG
	GH 085 - CARTER CAST IRON - FLANGE TYPE ISO F25																																			
GH-085-040/C1 HPB	1586	869	717	672.5	473	384	112	100	120	273	70	85	352	409	130	222	70	550	427	330	272	195	220	80	140	33	305	150	140	0.23	0.25	1/4"	172	-154.6	74.0	70.1
GH-085-045/C1 HPB	1586	869	717	672.5	473	384	112	106	134	273	70	85	352	421	130	222	70	550	427	330	284	195	220	80	140	33	305	150	140	0.30	0.32	1/4"	173	-151.2	74.0	70.2
GH-085-050/C1 HPB	1586	869	717	672.5	473	384	112	106	134	273	70	85	352	421	130	222	70	550	427	330	284	195	220	80	140	33	305	150	140	0.37	0.39	1/4"	173	-150.2	74.0	70.2
GH-085-060/C1 HPB	1586	869	717	672.5	473	384	112	110	110	273	70	85	352	404	130	222	70	550	427	330	267	195	220	80	140	33	305	150	140	0.53	0.57	1/2"	177	-137.3	74.0	70.5
GH-085-070/C1 HPB	1591	869	722	672.5	473	384	117	135	135	273	70	85	352	421	130	222	70	550	427	330	285	195	220	80	140	33	305	150	140	0.72	0.77	1/2"	185	-114.2	74.0	71.1
GH-085-080/C1 HPB	1586	869	717	672.5	473	384	112	116	116	273	70	85	352	407	130	222	70	550	427	330	270	195	220	80	140	33	305	150	140	0.94	1.01	1/2"	181	-124.1	74.0	70.8
GH-085-090/C1 HPB	1595	869	726	672.5	473	388	117	130	115	273	70	85	352	411	130	222	70	550	427	330	275	195	220	80	140	33	305	150	140	1.19	1.27	1/2"	185	-112.1	74.0	71.1
GH-085-100/C1 HPB	1611	869	742	672.5	473	384	137	130	130	273	70	85	352	419	130	222	70	550	427	330	282	195	220	80	140	33	305	150	140	1.47	1.57	1/2"	185	-115.4	74.0	71.1
GH-085-110/C1 HPB	1640	869	771	672.5	473	413	137	160	145	273	70	85	352	426	130	222	70	550	427	330	290	195	220	80	140	33	305	150	140	1.78	1.90	1/2"	200	-76.8	74.0	72.1
GH-085-125/C1 HPB	1642	869	773	672.5	473	415	137	180	175	273	70	85	352	466	130	222	70	550	427	330	320	195	220	80	140	33	305	150	140	2.29	2.45	1/2"	202	-69.9	74.0	72.2
GH-085-140/C1 HPB	1647	869	778	672.5	473	420	137	220	170	273	70	85	352	464	130	222	70	550	427	330	327	195	220	80	140	33	305	150	140	2.88	3.08	1/2"	221	-29.5	74.0	73.3
GH-085-160/C1 HPB	1642	869	773	672.5	473	415	137	220	190	273	70	85	352	469	130	222	70	550	427	330	332	195	220	80	140	33	305	150	140	3.76	4.02	3/4"	227	-15.9	74.0	73.6
GH-085-180/C1 HPB	1714	869	845	672.5	473	466	158	220	240	273	70	85	352	494	130	222	70	550	427	330	357	195	220	80	140	33	305	160	140	4.76	5.09	3/4"	248	-21.3	74.0	74.5
GH-085-200/C1 HPB	1693	869	824	672.5	473	466	137	240	240	273	70	85	352	494	130	222	70	550	427	330	357	195	220	80	140	33	305	160	140	5.87	6.28	3/4"	258	-43.0	74.0	74.9
GH-085-040/C2 HPB	1586	869	717	672.5	473	384	112	100	120	273	70	85	352	409	130	222	70	550	427	330	272	195	220	80	140	33	305	150	140	0.23	0.25	1/4"	181	-172.2	74.0	70.8
GH-085-045/C2 HPB	1586	869	717	672.5	473	384	112	106	134	273	70	85	352	421	130	222	70	550	427	330	284	195	220	80	140	33	305	150	140	0.30	0.32	1/4"	182	-168.9	74.0	70.9
GH-085-050/C2 HPB	1586	869	717	672.5	473	384	112	106	134	273	70	85	352	421	130	222	70	550	427	330	284	195	220	80	140	33	305	150	140	0.37	0.39	1/4"	182	-167.8	74.0	70.9
GH-085-060/C2 HPB	1586	869	717	672.5	473	384	112	110	110	273	70	85	352	404	130	222	70	550	427	330	267	195	220	80	140	33	305	150	140	0.53	0.57	1/2"	186	-155.2	74.0	71.2
GH-085-070/C2 HPB	1591	869	722	672.5	473	384	117	135	135	273	70	85	352	421	130	222	70	550	427	330	285	195	220	80	140	33	305	150	140	0.72	0.77	1/2"	194	-132.5	74.0	71.7
GH-085-080/C2 HPB	1586	869	717	672.5	473	384	112	116	116	273	70	85	352	407	130	222	70	550	427	330	270	195	220	80	140	33	305	150	140	0.94	1.01	1/2"	190	-142.2	74.0	71.5
GH-085-090/C2 HPB	1595	869	726	672.5	473	388	117	130	115	273	70	85	352	411	130	222	70	550	427	330	275	195	220	80	140	33	305	150	140	1.19	1.27	1/2"	194	-130.5	74.0	71.7
GH-085-100/C2 HPB	1611	869	742	672.5	473	384	137	130	130	273	70	85	352	419	130	222	70	550	427	330	282	195	220	80	140	33	305	150	140	1.47	1.57	1/2"	194	-133.6	74.0	71.7
GH-085-110/C2 HPB	1640	869	771	672.5	473	413	137	160	145	273	70	85	352	426	130	222	70	550	427	330	290	195	220	80	140	33	305	150	140	1.78	1.90	1/2"	209	-95.3	74.0	72.6
GH-085-125/C2 HPB	1642	869	773	672.5	473	415	137	180	175	273	70	85	352	466	130	222	70	550	427	330	320	195	220	80	140	33	305	150	140	2.29	2.45	1/2"	211	-88.5	74.0	72.7
GH-085-140/C2 HPB	1647	869	778	672.5	473	420	137	220	170	273	70	85	352	464	130	222	70	550	427	330	327	195	220	80	140	33	305	150	140	2.88	3.08	1/2"	230	-48.1	74.0	73.7
GH-085-160/C2 HPB	1642	869	773	672.5	473	415	137	220	190	273	70	85	352	469	130	222	70	550	427	330	332	195	220	80	140	33	305	150	140	3.76	4.02	3/4"	236	-34.6	74.0	74.0
GH-085-180/C2 HPB	1714	869	845	672.5	473	466	158	220	240	273	70	85	352	494	130	222	70	550	427	330	357	195	220	80	140	33	305	160	140	4.76	5.09	3/4"	257	-2.9	74.0	74.9
GH-085-200/C2 HPB	1693	869	824	672.5	473	466	137	240	240	273	70	85	352	494	130	222	70	550	427	330	357	195	220	80	140	33	305	160	140	5.87	6.28	3/4"	267	-24.4	74.0	75.2
GH-085-040/C3 HPB	1599	882	717	685.5	519	384	112	100	120	323.9	70	85	377	434	130	247	70	550	452	330	272	195	220	80	140	33	305	150	140	0.23	0.25	1/4"	236	-255.5	74.0	74.0
GH-085-045/C3 HPB	1599	882	717	685.5	519	384	112	106	134	323.9	70	85	377	446	130	247	70	550	452	330	284	195	220	80	140	33	305	150	140	0.30	0.32	1/4"	237	-252.6	74.0	74.0
GH-085-050/C3 HPB	1599	882	717	685.5	519	384	112	106	134	323.9	70	85	377	446	130	247	70	550	452	330	284	195	220	80	140	33	305	150	140	0.37	0.39	1/4"	237	-251.8	74.0	74.0
GH-085-060/C3 HPB	1599	882	717	685.5	519	384	112	110	110	323.9	70	85	377	429	130	247	70	550	452	330	267	195	220	80	140	33	305	150	140	0.53	0.57	1/2"	241	-240.5	74.0	74.2
GH-085-070/C3 HPB	1604	882	722	685.5	519	384	117	135	135	323.9	70	85	377	446	130	247	70	550	452	330	285	195	220	80	140	33	305	150	140	0.72	0.77	1/2"	249	-220.0	74.0	74.5
GH-085-080/C3 HPB	1599	882	717	685.5	519	384	112	116	116	323.9	70	85	377	432	130	247	70	550	452	330	270	195	220	80	140	33	305	150	140	0.94	1.01	1/2"	245	-229.0	74.0	74.4
GH-085-090/C3 HPB	1608	882	726	685.5	519	388	117	130	115	323.9	70	85	377	436	130	247	70	550	452	330	275	195	220	80	140	33	305	150	140	1.19	1.27	1/2"	249	-218.4	74.0	74.5
GH-085-100/C3 HPB	1624	882	742	685.5	519	384	137	130	130	323.9	70	85	377	444	130	247	70	550	452	330	282	195	220	80	140	33	305	150	140	1.47	1.57	1/2"	249	-220.9	74.0	74.5
GH-085-110/C3 HPB	1653	882	771	685.5	519	413	137	160	145	323.9	70	85	377	451	130	247	70	550	452	330	290	195	220	80	140	33	305	150	140	1.78	1.90	1/2"	264	-185.4	74.0	75.1
GH-085-125/C3 HPB	1655	882	773	685.5	519	415	137	180	175	323.9	70	85	377	491	130	247	70	550	452	330																



**GH RANGE METRIC DIMENSION DATA**  
**- SINGLE ACTING - FAIL CLOSE - OGH000ADC REV.3**

ACTUATOR MODEL	ACTUATOR OVERALL DIMENSIONS (mm)																			CARTER		SPOOL * (OPTIONAL)			CLEARANCE FOR DISASSEMBLY			DISPLACEMENT (LITRES)		X	weight	CENTER GRAVITY				
	A	B	C	B2	B3	C2	C4	Ev	E	F	F1	G	H	H1	K	L	N	P	P1	R	S	AL	AR	M1	M	Weight	ES	EC	ET	Simm.	Canted	(NPT)	(Kg)	XG	ZG	YG
GH-085°-040°/C6 HPB	1599	882	717	685.5	496	384	112	100	120	323.9	70	85	377	434	130	247	70	550	452	330	272	195	220	80	140	33	305	150	140	0.23	0.25	1/4"	256	-276.6	74.0	74.8
GH-085°-045°/C6 HPB	1599	882	717	685.5	496	384	112	106	134	323.9	70	85	377	446	130	247	70	550	452	330	284	195	220	80	140	33	305	150	140	0.30	0.32	1/4"	257	-273.8	74.0	74.9
GH-085°-050°/C6 HPB	1599	882	717	685.5	496	384	112	106	134	323.9	70	85	377	446	130	247	70	550	452	330	284	195	220	80	140	33	305	150	140	0.37	0.39	1/4"	257	-273.0	74.0	74.9
GH-085°-060°/C6 HPB	1599	882	717	685.5	496	384	112	110	110	323.9	70	85	377	429	130	247	70	550	452	330	287	195	220	80	140	33	305	150	140	0.53	0.57	1/2"	261	-262.3	74.0	75.0
GH-085°-070°/C6 HPB	1604	882	722	685.5	496	384	117	135	135	323.9	70	85	377	446	130	247	70	550	452	330	285	195	220	80	140	33	305	150	140	0.72	0.77	1/2"	269	-242.6	74.0	75.3
GH-085°-080°/C6 HPB	1599	882	717	685.5	496	384	112	116	116	323.9	70	85	377	432	130	247	70	550	452	330	270	195	220	80	140	33	305	150	140	0.94	1.01	1/2"	265	-251.3	74.0	75.1
GH-085°-090°/C6 HPB	1608	882	726	685.5	496	388	117	130	115	323.9	70	85	377	436	130	247	70	550	452	330	275	195	220	80	140	33	305	150	140	1.19	1.27	1/2"	269	-241.1	74.0	75.3
GH-085°-100°/C6 HPB	1624	882	742	685.5	496	384	137	130	130	323.9	70	85	377	444	130	247	70	550	452	330	282	195	220	80	140	33	305	150	140	1.47	1.57	1/2"	269	-243.4	74.0	75.3
GH-085°-110°/C6 HPB	1653	882	771	685.5	496	413	137	160	145	323.9	70	85	377	451	130	247	70	550	452	330	290	195	220	80	140	33	305	150	140	1.78	1.90	1/2"	284	-209.3	74.0	75.8
GH-085°-125°/C6 HPB	1655	882	773	685.5	496	415	137	180	175	323.9	70	85	377	491	130	247	70	550	452	330	320	195	220	80	140	33	305	150	140	2.29	2.45	1/2"	286	-203.4	74.0	75.8
GH-085°-140°/C6 HPB	1660	882	778	685.5	496	420	137	220	170	323.9	70	85	377	499	130	247	70	550	452	330	337	195	220	80	140	33	305	150	140	2.88	3.08	1/2"	305	-165.7	74.0	76.4
GH-085°-160°/C6 HPB	1655	882	773	685.5	496	415	137	220	190	323.9	70	85	377	494	130	247	70	550	452	330	332	195	220	80	140	33	305	150	140	3.76	4.02	3/4"	311	-153.1	74.0	76.6
GH-085°-180°/C6 HPB	1727	882	845	685.5	496	466	158	220	240	323.9	70	85	377	519	130	247	70	550	452	330	357	195	220	80	140	33	305	160	140	4.76	5.09	3/4"	332	-116.6	74.0	77.1
GH-085°-200°/C6 HPB	1706	882	824	685.5	496	466	137	240	240	323.9	70	85	377	519	130	247	70	550	452	330	357	195	220	80	140	33	305	160	140	5.87	6.28	3/4"	342	-96.2	74.0	77.3
GH-085°-040°/C7 HPB	1703	986	717	790	576	384	112	100	120	406.4	70	85	418	475	130	288	70	550	493	330	272	195	220	80	140	33	305	150	140	0.23	0.25	1/4"	316	-359.4	74.0	76.7
GH-085°-045°/C7 HPB	1703	986	717	790	576	384	112	106	134	406.4	70	85	418	487	130	288	70	550	493	330	284	195	220	80	140	33	305	150	140	0.30	0.32	1/4"	317	-356.8	74.0	76.7
GH-085°-050°/C7 HPB	1703	986	717	790	576	384	112	106	134	406.4	70	85	418	487	130	288	70	550	493	330	284	195	220	80	140	33	305	150	140	0.37	0.39	1/4"	317	-356.2	74.0	76.7
GH-085°-060°/C7 HPB	1703	986	717	790	576	384	112	110	110	406.4	70	85	418	470	130	288	70	550	493	330	267	195	220	80	140	33	305	150	140	0.53	0.57	1/2"	321	-346.4	74.0	76.8
GH-085°-070°/C7 HPB	1708	986	722	790	576	384	117	135	135	406.4	70	85	418	488	130	288	70	550	493	330	285	195	220	80	140	33	305	150	140	0.72	0.77	1/2"	329	-328.2	74.0	77.0
GH-085°-080°/C7 HPB	1708	986	717	790	576	384	112	116	116	406.4	70	85	418	473	130	288	70	550	493	330	270	195	220	80	140	33	305	150	140	0.94	1.01	1/2"	325	-336.4	74.0	76.9
GH-085°-090°/C7 HPB	1712	986	726	790	576	388	117	130	115	406.4	70	85	418	478	130	288	70	550	493	330	275	195	220	80	140	33	305	150	140	1.19	1.27	1/2"	329	-327.0	74.0	77.0
GH-085°-100°/C7 HPB	1728	986	742	790	576	384	137	130	130	406.4	70	85	418	485	130	288	70	550	493	330	282	195	220	80	140	33	305	150	140	1.47	1.57	1/2"	329	-328.9	74.0	77.0
GH-085°-110°/C7 HPB	1757	986	771	790	576	413	137	160	145	406.4	70	85	418	493	130	288	70	550	493	330	290	195	220	80	140	33	305	150	140	1.78	1.90	1/2"	344	-296.9	74.0	77.3
GH-085°-125°/C7 HPB	1759	986	773	790	576	415	137	180	175	406.4	70	85	418	533	130	288	70	550	493	330	320	195	220	80	140	33	305	150	140	2.29	2.45	1/2"	346	-291.6	74.0	77.4
GH-085°-140°/C7 HPB	1764	986	778	790	576	420	137	220	170	406.4	70	85	418	530	130	288	70	550	493	330	327	195	220	80	140	33	305	150	140	2.88	3.08	1/2"	365	-255.4	74.0	77.8
GH-085°-160°/C7 HPB	1759	986	773	790	576	415	137	220	190	406.4	70	85	418	535	130	288	70	550	493	330	332	195	220	80	140	33	305	150	140	3.76	4.02	3/4"	371	-243.4	74.0	77.9
GH-085°-180°/C7 HPB	1831	986	845	790	576	466	158	220	240	406.4	70	85	418	560	130	288	70	550	493	330	357	195	220	80	140	33	305	160	140	4.76	5.09	3/4"	392	-207.6	74.0	78.3
GH-085°-200°/C7 HPB	1810	986	824	790	576	466	137	240	240	406.4	70	85	418	560	130	288	70	550	493	330	357	195	220	80	140	33	305	160	140	5.87	6.28	3/4"	402	-188.0	74.0	78.4
<b>GH 100 - CARTER CARBON STEEL - FLANGE TYPE ISO F25</b>																																				
GH-100°-060°/C1 HPB	2027	1097	930	871	662	527	147	120	120	406.4	70	100	463	505	160	303	84	583	506	350	302	225	255	93	140	33	353	170	167	0.62	0.67	1/2"	392	-357.3	86.7	91.5
GH-100°-070°/C1 HPB	2027	1097	930	871	662	527	147	135	135	406.4	70	100	463	513	160	303	84	583	506	350	310	225	255	93	140	33	353	170	167	0.85	0.90	1/2"	397	-346.5	86.7	91.6
GH-100°-080°/C1 HPB	2026	1097	929	871	662	526	147	140	140	406.4	70	100	463	515	160	303	84	583	506	350	312	225	255	93	140	33	353	170	167	1.11	1.18	1/2"	403	-333.9	86.7	91.7
GH-100°-090°/C1 HPB	2027	1097	930	871	662	527	147	140	140	406.4	70	100	463	515	160	303	84	583	506	350	312	225	255	93	140	33	353	170	167	1.40	1.49	1/2"	403	-333.5	86.7	91.7
GH-100°-100°/C1 HPB	2027	1097	930	871	662	527	147	160	150	406.4	70	100	463	520	160	303	84	583	506	350	317	225	255	93	140	33	353	170	167	1.73	1.84	1/2"	400	-339.3	86.7	91.6
GH-100°-110°/C1 HPB	2027	1097	930	871	662	527	147	160	145	406.4	70	100	463	518	160	303	84	583	506	350	315	225	255	93	140	33	353	170	167	2.09	2.23	1/2"	401	-336.6	86.7	91.6
GH-100°-115°/C1 HPB	2027	1097	930	871	662	527	147	160	160	406.4	70	100	463	525	160	303	84	583	506	350	322	225	255	93	140	33	353	170	167	2.28	2.44	1/2"	405	-328.6	86.7	91.7
GH-100°-125°/C1 HPB	2027	1097	930	871	662	527	147	185	165	406.4	70	100	463	528	160	303	84	583	506	350	325	225	255	93	140	33	353	170	167	2.70	2.88	1/2"	411	-316.1	86.7	91.8
GH-100°-140°/C1 HPB	2027	1097	930	871	662	527	147	220	170	406.4	70	100	463	530	160	303	84	583	506	350	327	225	255	93	140	33	353	170	167	3.39	3.62	1/2"	424	-290.9	86.7	92.1
GH-100°-160°/C1 HPB																																				

ACTUATOR MODEL	ACTUATOR OVERALL DIMENSIONS (mm)																			CARTER		SPOOL * (OPTIONAL)			CLEARANCE FOR DISASSEMBLY			DISPLACEMENT (LITRES)		X	weight	CENTER GRAVITY				
	A	B	C	B2	B3	C2	C4	Ev	E	F	F1	G	H	H1	K	L	N	P	P1	R	S	AL	AR	M1	M	Weight	ES	EC	ET	Simm.	Canted	(NPT)	(Kg)	XG	ZG	YG
	GH 130 - CARTER CAST IRON - FLANGE TYPE ISO F30																																			
GH-130°-060°/C1 HPB	2256	1275	981	1003	689	527	147	120	120	457.2	100	130	520	531	161.5	359	99	613	592	350	302	271	306	113	150	50	424	205	202	0.81	0.86	1/2"	537	-436.4	106.0	121.1
GH-130°-070°/C1 HPB	2256	1275	981	1003	689	527	147	135	135	457.2	100	130	520	538	161.5	359	99	613	592	350	310	271	306	113	150	50	424	205	202	1.10	1.17	1/2"	542	-428.1	106.0	121.2
GH-130°-080°/C1 HPB	2256	1275	980	1003	689	526	147	140	140	457.2	100	130	520	541	161.5	359	99	613	592	350	312	271	306	113	150	50	424	205	202	1.44	1.53	1/2"	548	-418.4	106.0	121.3
GH-130°-090°/C1 HPB	2256	1275	981	1003	689	527	147	140	140	457.2	100	130	520	541	161.5	359	99	613	592	350	312	271	306	113	150	50	424	205	202	1.82	1.94	1/2"	548	-418.2	106.0	121.3
GH-130°-100°/C1 HPB	2256	1275	981	1003	689	527	147	160	150	457.2	100	130	520	546	161.5	359	99	613	592	350	317	271	306	113	150	50	424	205	202	2.25	2.39	1/2"	545	-422.7	106.0	121.2
GH-130°-110°/C1 HPB	2256	1275	981	1003	689	527	147	160	145	457.2	100	130	520	543	161.5	359	99	613	592	350	315	271	306	113	150	50	424	205	202	2.72	2.90	1/2"	546	-420.7	106.0	121.3
GH-130°-115°/C1 HPB	2256	1275	981	1003	689	527	147	160	160	457.2	100	130	520	551	161.5	359	99	613	592	350	322	271	306	113	150	50	424	205	202	2.97	3.17	1/2"	550	-414.4	106.0	121.3
GH-130°-125°/C1 HPB	2256	1275	981	1003	689	527	147	185	165	457.2	100	130	520	553	161.5	359	99	613	592	350	325	271	306	113	150	50	424	205	202	3.51	3.74	1/2"	556	-404.7	106.0	121.4
GH-130°-140°/C1 HPB	2256	1275	981	1003	689	527	147	220	170	457.2	100	130	520	556	161.5	359	99	613	592	350	327	271	306	113	150	50	424	205	202	4.40	4.69	1/2"	569	-384.8	106.0	121.6
GH-130°-160°/C1 HPB	2322	1275	1047	1003	689	573	167	195	195	457.2	100	130	520	568	161.5	359	99	613	592	350	340	271	306	113	150	50	424	205	202	5.75	6.13	3/4"	570	-379.2	106.0	121.6
GH-130°-180°/C1 HPB	2385	1275	1110	1003	689	636	167	260	260	457.2	100	130	520	591	161.5	359	99	613	592	350	362	271	306	113	150	50	424	205	202	7.28	7.76	3/4"	648	-263.6	106.0	122.5
GH-130°-200°/C1 HPB	2345	1275	1070	1003	689	626	137	240	240	457.2	100	130	520	581	161.5	359	99	613	592	350	352	271	306	113	150	50	424	205	202	8.98	9.58	3/4"	632	-283.0	106.0	122.3
GH-130°-210°/C1 HPB	2375	1275	1100	1003	689	626	167	255	255	457.2	100	130	520	588	161.5	359	99	613	592	350	360	271	306	113	150	50	424	205	202	9.90	10.55	3/4"	652	-257.0	106.0	122.5
GH-130°-220°/C1 HPB	2398	1275	1123	1003	689	625	191	275	275	457.2	100	130	520	608	161.5	359	99	613	592	350	380	271	306	113	150	50	424	205	202	10.87	11.59	3/4"	688	-215.3	106.0	122.9
GH-130°-240°/C1 HPB	2398	1275	1123	1003	689	625	191	275	300	457.2	100	130	520	621	161.5	359	99	613	592	350	392	271	306	113	150	50	424	205	202	12.93	13.79	3/4"	693	-207.9	106.0	122.9
GH-130°-260°/C1 HPB	2398	1275	1123	1003	689	625	191	275	300	457.2	100	130	520	621	161.5	359	99	613	592	350	392	271	306	113	150	50	424	205	202	15.16	16.17	1"	713	-185.1	106.0	123.1
GH-130°-060°/C2 HPB	2256	1275	981	1003	689	527	147	120	120	457.2	100	130	520	531	161.5	359	99	613	592	350	302	271	306	113	150	50	424	205	202	0.81	0.86	1/2"	562	-449.5	106.0	121.5
GH-130°-070°/C2 HPB	2256	1275	981	1003	689	527	147	135	135	457.2	100	130	520	538	161.5	359	99	613	592	350	310	271	306	113	150	50	424	205	202	1.10	1.17	1/2"	567	-441.4	106.0	121.5
GH-130°-080°/C2 HPB	2256	1275	980	1003	689	526	147	140	140	457.2	100	130	520	541	161.5	359	99	613	592	350	312	271	306	113	150	50	424	205	202	1.44	1.53	1/2"	573	-432.0	106.0	121.6
GH-130°-090°/C2 HPB	2256	1275	981	1003	689	527	147	140	140	457.2	100	130	520	541	161.5	359	99	613	592	350	312	271	306	113	150	50	424	205	202	1.82	1.94	1/2"	573	-431.7	106.0	121.6
GH-130°-100°/C2 HPB	2256	1275	981	1003	689	527	147	160	150	457.2	100	130	520	546	161.5	359	99	613	592	350	317	271	306	113	150	50	424	205	202	2.25	2.39	1/2"	570	-436.1	106.0	121.6
GH-130°-110°/C2 HPB	2256	1275	981	1003	689	527	147	160	145	457.2	100	130	520	543	161.5	359	99	613	592	350	315	271	306	113	150	50	424	205	202	2.72	2.90	1/2"	571	-434.2	106.0	121.6
GH-130°-115°/C2 HPB	2256	1275	981	1003	689	527	147	160	160	457.2	100	130	520	551	161.5	359	99	613	592	350	322	271	306	113	150	50	424	205	202	2.97	3.17	1/2"	575	-428.1	106.0	121.6
GH-130°-125°/C2 HPB	2256	1275	981	1003	689	527	147	185	165	457.2	100	130	520	553	161.5	359	99	613	592	350	325	271	306	113	150	50	424	205	202	3.51	3.74	1/2"	581	-418.6	106.0	121.7
GH-130°-140°/C2 HPB	2256	1275	981	1003	689	527	147	220	170	457.2	100	130	520	556	161.5	359	99	613	592	350	327	271	306	113	150	50	424	205	202	4.40	4.69	1/2"	594	-399.2	106.0	121.9
GH-130°-160°/C2 HPB	2322	1275	1047	1003	689	573	167	195	195	457.2	100	130	520	568	161.5	359	99	613	592	350	340	271	306	113	150	50	424	205	202	5.75	6.13	3/4"	595	-393.7	106.0	121.9
GH-130°-180°/C2 HPB	2385	1275	1110	1003	689	636	167	260	260	457.2	100	130	520	591	161.5	359	99	613	592	350	362	271	306	113	150	50	424	205	202	7.28	7.76	3/4"	673	-280.5	106.0	122.7
GH-130°-200°/C2 HPB	2345	1275	1070	1003	689	626	137	240	240	457.2	100	130	520	581	161.5	359	99	613	592	350	352	271	306	113	150	50	424	205	202	8.98	9.58	3/4"	657	-299.6	106.0	122.6
GH-130°-210°/C2 HPB	2375	1275	1100	1003	689	626	167	255	255	457.2	100	130	520	588	161.5	359	99	613	592	350	360	271	306	113	150	50	424	205	202	9.90	10.55	3/4"	677	-274.1	106.0	122.8
GH-130°-220°/C2 HPB	2398	1275	1123	1003	689	625	191	275	275	457.2	100	130	520	608	161.5	359	99	613	592	350	380	271	306	113	150	50	424	205	202	10.87	11.59	3/4"	713	-232.9	106.0	123.1
GH-130°-240°/C2 HPB	2398	1275	1123	1003	689	625	191	275	300	457.2	100	130	520	621	161.5	359	99	613	592	350	392	271	306	113	150	50	424	205	202	12.93	13.79	3/4"	718	-225.6	106.0	123.1
GH-130°-260°/C2 HPB	2398	1275	1123	1003	689	625	191	275	300	457.2	100	130	520	621	161.5	359	99	613	592	350	392	271	306	113	150	50	424	205	202	15.16	16.17	1"	738	-203.0	106.0	123.3
GH-130°-060°/C3 HPB	2775	1794	981	1522	1023	527	147	120	120	406.4	100	130	494.7	505	161.5	333	99	613	566	350	302	271	306	113	150	50	424	205	202	0.81	0.86	1/2"	607	-644.4	106.0	122.0
GH-130°-070°/C3 HPB	2775	1794	981	1522	1023	527	147	135	135	406.4	100	130	494.7	513	161.5	333	99	613	566	350	310	271	306	113	150	50	424	205	202	1.10	1.17	1/2"	612	-635.5	106.0	122.1
GH-130°-080°/C3 HPB	2774	1794	980	1522	1023	526	147	140	140	406.4	100	130	494.7	515	161.5	333	99	613	566	350	312	271	306	113	150	50	424	205	202	1.44	1.53	1/2"	618	-625.0	106.0	122.2
GH-130°-090°/C3 HPB	2775	1794	981	1522	1023	527	147	140	140	406.4	100	130	494.7	515	161.5	333	99	613	566	350	312	271	306	113	150	50	424	205	202	1.82	1.94	1/2"	618	-624.7	106.0	122.2
GH-130°-100°/C3 HPB	2775	17																																		

ACTUATOR MODEL	ACTUATOR OVERALL DIMENSIONS (mm)																				CARTER		SPOOL * (OPTIONAL)			CLEARANCE FOR DISASSEMBLY			DISPLACEMENT (LITRES)		X	weight	CENTER GRAVITY																		
	A	B	C	B2	B3	C2	C4	Ev	E	F	F1	G	H	H1	K	L	N	P	P1	R	S	AL	AR	M1	M	Weight	ES	EC	ET	Simm.	Canted	(NPT)	(Kg)	XG	ZG	YG															
GH-130°-060°/C5 HPB	2262	1281	981	1009	760	527	147	120	120	508	100	130	546	566	161.5	384	99	613	617	350	302	271	306	113	150	50	424	205	202	0.81	0.86	1/2"	767	-529.9	106.0	123.5															
GH-130°-070°/C5 HPB	2262	1281	981	1009	760	527	147	135	135	508	100	130	546	564	161.5	384	99	613	617	350	310	271	306	113	150	50	424	205	202	1.10	1.17	1/2"	772	-523.3	106.0	123.6															
GH-130°-080°/C5 HPB	2261	1281	980	1009	760	526	147	140	140	508	100	130	546	566	161.5	384	99	613	617	350	312	271	306	113	150	50	424	205	202	1.44	1.53	1/2"	778	-515.5	106.0	123.6															
GH-130°-090°/C5 HPB	2262	1281	981	1009	760	527	147	140	140	508	100	130	546	566	161.5	384	99	613	617	350	312	271	306	113	150	50	424	205	202	1.82	1.94	1/2"	778	-515.3	106.0	123.6															
GH-130°-100°/C5 HPB	2262	1281	981	1009	760	527	147	160	150	508	100	130	546	571	161.5	384	99	613	617	350	317	271	306	113	150	50	424	205	202	2.25	2.39	1/2"	775	-519.0	106.0	123.6															
GH-130°-110°/C5 HPB	2262	1281	981	1009	760	527	147	160	145	508	100	130	546	569	161.5	384	99	613	617	350	315	271	306	113	150	50	424	205	202	2.72	2.90	1/2"	776	-517.4	106.0	123.6															
GH-130°-115°/C5 HPB	2262	1281	981	1009	760	527	147	160	160	508	100	130	546	576	161.5	384	99	613	617	350	322	271	306	113	150	50	424	205	202	2.97	3.17	1/2"	780	-512.3	106.0	123.6															
GH-130°-125°/C5 HPB	2262	1281	981	1009	760	527	147	185	165	508	100	130	546	579	161.5	384	99	613	617	350	325	271	306	113	150	50	424	205	202	3.51	3.74	1/2"	786	-504.5	106.0	123.7															
GH-130°-140°/C5 HPB	2262	1281	981	1009	760	527	147	220	170	508	100	130	546	581	161.5	384	99	613	617	350	327	271	306	113	150	50	424	205	202	4.40	4.69	1/2"	799	-488.3	106.0	123.8															
GH-130°-160°/C5 HPB	2328	1281	1047	1009	760	573	167	195	195	508	100	130	546	594	161.5	384	99	613	617	350	340	271	306	113	150	50	424	205	202	5.75	6.13	3/4"	800	-484.1	106.0	123.8															
GH-130°-180°/C5 HPB	2391	1281	1110	1009	760	636	167	260	260	508	100	130	546	616	161.5	384	99	613	617	350	362	271	306	113	150	50	424	205	202	7.28	7.76	3/4"	878	-387.7	106.0	124.0															
GH-130°-200°/C5 HPB	2351	1281	1070	1009	760	626	137	240	240	508	100	130	546	606	161.5	384	99	613	617	350	352	271	306	113	150	50	424	205	202	8.98	9.58	3/4"	862	-404.5	106.0	124.2															
GH-130°-210°/C5 HPB	2381	1281	1100	1009	760	626	167	255	255	508	100	130	546	614	161.5	384	99	613	617	350	360	271	306	113	150	50	424	205	202	9.90	10.55	3/4"	882	-382.2	106.0	124.3															
GH-130°-220°/C5 HPB	2404	1281	1123	1009	760	625	191	275	275	508	100	130	546	634	161.5	384	99	613	617	350	380	271	306	113	150	50	424	205	202	10.87	11.59	3/4"	918	-345.6	106.0	124.5															
GH-130°-240°/C5 HPB	2404	1281	1123	1009	760	625	191	275	300	508	100	130	546	646	161.5	384	99	613	617	350	392	271	306	113	150	50	424	205	202	12.93	13.79	3/4"	923	-339.2	106.0	124.5															
GH-130°-260°/C5 HPB	2404	1281	1123	1009	760	625	191	275	300	508	100	130	546	646	161.5	384	99	613	617	350	392	271	306	113	150	50	424	205	202	15.16	16.17	1"	943	-319.0	106.0	124.7															
GH-130°-060°/C6 HPB	2262	1281	981	1009	760	527	147	120	120	508	100	130	545.5	556	161.5	384	99	613	617	350	302	271	306	113	150	50	424	205	202	0.81	0.86	1/2"	822	-544.8	106.0	123.9															
GH-130°-070°/C6 HPB	2262	1281	981	1009	760	527	147	135	135	508	100	130	545.5	564	161.5	384	99	613	617	350	310	271	306	113	150	50	424	205	202	1.10	1.17	1/2"	827	-538.6	106.0	124.0															
GH-130°-080°/C6 HPB	2261	1281	980	1009	760	526	147	140	140	508	100	130	545.5	566	161.5	384	99	613	617	350	312	271	306	113	150	50	424	205	202	1.44	1.53	1/2"	833	-531.2	106.0	124.0															
GH-130°-090°/C6 HPB	2262	1281	981	1009	760	527	147	140	140	508	100	130	545.5	566	161.5	384	99	613	617	350	312	271	306	113	150	50	424	205	202	1.82	1.94	1/2"	833	-531.0	106.0	124.0															
GH-130°-100°/C6 HPB	2262	1281	981	1009	760	527	147	160	150	508	100	130	545.5	571	161.5	384	99	613	617	350	317	271	306	113	150	50	424	205	202	2.25	2.39	1/2"	830	-534.5	106.0	124.0															
GH-130°-110°/C6 HPB	2262	1281	981	1009	760	527	147	160	145	508	100	130	545.5	569	161.5	384	99	613	617	350	315	271	306	113	150	50	424	205	202	2.72	2.90	1/2"	831	-533.0	106.0	124.0															
GH-130°-115°/C6 HPB	2262	1281	981	1009	760	527	147	160	160	508	100	130	545.5	576	161.5	384	99	613	617	350	322	271	306	113	150	50	424	205	202	2.97	3.17	1/2"	835	-528.2	106.0	124.0															
GH-130°-125°/C6 HPB	2262	1281	981	1009	760	527	147	185	165	508	100	130	545.5	579	161.5	384	99	613	617	350	325	271	306	113	150	50	424	205	202	3.51	3.74	1/2"	841	-520.7	106.0	124.1															
GH-130°-140°/C6 HPB	2262	1281	981	1009	760	527	147	220	170	508	100	130	545.5	581	161.5	384	99	613	617	350	327	271	306	113	150	50	424	205	202	4.40	4.69	1/2"	854	-505.3	106.0	124.1															
GH-130°-160°/C6 HPB	2328	1281	1047	1009	760	573	167	195	195	508	100	130	545.5	594	161.5	384	99	613	617	350	340	271	306	113	150	50	424	205	202	5.75	6.13	3/4"	855	-501.2	106.0	124.1															
GH-130°-180°/C6 HPB	2391	1281	1110	1009	760	636	167	260	260	508	100	130	545.5	616	161.5	384	99	613	617	350	362	271	306	113	150	50	424	205	202	7.28	7.76	3/4"	833	-408.8	106.0	124.6															
GH-130°-200°/C6 HPB	2351	1281	1070	1009	760	626	137	240	240	508	100	130	545.5	606	161.5	384	99	613	617	350	352	271	306	113	150	50	424	205	202	8.98	9.58	3/4"	917	-424.9	106.0	124.5															
GH-130°-210°/C6 HPB	2381	1281	1100	1009	760	626	167	255	255	508	100	130	545.5	614	161.5	384	99	613	617	350	360	271	306	113	150	50	424	205	202	9.90	10.55	3/4"	937	-403.5	106.0	124.6															
GH-130°-220°/C6 HPB	2404	1281	1123	1009	760	625	191	275	275	508	100	130	545.5	634	161.5	384	99	613	617	350	380	271	306	113	150	50	424	205	202	10.87	11.59	3/4"	973	-368.0	106.0	124.8															
GH-130°-240°/C6 HPB	2404	1281	1123	1009	760	625	191	275	300	508	100	130	545.5	646	161.5	384	99	613	617	350	392	271	306	113	150	50	424	205	202	12.93	13.79	3/4"	978	-361.9	106.0	124.8															
GH-130°-260°/C6 HPB	2404	1281	1123	1009	760	625	191	275	300	508	100	130	545.5	646	161.5	384	99	613	617	350	392	271	306	113	150	50	424	205	202	15.16	16.17	1"	998	-342.2	106.0	124.9															
<b>GH 160 - CARTER CARBON STEEL - FLANGE TYPE ISO F35</b>																																																			
GH-160°-070°/C0 HPB	2562	1440	1122	1099	979	594	147	136	135	609.6	100	160	705	678	240	465	105	627	682	350	374	340	380	127	150	80	530	255	222	1.36	1.45	1/2"	881	-534.6	113.9	143.9															
GH-160°-080°/C0 HPB	2561	1440	1121	1099	979	593	147	140	140	609.6	100	160	705	602	240	465	105	627	682	350	297	340	380	127	150	80	530	255	222	1.77	1.89	1/2"	885	-529.0	113.9	144.0															
GH-160°-090°/C0 HPB	2592	1440	1152	1099	979	624	147	150	150	609.6	100	160	705	597	240	465	105	627	682	350	292	340	380	127	150	80	530	255	222	2.24	2.39	1/2"	897	-511.2	113.9	144.2															
GH-160°-100°/C0 HPB	2613	1440	1173	1099	979	625	167	180	160	609.6	100	160	705	602	240	465	105	627	682	350	297	340	380	127	150	80	530																								

**GH RANGE METRIC DIMENSION DATA**  
**- SINGLE ACTING - FAIL CLOSE - OGH000ADC REV.3**

ACTUATOR MODEL	ACTUATOR OVERALL DIMENSIONS (mm)																				CARTER		SPOOL * (OPTIONAL)			CLEARANCE FOR DISASSEMBLY			DISPLACEMENT (LITRES)		X	weight	CENTER GRAVITY																					
	A	B	C	B2	B3	C2	C4	Ev	E	F	F1	G	H	H1	K	L	N	P	P1	R	S	AL	AR	M1	M	Weight	ES	EC	ET	Simm.	Canted	(NPT)	(Kg)	XG	ZG	YG																		
GH-160°-070°/C2 HPB	3156	2034	1122	1693	1181	594	147	136	135	609.6	100	160	705	678	240	465	105	627	682	350	374	340	380	127	150	80	530	255	222	1.36	1.45	1/2"	1211	-856.4	113.9	148.3																		
GH-160°-080°/C2 HPB	3156	2034	1121	1693	1181	593	147	140	140	609.6	100	160	705	602	240	465	105	627	682	350	297	340	380	127	150	80	530	255	222	1.77	1.89	1/2"	1215	-851.3	113.9	148.3																		
GH-160°-090°/C2 HPB	3186	2034	1152	1693	1181	624	147	150	150	609.6	100	160	705	597	240	465	105	627	682	350	292	340	380	127	150	80	530	255	222	2.24	2.39	1/2"	1227	-835.1	113.9	148.4																		
GH-160°-100°/C2 HPB	3207	2034	1173	1693	1181	625	167	180	160	609.6	100	160	705	602	240	465	105	627	682	350	297	340	380	127	150	80	530	255	222	2.76	2.95	1/2"	1242	-816.5	113.9	148.6																		
GH-160°-110°/C2 HPB	3173	2034	1139	1693	1181	611	147	180	160	609.6	100	160	705	602	240	465	105	627	682	350	297	340	380	127	150	80	530	255	222	3.34	3.57	1/2"	1231	-830.0	113.9	148.5																		
GH-160°-115°/C2 HPB	3173	2034	1139	1693	1181	611	147	160	160	609.6	100	160	705	602	240	465	105	627	682	350	297	340	380	127	150	80	530	255	222	3.65	3.90	1/2"	1223	-839.8	113.9	148.4																		
GH-160°-125°/C2 HPB	3193	2034	1159	1693	1181	611	167	160	160	609.6	100	160	705	602	240	465	105	627	682	350	297	340	380	127	150	80	530	255	222	4.32	4.61	1/2"	1224	-838.3	113.9	148.4																		
GH-160°-140°/C2 HPB	3173	2034	1139	1693	1181	611	147	220	170	609.6	100	160	705	607	240	465	105	627	682	350	302	340	380	127	150	80	530	255	222	5.42	5.79	1/2"	1246	-810.9	113.9	148.6																		
GH-160°-160°/C2 HPB	3234	2034	1200	1693	1181	628	191	235	185	609.6	100	160	705	614	240	465	105	627	682	350	310	340	380	127	150	80	530	255	222	7.08	7.56	3/4"	1254	-798.5	113.9	148.7																		
GH-160°-180°/C2 HPB	3302	2034	1268	1693	1181	696	191	340	340	609.6	100	160	705	692	240	465	105	627	682	350	387	340	380	127	150	80	530	255	222	8.95	9.57	3/4"	1349	-686.4	113.9	149.5																		
GH-160°-200°/C2 HPB	3272	2034	1238	1693	1181	696	161	340	340	609.6	100	160	705	692	240	465	105	627	682	350	387	340	380	127	150	80	530	255	222	11.05	11.81	3/4"	1356	-678.1	113.9	149.5																		
GH-160°-210°/C2 HPB	3291	2034	1257	1693	1181	696	180	265	265	609.6	100	160	705	654	240	465	105	627	682	350	350	340	380	127	150	80	530	255	222	12.18	13.01	3/4"	1349	-684.6	113.9	149.5																		
GH-160°-220°/C2 HPB	3302	2034	1268	1693	1181	696	191	265	265	609.6	100	160	705	654	240	465	105	627	682	350	350	340	380	127	150	80	530	255	222	13.38	14.29	3/4"	1334	-699.9	113.9	149.4																		
GH-160°-230°/C2 HPB	3299	2034	1265	1693	1181	693	191	370	370	609.6	100	160	705	707	240	465	105	627	682	350	402	340	380	127	150	80	530	255	222	14.62	15.61	3/4"	1401	-631.6	113.9	149.9																		
GH-160°-240°/C2 HPB	3299	2034	1265	1693	1181	693	191	370	370	609.6	100	160	705	707	240	465	105	627	682	350	402	340	380	127	150	80	530	255	222	15.92	17.00	3/4"	1431	-602.4	113.9	150.1																		
GH-160°-260°/C2 HPB	3301	2034	1267	1693	1181	693	193	420	420	609.6	100	160	705	732	240	465	105	627	682	350	427	340	380	127	150	80	530	255	222	18.66	19.93	1"	1461	-573.8	113.9	150.3																		
GH-160°-070°/C3 HPB	2986	1864	1122	1523	1097	594	147	136	135	609.6	100	160	705	678	240	465	105	627	682	350	374	340	380	127	150	80	530	255	222	1.36	1.45	1/2"	1174	-782.2	113.9	147.9																		
GH-160°-080°/C3 HPB	2985	1864	1121	1523	1097	593	147	140	140	609.6	100	160	705	602	240	465	105	627	682	350	297	340	380	127	150	80	530	255	222	1.77	1.89	1/2"	1178	-777.2	113.9	148.0																		
GH-160°-090°/C3 HPB	3016	1864	1152	1523	1097	624	147	150	150	609.6	100	160	705	597	240	465	105	627	682	350	292	340	380	127	150	80	530	255	222	2.24	2.39	1/2"	1190	-761.2	113.9	148.1																		
GH-160°-100°/C3 HPB	3037	1864	1173	1523	1097	625	167	180	160	609.6	100	160	705	602	240	465	105	627	682	350	297	340	380	127	150	80	530	255	222	2.76	2.95	1/2"	1205	-743.0	113.9	148.2																		
GH-160°-110°/C3 HPB	3003	1864	1139	1523	1097	611	147	180	160	609.6	100	160	705	602	240	465	105	627	682	350	297	340	380	127	150	80	530	255	222	3.34	3.57	1/2"	1194	-756.2	113.9	148.1																		
GH-160°-115°/C3 HPB	3003	1864	1139	1523	1097	611	147	160	160	609.6	100	160	705	602	240	465	105	627	682	350	297	340	380	127	150	80	530	255	222	3.65	3.90	1/2"	1186	-765.8	113.9	148.0																		
GH-160°-125°/C3 HPB	3023	1864	1159	1523	1097	611	167	160	160	609.6	100	160	705	602	240	465	105	627	682	350	297	340	380	127	150	80	530	255	222	4.32	4.61	1/2"	1187	-764.3	113.9	148.0																		
GH-160°-140°/C3 HPB	3003	1864	1139	1523	1097	611	147	220	170	609.6	100	160	705	607	240	465	105	627	682	350	302	340	380	127	150	80	530	255	222	5.42	5.79	1/2"	1209	-737.5	113.9	148.3																		
GH-160°-160°/C3 HPB	3064	1864	1200	1523	1097	628	191	235	185	609.6	100	160	705	614	240	465	105	627	682	350	310	340	380	127	150	80	530	255	222	7.08	7.56	3/4"	1217	-725.2	113.9	148.3																		
GH-160°-180°/C3 HPB	3132	1864	1268	1523	1097	696	191	340	340	609.6	100	160	705	692	240	465	105	627	682	350	387	340	380	127	150	80	530	255	222	8.95	9.57	3/4"	1312	-615.2	113.9	149.2																		
GH-160°-200°/C3 HPB	3102	1864	1238	1523	1097	696	161	340	340	609.6	100	160	705	692	240	465	105	627	682	350	387	340	380	127	150	80	530	255	222	11.05	11.81	3/4"	1319	-607.1	113.9	149.2																		
GH-160°-210°/C3 HPB	3121	1864	1257	1523	1097	696	180	265	265	609.6	100	160	705	654	240	465	105	627	682	350	350	340	380	127	150	80	530	255	222	12.18	13.01	3/4"	1312	-613.4	113.9	149.2																		
GH-160°-220°/C3 HPB	3132	1864	1268	1523	1097	696	191	265	265	609.6	100	160	705	654	240	465	105	627	682	350	350	340	380	127	150	80	530	255	222	13.38	14.29	3/4"	1297	-628.3	113.9	149.1																		
GH-160°-230°/C3 HPB	3129	1864	1265	1523	1097	693	191	370	370	609.6	100	160	705	707	240	465	105	627	682	350	402	340	380	127	150	80	530	255	222	14.62	15.61	3/4"	1364	-561.7	113.9	149.6																		
GH-160°-240°/C3 HPB	3129	1864	1265	1523	1097	693	191	370	370	609.6	100	160	705	707	240	465	105	627	682	350	402	340	380	127	150	80	530	255	222	15.92	17.00	3/4"	1394	-533.3	113.9	149.8																		
GH-160°-260°/C3 HPB	3131	1864	1267	1523	1097	693	193	420	420	609.6	100	160	705	732	240	465	105	627	682	350	427	340	380	127	150	80	530	255	222	18.66	19.93	1"	1424	-505.3	113.9	150.0																		
GH-160°-070°/C4 HPB	2986	1864	1122	1523	1097	594	147	136	135	609.6	100	160	705	678	240	465	105	627	682	350	374	340	380	127	150	80	530	255	222	1.36	1.45	1/2"	1346	-823.0	113.9	149.5																		
GH-160°-080°/C4 HPB	2985	1864	1121	1523	1097	593	147	140	140	609.6	100	160	705	602	240	465	105	627	682	350	297	340	380	127	150	80	530	255	222	1.77	1.89	1/2"	1350	-818.4	113.9	149.5																		
GH-160°-090°/C4 HPB	3016	1864	1152	1523	1097	624	147	150	150	609.6	100	160	705	597	240	465	105	627	682	350	292	340	380	127	150	80	530	255	222	2.24	2.39	1/2"	1362	-804.1	113.9	149.6																		
GH-160°-100°/C4 HPB	3037	1864	1173	1523	1097	625	167	180	160	609.6	100	160	705	602	240	465	105	627																																				

**GH RANGE METRIC DIMENSION DATA**  
**- SINGLE ACTING - FAIL CLOSE - OGH000ADC REV.3**

ACTUATOR MODEL	ACTUATOR OVERALL DIMENSIONS (mm)																			CARTER		SPOOL * (OPTIONAL)			CLEARANCE FOR DISASSEMBLY			DISPLACEMENT (LITRES)		X	weight	CENTER GRAVITY				
	A	B	C	B2	B3	C2	C4	Ev	E	F	F1	G	H	H1	K	L	N	P	P1	R	S	AL	AR	M1	M	Weight	ES	EC	ET	Simm.	Canted	(NPT)	(Kg)	XG	ZG	YG
GH-161*-070*/C1 HPB	2919	1797	1122	1455.5	1059	594	147	136	135	406.4	100	160	603	577	240	363	127	650	603	350	374	340	380	150	150	80	530	255	267	1.36	1.45	1/2"	801	-505.1	136.3	135.8
GH-161*-080*/C1 HPB	2918	1797	1121	1455.5	1059	593	147	140	140	406.4	100	160	603	500	240	363	127	650	603	350	297	340	380	150	150	80	530	255	267	1.77	1.89	1/2"	805	-499.1	136.3	136.0
GH-161*-090*/C1 HPB	2949	1797	1152	1455.5	1059	624	147	150	150	406.4	100	160	603	495	240	363	127	650	603	350	292	340	380	150	150	80	530	255	267	2.24	2.39	1/2"	817	-479.9	136.3	136.3
GH-161*-100*/C1 HPB	2970	1797	1173	1455.5	1059	625	167	180	160	406.4	100	160	603	500	240	363	127	650	603	350	297	340	380	150	150	80	530	255	267	2.76	2.95	1/2"	832	-458.6	136.3	136.7
GH-161*-110*/C1 HPB	2936	1797	1139	1455.5	1059	611	147	180	160	406.4	100	160	603	500	240	363	127	650	603	350	297	340	380	150	150	80	530	255	267	3.34	3.57	1/2"	821	-474.1	136.3	136.4
GH-161*-115*/C1 HPB	2936	1797	1139	1455.5	1059	611	147	160	160	406.4	100	160	603	500	240	363	127	650	603	350	297	340	380	150	150	80	530	255	267	3.65	3.90	1/2"	813	-485.3	136.3	136.2
GH-161*-125*/C1 HPB	2956	1797	1159	1455.5	1059	611	167	160	160	406.4	100	160	603	500	240	363	127	650	603	350	297	340	380	150	150	80	530	255	267	4.32	4.61	1/2"	814	-483.5	136.3	136.2
GH-161*-140*/C1 HPB	2936	1797	1139	1455.5	1059	611	147	220	170	406.4	100	160	603	505	240	363	127	650	603	350	302	340	380	150	150	80	530	255	267	5.42	5.79	1/2"	836	-452.0	136.3	136.9
GH-161*-160*/C1 HPB	2997	1797	1200	1455.5	1059	628	191	235	185	406.4	100	160	603	513	240	363	127	650	603	350	310	340	380	150	150	80	530	255	267	7.08	7.56	3/4"	844	-437.4	136.3	137.1
GH-161*-180*/C1 HPB	3065	1797	1268	1455.5	1059	696	191	340	340	406.4	100	160	603	590	240	363	127	650	603	350	387	340	380	150	150	80	530	255	267	8.95	9.57	3/4"	939	-312.9	136.3	139.4
GH-161*-200*/C1 HPB	3065	1797	1238	1455.5	1059	696	161	340	340	406.4	100	160	603	590	240	363	127	650	603	350	387	340	380	150	150	80	530	255	267	11.05	11.81	3/4"	946	-303.8	136.3	139.5
GH-161*-210*/C1 HPB	3054	1797	1257	1455.5	1059	696	180	265	265	406.4	100	160	603	553	240	363	127	650	603	350	350	340	380	150	150	80	530	255	267	12.18	13.01	3/4"	939	-310.3	136.3	139.4
GH-161*-220*/C1 HPB	3065	1797	1268	1455.5	1059	696	191	265	265	406.4	100	160	603	553	240	363	127	650	603	350	350	340	380	150	150	80	530	255	267	13.38	14.29	3/4"	924	-326.4	136.3	139.1
GH-161*-230*/C1 HPB	3062	1797	1265	1455.5	1059	693	191	370	370	406.4	100	160	603	605	240	363	127	650	603	350	402	340	380	150	150	80	530	255	267	14.62	15.61	3/4"	991	-255.0	136.3	140.5
GH-161*-240*/C1 HPB	3065	1797	1268	1455.5	1059	696	191	265	265	406.4	100	160	603	553	240	363	127	650	603	350	350	340	380	150	150	80	530	255	267	15.92	17.00	3/4"	1021	-225.3	136.3	141.0
GH-161*-260*/C1 HPB	3064	1797	1267	1455.5	1059	693	193	420	420	406.4	100	160	603	630	240	363	127	650	603	350	427	340	380	150	150	80	530	255	267	18.66	19.93	1"	1051	-196.2	136.3	141.6
GH-161*-070*/C2 HPB	3156	2034	1122	1693	1181	594	147	136	135	609.6	100	160	705	678	240	465	127	650	705	350	374	340	380	150	150	80	530	255	267	1.36	1.45	1/2"	1291	-802.8	136.3	145.0
GH-161*-080*/C2 HPB	3155	2034	1121	1693	1181	593	147	140	140	609.6	100	160	705	602	240	465	127	650	705	350	297	340	380	150	150	80	530	255	267	1.77	1.89	1/2"	1295	-798.2	136.3	145.1
GH-161*-090*/C2 HPB	3186	2034	1152	1693	1181	624	147	150	150	609.6	100	160	705	597	240	465	127	650	705	350	292	340	380	150	150	80	530	255	267	2.24	2.39	1/2"	1307	-783.4	136.3	145.2
GH-161*-100*/C2 HPB	3207	2034	1173	1693	1181	625	167	180	160	609.6	100	160	705	602	240	465	127	650	705	350	297	340	380	150	150	80	530	255	267	2.76	2.95	1/2"	1322	-766.6	136.3	145.4
GH-161*-110*/C2 HPB	3173	2034	1139	1693	1181	611	147	180	160	609.6	100	160	705	602	240	465	127	650	705	350	297	340	380	150	150	80	530	255	267	3.34	3.57	1/2"	1311	-778.8	136.3	145.2
GH-161*-115*/C2 HPB	3173	2034	1139	1693	1181	611	147	160	160	609.6	100	160	705	602	240	465	127	650	705	350	297	340	380	150	150	80	530	255	267	3.65	3.90	1/2"	1303	-787.7	136.3	145.1
GH-161*-125*/C2 HPB	3193	2034	1159	1693	1181	611	167	160	160	609.6	100	160	705	602	240	465	127	650	705	350	297	340	380	150	150	80	530	255	267	4.32	4.61	1/2"	1304	-786.3	136.3	145.2
GH-161*-140*/C2 HPB	3173	2034	1139	1693	1181	611	147	220	170	609.6	100	160	705	607	240	465	127	650	705	350	302	340	380	150	150	80	530	255	267	5.42	5.79	1/2"	1326	-761.5	136.3	145.4
GH-161*-160*/C2 HPB	3234	2034	1200	1693	1181	628	191	235	185	609.6	100	160	705	614	240	465	127	650	705	350	310	340	380	150	150	80	530	255	267	7.08	7.56	3/4"	1334	-750.1	136.3	145.5
GH-161*-180*/C2 HPB	3302	2034	1268	1693	1181	696	191	340	340	609.6	100	160	705	692	240	465	127	650	705	350	387	340	380	150	150	80	530	255	267	8.95	9.57	3/4"	1429	-647.5	136.3	146.5
GH-161*-200*/C2 HPB	3272	2034	1238	1693	1181	696	161	340	340	609.6	100	160	705	692	240	465	127	650	705	350	387	340	380	150	150	80	530	255	267	11.05	11.81	3/4"	1436	-639.8	136.3	146.5
GH-161*-210*/C2 HPB	3291	2034	1257	1693	1181	696	180	265	265	609.6	100	160	705	654	240	465	127	650	705	350	350	340	380	150	150	80	530	255	267	12.18	13.01	3/4"	1429	-645.8	136.3	146.5
GH-161*-220*/C2 HPB	3302	2034	1268	1693	1181	696	191	265	265	609.6	100	160	705	654	240	465	127	650	705	350	350	340	380	150	150	80	530	255	267	13.38	14.29	3/4"	1414	-659.8	136.3	146.3
GH-161*-230*/C2 HPB	3299	2034	1265	1693	1181	693	191	370	370	609.6	100	160	705	707	240	465	127	650	705	350	402	340	380	150	150	80	530	255	267	14.62	15.61	3/4"	1481	-597.0	136.3	146.9
GH-161*-240*/C2 HPB	3302	2034	1268	1693	1181	696	191	265	265	609.6	100	160	705	654	240	465	127	650	705	350	350	340	380	150	150	80	530	255	267	15.92	17.00	3/4"	1451	-570.1	136.3	147.2
GH-161*-260*/C2 HPB	3301	2034	1267	1693	1181	693	193	420	420	609.6	100	160	705	732	240	465	127	650	705	350	427	340	380	150	150	80	530	255	267	18.66	19.93	1"	1541	-543.5	136.3	147.4
GH-161*-070*/C3 HPB	2986	1864	1122	1523	1097	594	147	136	135	609.6	100	160	705	678	240	465	127	650	705	350	374	340	380	150	150	80	530	255	267	1.36	1.45	1/2"	1254	-731.8	136.3	144.6
GH-161*-080*/C3 HPB	2985	1864	1121	1523	1097	593	147	140	140	609.6	100	160	705	602	240	465	127	650	705	350	297	340	380	150	150	80	530	255	267	1.77	1.89	1/2"	1258	-727.2	136.3	144.6
GH-161*-090*/C3 HPB	3016	1864	1152	1523	1097	624	147	150	150	609.6	100	160	705	597	240	465	127	650	705	350	292	340	380	150	150	80	530	255	267	2.24	2.39	1/2"	1270	-712.7	136.3	144.8
GH-161*-100*/C3 HPB	3037	1864	1173	1523	1097	625	167	180	160	609.6	100	160	705	602	240	465	127	650	705	350	297	340	380	150	150	80	530	255	267	2.76	2.95	1/2"	1285	-696.2	136.3	144.9
GH-161*-110*/C3 HPB	3003	1864	1139	1																																



**GH RANGE METRIC DIMENSION DATA  
- SINGLE ACTING - FAIL CLOSE - OGH000ADC REV.3**

ACTUATOR MODEL	ACTUATOR OVERALL DIMENSIONS (mm)																				CARTER		SPOOL * (OPTIONAL)			CLEARANCE FOR DISASSEMBLY			DISPLACEMENT (LITRES)		X	weight	CENTER GRAVITY																		
	A	B	C	B2	B3	C2	C4	Ev	E	F	F1	G	H	H1	K	L	N	P	P1	R	S	AL	AR	M1	M	Weight	ES	EC	ET	Simm.	Canted	(NPT)	(Kg)	XG	ZG	YG															
GH-200*-260*/C1 HPB	3499	1943	1556	1517	1165	808	272	420	420	609.6	100	200	785	757	280	505	128	738	758	385	452	425	475	153	200	165	663	320	271	23.32	24.91	1"	1822	-475.0	137.9	180.9															
GH-200*-280*/C1 HPB	3499	1943	1556	1517	1165	808	272	430	430	609.6	100	200	785	762	280	505	128	738	758	385	457	425	475	153	200	165	663	320	271	27.08	28.93	1"	1877	-434.3	137.9	181.4															
GH-200*-300*/C1 HPB	3459	1943	1516	1517	1165	808	232	420	420	609.6	100	200	785	757	280	505	128	738	758	385	452	425	475	153	200	165	663	320	271	31.09	33.21	3/4"	1842	-457.7	137.9	181.1															
GH-200*-320*/C1 HPB	3424	1943	1481	1517	1165	808	197	470	470	609.6	100	200	785	782	280	505	128	738	758	385	477	425	475	153	200	165	663	320	271	35.37	37.78	3/4"	1917	-404.1	137.9	181.8															
GH-200*-340*/C1 HPB	3417	1943	1474	1517	1165	801	197	500	500	609.6	100	200	785	797	280	505	128	738	758	385	492	425	475	153	200	165	663	320	271	39.91	42.63	1"	1922	-400.2	137.9	181.9															
GH-200*-360*/C1 HPB	3417	1943	1474	1517	1165	801	197	500	500	609.6	100	200	785	797	280	505	128	738	758	385	492	425	475	153	200	165	663	320	271	44.76	47.81	1"	2032	-329.8	137.9	182.9															
GH-200*-380*/C1 HPB	3417	1943	1474	1517	1165	801	197	500	500	609.6	100	200	785	797	280	505	128	738	758	385	492	425	475	153	200	165	663	320	271	49.96	53.37	1"	2042	-322.3	137.9	182.9															
GH-200*-090*/C2 HPB	3362	1943	1419	1517	1165	731	212	150	150	609.6	100	200	785	717	280	505	128	703	758	350	412	425	475	153	200	165	663	320	271	2.80	2.99	1/2"	1612	-729.5	137.9	178.4															
GH-200*-100*/C2 HPB	3385	1943	1442	1517	1165	752	214	190	190	609.6	100	200	785	652	280	505	128	703	758	350	347	425	475	153	200	165	663	320	271	3.45	3.69	1/2"	1642	-699.9	137.9	178.8															
GH-200*-110*/C2 HPB	3383	1943	1440	1517	1165	752	212	190	190	609.6	100	200	785	652	280	505	128	703	758	350	347	425	475	153	200	165	663	320	271	4.18	4.47	1/2"	1634	-707.2	137.9	178.7															
GH-200*-125*/C2 HPB	3385	1943	1442	1517	1165	768	198	210	210	609.6	100	200	785	662	280	505	128	703	758	350	357	425	475	153	200	165	663	320	271	5.40	5.77	1/2"	1669	-672.7	137.9	179.1															
GH-200*-140*/C2 HPB	3385	1943	1442	1517	1165	768	198	260	290	609.6	100	200	785	702	280	505	128	738	758	385	397	425	475	153	200	165	663	320	271	6.77	7.23	1/2"	1725	-622.5	137.9	179.8															
GH-200*-160*/C2 HPB	3430	1943	1487	1517	1165	813	198	340	340	609.6	100	200	785	727	280	505	128	738	758	385	422	425	475	153	200	165	663	320	271	8.84	9.45	3/4"	1775	-577.1	137.9	180.4															
GH-200*-170*/C2 HPB	3425	1943	1482	1517	1165	808	198	340	340	609.6	100	200	785	717	280	505	128	738	758	385	412	425	475	153	200	165	663	320	271	11.19	11.96	3/4"	1760	-589.5	137.9	180.2															
GH-200*-180*/C2 HPB	3425	1943	1482	1517	1165	808	198	340	340	609.6	100	200	785	717	280	505	128	738	758	385	412	425	475	153	200	165	663	320	271	13.82	14.76	3/4"	1760	-589.0	137.9	180.2															
GH-200*-200*/C2 HPB	3501	1943	1558	1517	1165	850	232	270	240	609.6	100	200	785	677	280	505	128	738	758	385	372	425	475	153	200	165	663	320	271	15.22	16.26	3/4"	1760	-582.9	137.9	180.2															
GH-200*-210*/C2 HPB	3459	1943	1516	1517	1165	808	232	365	365	609.6	100	200	785	729	280	505	128	738	758	385	425	425	475	153	200	165	663	320	271	16.72	17.86	3/4"	1830	-531.5	137.9	181.0															
GH-200*-220*/C2 HPB	3424	1943	1481	1517	1165	808	197	340	340	609.6	100	200	785	717	280	505	128	738	758	385	412	425	475	153	200	165	663	320	271	18.27	19.51	3/4"	1780	-570.6	137.9	180.4															
GH-200*-230*/C2 HPB	3424	1943	1481	1517	1165	808	197	370	370	609.6	100	200	785	732	280	505	128	738	758	385	427	425	475	153	200	165	663	320	271	19.90	21.25	3/4"	1805	-550.1	137.9	180.7															
GH-200*-240*/C2 HPB	3486	1943	1543	1517	1165	835	232	420	420	609.6	100	200	785	757	280	505	128	738	758	385	452	425	475	153	200	165	663	320	271	23.32	24.91	3/4"	1935	-452.6	137.9	182.0															
GH-200*-250*/C2 HPB	3499	1943	1556	1517	1165	808	272	420	420	609.6	100	200	785	757	280	505	128	738	758	385	452	425	475	153	200	165	663	320	271	21.56	23.03	1"	1830	-529.3	137.9	181.0															
GH-200*-260*/C2 HPB	3499	1943	1556	1517	1165	808	272	420	420	609.6	100	200	785	757	280	505	128	738	758	385	452	425	475	153	200	165	663	320	271	23.32	24.91	1"	1875	-494.9	137.9	181.4															
GH-200*-280*/C2 HPB	3499	1943	1556	1517	1165	808	272	430	430	609.6	100	200	785	762	280	505	128	738	758	385	457	425	475	153	200	165	663	320	271	27.08	28.93	1"	1930	-454.8	137.9	182.0															
GH-200*-300*/C2 HPB	3459	1943	1516	1517	1165	808	232	420	420	609.6	100	200	785	757	280	505	128	738	758	385	452	425	475	153	200	165	663	320	271	31.09	33.21	3/4"	1895	-477.9	137.9	181.6															
GH-200*-320*/C2 HPB	3424	1943	1481	1517	1165	808	197	470	470	609.6	100	200	785	782	280	505	128	738	758	385	477	425	475	153	200	165	663	320	271	35.37	37.78	3/4"	1970	-425.0	137.9	182.3															
GH-200*-340*/C2 HPB	3417	1943	1474	1517	1165	801	197	500	500	609.6	100	200	785	797	280	505	128	738	758	385	492	425	475	153	200	165	663	320	271	39.91	42.63	1"	1975	-421.2	137.9	182.4															
GH-200*-360*/C2 HPB	3417	1943	1474	1517	1165	801	197	500	500	609.6	100	200	785	797	280	505	128	738	758	385	492	425	475	153	200	165	663	320	271	44.76	47.81	1"	2085	-351.4	137.9	183.3															
GH-200*-380*/C2 HPB	3417	1943	1474	1517	1165	801	197	500	500	609.6	100	200	785	797	280	505	128	738	758	385	492	425	475	153	200	165	663	320	271	49.96	53.37	1"	2095	-344.1	137.9	183.4															

**GH RANGE METRIC DIMENSION DATA**  
**- SINGLE ACTING - FAIL CLOSE - OGH000ADC REV.3**

ACTUATOR MODEL	ACTUATOR OVERALL DIMENSIONS (mm)																			CARTER		SPOOL * (OPTIONAL)			CLEARANCE FOR DISASSEMBLY			DISPLACEMENT (LITRES)		X	weight	CENTER GRAVITY				
	A	B	C	B2	B3	C2	C4	Ev	E	F	F1	G	H	H1	K	L	N	P	P1	R	S	AL	AR	M1	M	Weight	ES	EC	ET	Simm.	Canted	(NPT)	(Kg)	XG	ZG	YG
	GH 201 - CARTER CARBON STEEL - FLANGE TYPE ISO F40																																			
GH-201*-090/C3 HPB	3958	2539	1419	2113	1463	731	212	150	609.6	100	200	785	717	280	505	149	713	768	350	412	425	475	163	200	165	663	320	302	2.80	2.99	1/2"	2243	-970.8	147.8	181.9	
GH-201*-100/C3 HPB	3981	2539	1442	2113	1463	752	214	190	609.6	100	200	785	652	280	505	149	713	768	350	347	425	475	163	200	165	663	320	302	3.45	3.69	1/2"	2273	-946.2	147.8	182.2	
GH-201*-110/C3 HPB	3979	2539	1440	2113	1463	752	212	190	609.6	100	200	785	652	280	505	149	713	768	350	347	425	475	163	200	165	663	320	302	4.18	4.47	1/2"	2265	-952.4	147.8	182.1	
GH-201*-125/C3 HPB	3981	2539	1442	2113	1463	768	198	210	609.6	100	200	785	662	280	505	149	713	768	350	357	425	475	163	200	165	663	320	302	5.00	5.77	1/2"	2300	-923.5	147.8	182.4	
GH-201*-140/C3 HPB	3981	2539	1442	2113	1463	768	198	260	609.6	100	200	785	702	280	505	149	748	768	385	397	425	475	163	200	165	663	320	302	6.77	7.23	1/2"	2356	-880.9	147.8	182.8	
GH-201*-160/C3 HPB	4026	2539	1487	2113	1463	813	198	340	609.6	100	200	785	727	280	505	149	748	768	385	422	425	475	163	200	165	663	320	302	8.84	9.45	3/4"	2406	-847.9	147.8	183.2	
GH-201*-180/C3 HPB	4021	2539	1482	2113	1463	808	198	340	609.6	100	200	785	717	280	505	149	748	768	385	412	425	475	163	200	165	663	320	302	11.19	11.96	3/4"	2391	-852.7	147.8	183.1	
GH-201*-200/C3 HPB	4021	2539	1482	2113	1463	808	198	340	609.6	100	200	785	717	280	505	149	748	768	385	412	425	475	163	200	165	663	320	302	13.82	14.76	3/4"	2391	-852.4	147.8	183.1	
GH-201*-200/C3 HPB	4097	2539	1558	2113	1463	850	232	270	240	609.6	100	200	785	677	280	505	149	748	768	385	472	425	475	163	200	165	663	320	302	15.22	16.26	3/4"	2391	-847.8	147.8	183.1
GH-201*-210/C3 HPB	4055	2539	1516	2113	1463	808	232	365	365	609.6	100	200	785	729	280	505	149	748	768	385	425	425	475	163	200	165	663	320	302	16.72	17.86	3/4"	2461	-802.1	147.8	183.5
GH-201*-220/C3 HPB	4020	2539	1481	2113	1463	808	197	340	609.6	100	200	785	717	280	505	149	748	768	385	412	425	475	163	200	165	663	320	302	18.27	19.51	3/4"	2411	-836.6	147.8	183.2	
GH-201*-230/C3 HPB	4020	2539	1481	2113	1463	808	197	370	609.6	100	200	785	732	280	505	149	748	768	385	427	425	475	163	200	165	663	320	302	19.90	21.25	3/4"	2436	-818.7	147.8	183.4	
GH-201*-240/C3 HPB	4082	2539	1543	2113	1463	835	232	420	609.6	100	200	785	757	280	505	149	748	768	385	452	425	475	163	200	165	663	320	302	23.32	24.91	3/4"	2566	-731.5	147.8	184.2	
GH-201*-250/C3 HPB	4095	2539	1556	2113	1463	808	272	420	609.6	100	200	785	757	280	505	149	748	768	385	452	425	475	163	200	165	663	320	302	21.56	23.03	1"	2461	-800.5	147.8	183.5	
GH-201*-260/C3 HPB	4095	2539	1556	2113	1463	808	272	420	609.6	100	200	785	757	280	505	149	748	768	385	452	425	475	163	200	165	663	320	302	23.32	24.91	1"	2506	-769.9	147.8	183.8	
GH-201*-280/C3 HPB	4095	2539	1556	2113	1463	808	272	430	609.6	100	200	785	762	280	505	149	748	768	385	457	425	475	163	200	165	663	320	302	27.08	28.93	1"	2561	-733.7	147.8	184.2	
GH-201*-300/C3 HPB	4055	2539	1516	2113	1463	808	232	420	609.6	100	200	785	757	280	505	149	748	768	385	452	425	475	163	200	165	663	320	302	31.09	33.21	3/4"	2526	-754.9	147.8	184.0	
GH-201*-320/C3 HPB	4020	2539	1481	2113	1463	808	197	470	609.6	100	200	785	782	280	505	149	748	768	385	477	425	475	163	200	165	663	320	302	35.37	37.78	3/4"	2601	-706.8	147.8	184.4	
GH-201*-340/C3 HPB	4013	2539	1474	2113	1463	801	197	500	609.6	100	200	785	797	280	505	149	748	768	385	492	425	475	163	200	165	663	320	302	39.91	42.63	1"	2606	-703.4	147.8	184.5	
GH-201*-360/C3 HPB	4013	2539	1474	2113	1463	801	197	500	609.6	100	200	785	797	280	505	149	748	768	385	492	425	475	163	200	165	663	320	302	44.76	47.81	1"	2716	-638.4	147.8	185.1	
GH-201*-380/C3 HPB	4013	2539	1474	2113	1463	801	197	500	609.6	100	200	785	797	280	505	149	748	768	385	492	425	475	163	200	165	663	320	302	49.96	53.37	1"	2726	-631.7	147.8	185.1	
GH-201*-090/C7 HPB	3986	2567	1419	2141	1477	731	212	150	609.6	100	200	785	717	280	505	149	713	768	350	412	425	475	163	200	165	663	320	302	2.80	2.99	1/2"	2260	-984.3	147.8	182.1	
GH-201*-100/C7 HPB	4009	2567	1442	2141	1477	752	214	190	609.6	100	200	785	652	280	505	149	713	768	350	347	425	475	163	200	165	663	320	302	3.45	3.69	1/2"	2290	-959.7	147.8	182.3	
GH-201*-110/C7 HPB	4007	2567	1440	2141	1477	752	212	190	609.6	100	200	785	652	280	505	149	713	768	350	347	425	475	163	200	165	663	320	302	4.18	4.47	1/2"	2282	-965.8	147.8	182.3	
GH-201*-125/C7 HPB	4009	2567	1442	2141	1477	768	198	210	609.6	100	200	785	662	280	505	149	713	768	350	357	425	475	163	200	165	663	320	302	5.40	5.77	1/2"	2317	-937.0	147.8	182.5	
GH-201*-140/C7 HPB	4009	2567	1442	2141	1477	768	198	260	609.6	100	200	785	702	280	505	149	748	768	385	397	425	475	163	200	165	663	320	302	6.77	7.23	1/2"	2373	-894.3	147.8	182.9	
GH-201*-160/C7 HPB	4054	2567	1487	2141	1477	813	198	340	609.6	100	200	785	727	280	505	149	748	768	385	422	425	475	163	200	165	663	320	302	8.84	9.45	3/4"	2423	-855.4	147.8	183.3	
GH-201*-170/C7 HPB	4049	2567	1482	2141	1477	808	198	340	609.6	100	200	785	717	280	505	149	748	768	385	412	425	475	163	200	165	663	320	302	11.19	11.96	3/4"	2408	-866.2	147.8	183.2	
GH-201*-180/C7 HPB	4049	2567	1482	2141	1477	808	198	340	609.6	100	200	785	717	280	505	149	748	768	385	412	425	475	163	200	165	663	320	302	13.82	14.76	3/4"	2408	-865.9	147.8	183.2	
GH-201*-200/C7 HPB	4125	2567	1558	2141	1477	850	232	270	240	609.6	100	200	785	677	280	505	149	748	768	385	472	425	475	163	200	165	663	320	302	15.22	16.26	3/4"	2408	-861.3	147.8	183.2
GH-201*-210/C7 HPB	4083	2567	1516	2141	1477	808	232	365	365	609.6	100	200	785	729	280	505	149	748	768	385	425	425	475	163	200	165	663	320	302	16.72	17.86	3/4"	2478	-815.5	147.8	183.7
GH-201*-220/C7 HPB	4048	2567	1481	2141	1477	808	197	340	609.6	100	200	785	717	280	505	149	748	768	385	412	425	475	163	200	165	663	320	302	18.27	19.51	3/4"	2428	-850.0	147.8	183.3	
GH-201*-230/C7 HPB	4048	2567	1481	2141	1477	808	197	370	609.6	100	200	785	732	280	505	149	748	768	385	427	425	475	163	200	165	663	320	302	19.90	21.25	3/4"	2453	-832.1	147.8	183.5	
GH-201*-240/C7 HPB	4110	2567	1543	2141	1477	835	232	420	609.6	100	200	785	757	280	505	149	748	768	385	452	425	475	163	200	165	663	320	302	23.32	24.91	3/4"	2583	-744.9	147.8	184.3	
GH-201*-260/C7 HPB	4123	2567	1556	2141	1477	808	272	420	609.6	100	200	785	757	280	505	149	748	768	385	452	425	475	163	200	165	663	320	302	21.56	23.03	1"	2478	-813.9	147.8	183.7	
GH-201*-280/C7 HPB	4123	2567	1556	2141	1477	808	272	420	609.6	100	200	785	757	280	505	149	748	768	385	452	425	475	163	200	165	663	320	302	23.32	24.91	1"	2523	-783.3	147.8	183.9	
GH-201*-300/C7 HPB	4123	2567	1556	2141	1477	808	272	430	609.6	100	200	785	762	280	505	149	748	768	385	457	425	475	163	200	165	663	320	302	27.08	28.93	1"	2578	-747.1</			

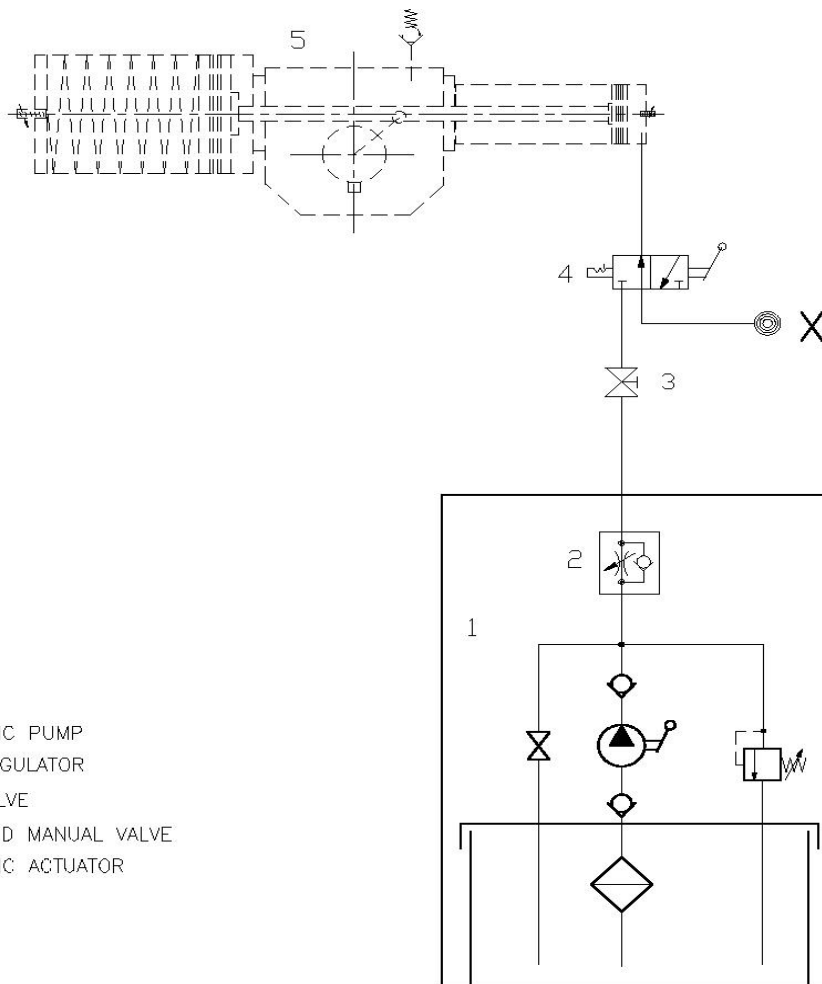




ACTUATOR MODEL	ACTUATOR OVERALL DIMENSIONS (mm)																			CARTER		SPOOL * (OPTIONAL)			CLEARANCE FOR DISASSEMBLY			DISPLACEMENT (LITRES)		X (NPT)	weight (Kg)	CENTER GRAVITY				
	A	B	C	B2	B3	C2	C4	Ev	E	F	F1	G	H	H1	K	L	N	P	P1	R	S	AL	AR	M1	M	Weight	ES	EC	ET			Simm.	Canted	(Kg)	XG	ZG
GH-271*-140*/C2 HPB	5048	3176	1872	2665	1807	1017	274	375	375	711.2	150	270	966	838	340	626	192	875	996	385	466	510	580	210	280	365	800	390	392	9.14	9.77	3/4"	3927	-1177.7	196.3	244.3
GH-271*-160*/C2 HPB	5048	3176	1872	2665	1807	1017	274	375	375	711.2	150	270	966	823	340	626	192	875	996	385	451	510	580	210	280	365	800	390	392	11.94	12.76	3/4"	3927	-1163.0	196.3	244.5
GH-271*-180*/C2 HPB	5048	3176	1872	2665	1807	1017	274	375	375	711.2	150	270	966	863	340	626	192	875	996	385	491	510	580	210	280	365	800	390	392	18.65	19.94	3/4"	3922	-1176.5	196.3	244.3
GH-271*-200*/C2 HPB	5048	3176	1872	2665	1807	1017	274	375	375	711.2	150	270	966	806	340	626	192	875	996	385	434	510	580	210	280	365	800	390	392	20.55	21.97	3/4"	4042	-1108.7	196.3	245.1
GH-271*-220*/C2 HPB	5044	3176	1868	2665	1807	1015	272	375	375	711.2	150	270	966	806	340	626	192	875	996	385	433	510	580	210	280	365	800	390	392	24.66	26.37	3/4"	3952	-1157.9	196.3	244.5
GH-271*-240*/C2 HPB	5046	3176	1870	2665	1807	1015	274	375	375	711.2	150	270	966	798	340	626	192	875	996	385	426	510	580	210	280	365	800	390	392	31.48	33.66	3/4"	4132	-1062.2	196.3	245.6
GH-271*-260*/C2 HPB	5046	3176	1870	2665	1807	1015	274	375	375	711.2	150	270	966	798	340	626	192	875	996	385	426	510	580	210	280	365	800	390	392	29.11	31.12	3/4"	4132	-1062.1	196.3	245.6
GH-271*-280*/C2 HPB	5046	3176	1870	2665	1807	1015	274	375	375	711.2	150	270	966	798	340	626	192	875	996	385	426	510	580	210	280	365	800	390	392	31.48	33.66	1"	4042	-1107.9	196.3	245.1
GH-271*-300*/C2 HPB	5033	3176	1857	2665	1807	1002	274	450	450	711.2	150	270	966	835	340	626	192	875	996	385	463	510	580	210	280	365	800	390	392	36.56	39.08	1"	4127	-1063.1	196.3	245.6
GH-271*-320*/C2 HPB	5033	3176	1857	2665	1807	1002	274	450	450	711.2	150	270	966	835	340	626	192	875	996	385	463	510	580	210	280	365	800	390	392	41.97	44.86	1"	4192	-1031.2	196.3	246.0
GH-271*-340*/C2 HPB	5011	3176	1835	2665	1807	982	272	440	440	711.2	150	270	966	880	340	626	192	875	996	385	508	510	580	210	280	365	800	390	392	47.75	51.05	3/4"	4021	-1099.2	196.3	245.2
GH-271*-360*/C2 HPB	5033	3176	1857	2665	1807	1002	274	500	500	711.2	150	270	966	860	340	626	192	875	996	385	488	510	580	210	280	365	800	390	392	60.43	64.60	1"	4227	-1015.5	196.3	246.2
GH-271*-380*/C2 HPB	5033	3176	1857	2665	1807	1002	274	530	530	711.2	150	270	966	875	340	626	192	875	996	385	503	510	580	210	280	365	800	390	392	60.43	64.60	1"	4257	-998.0	196.3	246.3
GH-271*-400*/C2 HPB	5036	3176	1860	2665	1807	995	284	550	550	711.2	150	270	966	885	340	626	192	875	996	385	513	510	580	210	280	365	800	390	392	67.45	72.10	1"	4272	-985.8	196.3	246.4
GH-271*-420*/C2 HPB	5043	3176	1867	2665	1807	1002	284	550	550	711.2	150	270	966	895	340	626	192	875	996	385	523	510	580	210	280	365	800	390	392	74.61	79.76	1"	4312	-965.9	196.3	246.6
GH-271*-440*/C2 HPB	5043	3176	1867	2665	1807	1002	284	550	550	711.2	150	270	966	895	340	626	192	875	996	385	523	510	580	210	280	365	800	390	392	82.25	87.93	1"	4352	-946.4	196.3	246.9
GH-271*-460*/C2 HPB	5033	3176	1857	2665	1807	1002	274	590	590	711.2	150	270	966	955	340	626	192	875	996	385	583	510	580	210	280	365	800	390	392	126.08	134.79	1"	4832	-734.9	196.3	249.2
GH-271*-140*/C3 HPB	5048	3176	1872	2665	1807	1017	274	375	375	711.2	150	270	966	838	340	626	192	875	996	385	466	510	580	210	280	365	800	390	392	9.14	9.77	3/4"	3943	-1181.2	196.3	244.5
GH-271*-160*/C3 HPB	5048	3176	1872	2665	1807	1017	274	375	375	711.2	150	270	966	823	340	626	192	875	996	385	451	510	580	210	280	365	800	390	392	11.94	12.76	3/4"	3968	-1166.6	196.3	244.6
GH-271*-180*/C3 HPB	5048	3176	1872	2665	1807	1017	274	375	375	711.2	150	270	966	863	340	626	192	875	996	385	491	510	580	210	280	365	800	390	392	18.65	19.94	3/4"	3943	-1180.0	196.3	244.5
GH-271*-200*/C3 HPB	5048	3176	1872	2665	1807	1017	274	375	375	711.2	150	270	966	806	340	626	192	875	996	385	434	510	580	210	280	365	800	390	392	20.55	21.97	3/4"	4063	-1112.5	196.3	245.2
GH-271*-220*/C3 HPB	5044	3176	1868	2665	1807	1015	272	375	375	711.2	150	270	966	806	340	626	192	875	996	385	433	510	580	210	280	365	800	390	392	24.66	26.37	3/4"	3973	-1161.5	196.3	244.7
GH-271*-240*/C3 HPB	5046	3176	1870	2665	1807	1015	274	375	375	711.2	150	270	966	798	340	626	192	875	996	385	426	510	580	210	280	365	800	390	392	31.48	33.66	3/4"	4153	-1066.1	196.3	245.8
GH-271*-260*/C3 HPB	5046	3176	1870	2665	1807	1015	274	375	375	711.2	150	270	966	798	340	626	192	875	996	385	426	510	580	210	280	365	800	390	392	29.11	31.12	3/4"	4153	-1066.0	196.3	245.8
GH-271*-280*/C3 HPB	5033	3176	1857	2665	1807	1002	274	450	450	711.2	150	270	966	835	340	626	192	875	996	385	463	510	580	210	280	365	800	390	392	36.56	39.08	1"	4148	-1067.0	196.3	245.7
GH-271*-300*/C3 HPB	5033	3176	1857	2665	1807	1002	274	450	450	711.2	150	270	966	835	340	626	192	875	996	385	463	510	580	210	280	365	800	390	392	41.97	44.86	1"	4213	-1035.2	196.3	246.1
GH-271*-320*/C3 HPB	5011	3176	1835	2665	1807	982	272	440	440	711.2	150	270	966	880	340	626	192	875	996	385	508	510	580	210	280	365	800	390	392	47.75	51.05	3/4"	4083	-1103.0	196.3	245.3
GH-271*-340*/C3 HPB	5033	3176	1857	2665	1807	1002	274	500	500	711.2	150	270	966	860	340	626	192	875	996	385	488	510	580	210	280	365	800	390	392	60.43	64.60	1"	4243	-1019.6	196.3	246.3
GH-271*-360*/C3 HPB	5033	3176	1857	2665	1807	1002	274	530	530	711.2	150	270	966	875	340	626	192	875	996	385	503	510	580	210	280	365	800	390	392	60.43	64.60	1"	4278	-1002.1	196.3	246.5
GH-271*-380*/C3 HPB	5036	3176	1860	2665	1807	995	284	550	550	711.2	150	270	966	885	340	626	192	875	996	385	513	510	580	210	280	365	800	390	392	67.45	72.10	1"	4293	-990.0	196.3	246.5
GH-271*-400*/C3 HPB	5043	3176	1867	2665	1807	1002	284	550	550	711.2	150	270	966	895	340	626	192	875	996	385	523	510	580	210	280	365	800	390	392	74.61	79.76	1"	4333	-970.1	196.3	246.8
GH-271*-420*/C3 HPB	5043	3176	1867	2665	1807	1002	284	550	550	711.2	150	270	966	895	340	626	192	875	996	385	523	510	580	210	280	365	800	390	392	82.25	87.93	1"	4373	-950.7	196.3	247.0
GH-271*-440*/C3 HPB	5033	3176	1857	2665	1807	1002	274	590	590	711.2	150	270	966	955	340	626	192	875	996	385	583	510	580	210	280	365	800	390	392	126.08	134.79	1"	4853	-739.6	196.3	249.3
GH-271*-140*/C4 HPB	5108	3236	1872	2725	1837	1017	274	375	375	711.2	150	270	966	838	340	626	192	875	996	385	466	510	580	210	280	365	800	390	392	9.14	9.77	3/4"	3607	-1139.8	196.3	242.1
GH-271*-160*/C4 HPB	5108	3236	1872	2725	1837	1017	274	375	375	711.2	150	270	966	823	340	626	192	875	996	385	451	510	580	210	280	365	800	390	392	11.94	12.76	3/4"	3632	-1124.1	196.3	242.3
GH-271*-180*/C4 HPB	5108	3236	1872	2725	1837	1017	274	375	375	711.2	150	270	966	863	340	626	192	875	996	385	491	510	580	210	280	365	800	390	392	18.65	19.94	3/4"	3607	-1138.5		

**GH RANGE METRIC DIMENSION DATA  
- SINGLE ACTING - FAIL CLOSE - OGH000ADC REV.3**

ACTUATOR MODEL	ACTUATOR OVERALL DIMENSIONS (mm)																			CARTER		SPOOL * (OPTIONAL)			CLEARANCE FOR DISASSEMBLY			DISPLACEMENT (LITRES)		X	weight	CENTER GRAVITY				
	A	B	C	B2	B3	C2	C4	Ev	E	F	F1	G	H	H1	K	L	N	P	P1	R	S	AL	AR	M1	M	Weight	ES	EC	ET	Simm.	Canted	(NPT)	(Kg)	XG	ZG	YG
	GH 350 - CARTER CARBON STEEL																																			
GH-350°-160°/C0 HPB	6434	3741	2693	2920	1626	1338	434	440	440	813	150	350	1277	1102	520	757	364	1145	1317	385	472	820	920	360	400	790	1280	615	714	15.62	16.54	3/4"	9351	-924.1	340.0	298.1
GH-350°-180°/C0 HPB	6434	3741	2693	2920	1626	1338	434	440	440	813	150	350	1277	1102	520	757	364	1145	1317	385	472	820	920	360	400	790	1280	615	714	24.40	25.84	3/4"	9401	-910.4	340.0	298.4
GH-350°-220°/C0 HPB	6434	3741	2693	2920	1626	1338	434	440	440	813	150	350	1277	1102	520	757	364	1145	1317	385	472	820	920	360	400	790	1280	615	714	32.26	34.17	1"	9581	-862.6	340.0	299.3
GH-350°-240°/C0 HPB	6434	3741	2693	2920	1626	1338	434	420	420	813	150	350	1277	1092	520	757	364	1145	1317	385	462	820	920	360	400	790	1280	615	714	41.18	43.62	1"	9581	-862.1	340.0	299.3
GH-350°-260°/C0 HPB	6542	3741	2801	2920	1626	1446	434	420	420	813	150	350	1277	1092	520	757	364	1145	1317	385	462	820	920	360	400	790	1280	615	714	41.18	43.62	1"	9841	-790.6	340.0	300.7
GH-350°-280°/C0 HPB	6542	3741	2801	2920	1626	1446	434	450	450	813	150	350	1277	1107	520	757	364	1145	1317	385	477	820	920	360	400	790	1280	615	714	47.82	50.66	1"	9906	-774.1	340.0	301.0
GH-350°-300°/C0 HPB	6542	3741	2801	2920	1626	1446	434	450	450	813	150	350	1277	1107	520	757	364	1145	1317	385	477	820	920	360	400	790	1280	615	714	54.90	58.14	1"	9936	-766.1	340.0	301.1
GH-350°-320°/C0 HPB	6542	3741	2801	2920	1626	1446	434	450	450	813	150	350	1277	1107	520	757	364	1145	1317	385	477	820	920	360	400	790	1280	615	714	62.46	66.16	1"	9851	-786.0	340.0	300.7
GH-350°-350°/C0 HPB	6542	3741	2801	2920	1626	1446	434	450	450	813	150	350	1277	1107	520	757	364	1145	1317	385	477	820	920	360	400	790	1280	615	714	74.72	79.14	1"	9906	-771.3	340.0	301.0
GH-350°-380°/C0 HPB	6542	3741	2801	2920	1626	1446	434	450	450	813	150	350	1277	1107	520	757	364	1145	1317	385	477	820	920	360	400	790	1280	615	714	88.23	93.45	1"	10101	-723.5	340.0	301.9
GH-350°-400°/C0 HPB	6542	3741	2801	2920	1626	1446	434	550	550	813	150	350	1277	1157	520	757	364	1145	1317	385	527	820	920	360	400	790	1280	615	714	97.59	103.37	1"	10156	-709.8	340.0	302.2
GH-350°-440°/C0 HPB	6542	3741	2801	2920	1626	1446	434	550	550	813	150	350	1277	1157	520	757	364	1145	1317	385	527	820	920	360	400	790	1280	615	714	118.08	125.07	1"	10251	-686.1	340.0	302.6
GH-350°-460°/C0 HPB	6542	3741	2801	2920	1626	1446	434	550	550	813	150	350	1277	1157	520	757	364	1145	1317	385	527	820	920	360	400	790	1280	615	714	129.06	136.70	1"	10356	-661.5	340.0	303.1
GP-350°-520°/C0 HPB	6544	3741	2803	2920	1626	1448	434	690	690	813	150	350	1277	1227	520	757	364	1145	1317	385	597	820	920	360	400	790	1280	615	714	164.93	174.69	1"	10661	-592.2	340.0	304.5
GH-350°-160°/C1 HPB	6434	3741	2693	2920	1626	1338	434	440	440	813	150	350	1277	1102	520	757	364	1145	1317	385	472	820	920	360	400	790	1280	615	714	15.62	16.54	3/4"	9885	-997.1	340.0	300.9
GH-350°-180°/C1 HPB	6434	3741	2693	2920	1626	1338	434	440	440	813	150	350	1277	1102	520	757	364	1145	1317	385	472	820	920	360	400	790	1280	615	714	24.40	25.84	3/4"	9935	-983.7	340.0	301.1
GH-350°-220°/C1 HPB	6434	3741	2693	2920	1626	1338	434	440	440	813	150	350	1277	1102	520	757	364	1145	1317	385	472	820	920	360	400	790	1280	615	714	32.26	34.17	1"	10115	-937.2	340.0	302.0
GH-350°-240°/C1 HPB	6434	3741	2693	2920	1626	1338	434	420	420	813	150	350	1277	1092	520	757	364	1145	1317	385	462	820	920	360	400	790	1280	615	714	41.18	43.62	1"	10115	-936.7	340.0	302.0
GH-350°-260°/C1 HPB	6542	3741	2801	2920	1626	1446	434	420	420	813	150	350	1277	1092	520	757	364	1145	1317	385	462	820	920	360	400	790	1280	615	714	41.18	43.62	1"	10375	-867.0	340.0	303.2
GH-350°-280°/C1 HPB	6542	3741	2801	2920	1626	1446	434	450	450	813	150	350	1277	1107	520	757	364	1145	1317	385	477	820	920	360	400	790	1280	615	714	47.82	50.66	1"	10440	-850.8	340.0	303.5
GH-350°-300°/C1 HPB	6542	3741	2801	2920	1626	1446	434	450	450	813	150	350	1277	1107	520	757	364	1145	1317	385	477	820	920	360	400	790	1280	615	714	54.90	58.14	1"	10470	-843.0	340.0	303.6
GH-350°-320°/C1 HPB	6542	3741	2801	2920	1626	1446	434	450	450	813	150	350	1277	1107	520	757	364	1145	1317	385	477	820	920	360	400	790	1280	615	714	62.46	66.16	1"	10385	-862.5	340.0	303.3
GH-350°-350°/C1 HPB	6542	3741	2801	2920	1626	1446	434	450	450	813	150	350	1277	1107	520	757	364	1145	1317	385	477	820	920	360	400	790	1280	615	714	74.72	79.14	1"	10440	-848.2	340.0	303.5
GH-350°-380°/C1 HPB	6542	3741	2801	2920	1626	1446	434	450	450	813	150	350	1277	1107	520	757	364	1145	1317	385	477	820	920	360	400	790	1280	615	714	88.23	93.45	1"	10635	-801.4	340.0	304.4
GH-350°-400°/C1 HPB	6542	3741	2801	2920	1626	1446	434	550	550	813	150	350	1277	1157	520	757	364	1145	1317	385	527	820	920	360	400	790	1280	615	714	97.59	103.37	1"	10690	-788.0	340.0	304.6
GH-350°-440°/C1 HPB	6542	3741	2801	2920	1626	1446	434	550	550	813	150	350	1277	1157	520	757	364	1145	1317	385	527	820	920	360	400	790	1280	615	714	118.08	125.07	1"	10785	-764.7	340.0	305.0
GH-350°-460°/C1 HPB	6542	3741	2801	2920	1626	1446	434	550	550	813	150	350	1277	1157	520	757	364	1145	1317	385	527	820	920	360	400	790	1280	615	714	129.06	136.70	1"	10890	-740.6	340.0	305.4
GP-350°-520°/C1 HPB	6544	3741	2803	2920	1626	1448	434	690	690	813	150	350	1277	1227	520	757	364	1145	1317	385	597	820	920	360	400	790	1280	615	714	164.93	174.69	1"	11195	-672.5	340.0	306.6
GH-350°-160°/C9 HPB	6434	3741	2693	2920	1626	1338	434	440	440	813	150	350	1277	1102	520	757	364	1145	1317	385	472	820	920	360	400	790	1280	615	714	15.62	16.54	3/4"	9031	-876.3	340.0	296.2
GH-350°-180°/C9 HPB	6434	3741	2693	2920	1626	1338	434	440	440	813	150	350	1277	1102	520	757	364	1145	1317	385	472	820	920	360	400	790	1280	615	714	24.40	25.84	3/4"	9081	-862.3	340.0	296.5
GH-350°-220°/C9 HPB	6434	3741	2693	2920	1626	1338	434	440	440	813	150	350	1277	1102	520	757	364	1145	1317	385	472	820	920	360	400	790	1280	615	714	32.26	34.17	1"	9261	-813.9	340.0	297.6
GH-350°-240°/C9 HPB	6434	3741	2693	2920	1626	1338	434	420	420	813	150	350	1277	1092	520	757	364	1145	1317	385	462	820	920	360	400	790	1280	615	714	41.18	43.62	1"	9261	-813.3	340.0	297.6
GH-350°-260°/C9 HPB	6542	3741	2801	2920	1626	1446	434	420	420	813	150	350	1277	1092	520	757	364	1145	1317	385	462	820	920	360	400	790	1280	615	714	41.18	43.62	1"	9521	-740.8	340.0	299.0
GH-350°-280°/C9 HPB	6542	3741	2801	2920	1626	1446	434	450	450	813	150	350	1277	1107	520	757	364	1145	1317	385	477	820	920	360	400	790	1280	615	714	47.82	50.66	1"	9586	-724.0	340.0	299.4
GH-350°-300°/C9 HPB	6542	3741	2801	2920	1626	1446	434	450	450	813	150	350	1277	1107	520	757	364	1145	1317	385	477	820	920	360	400	790	1280	615	714	54.90	58.14	1"	9616	-715.9	340.0	299.5
GH-350°-320°/C9 HPB	6542	3741	2801	2920	1626	1446	434	450	450	813	150	35																								



DESCRIPTION

- 1 ) HYDRAULIC PUMP
- 2 ) FLOW REGULATOR
- 3 ) STOP VALVE
- 4 ) 3/2 HAND MANUAL VALVE
- 5 ) HYDRAULIC ACTUATOR

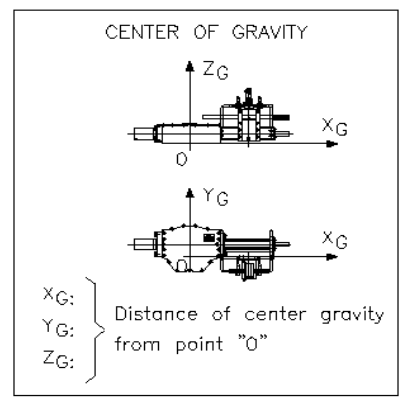
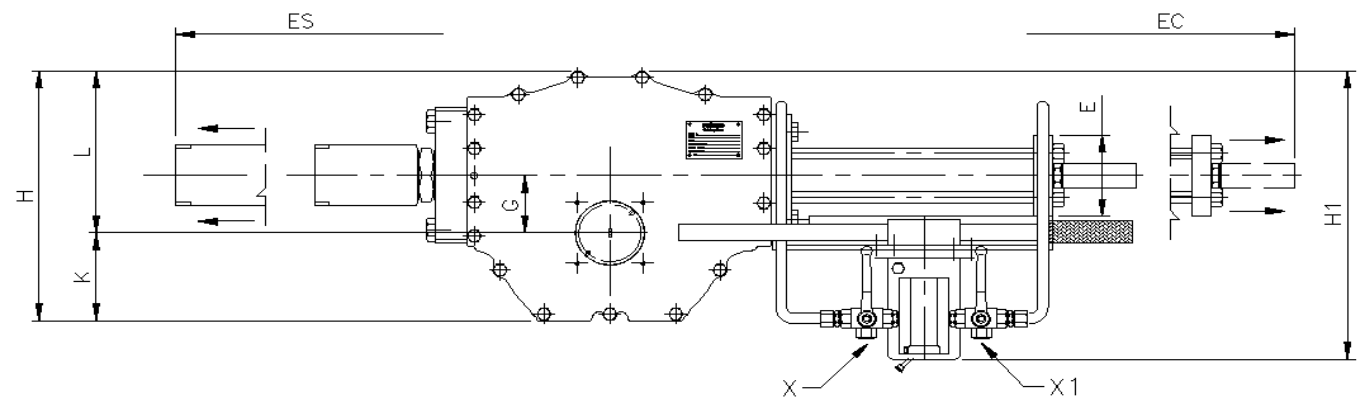
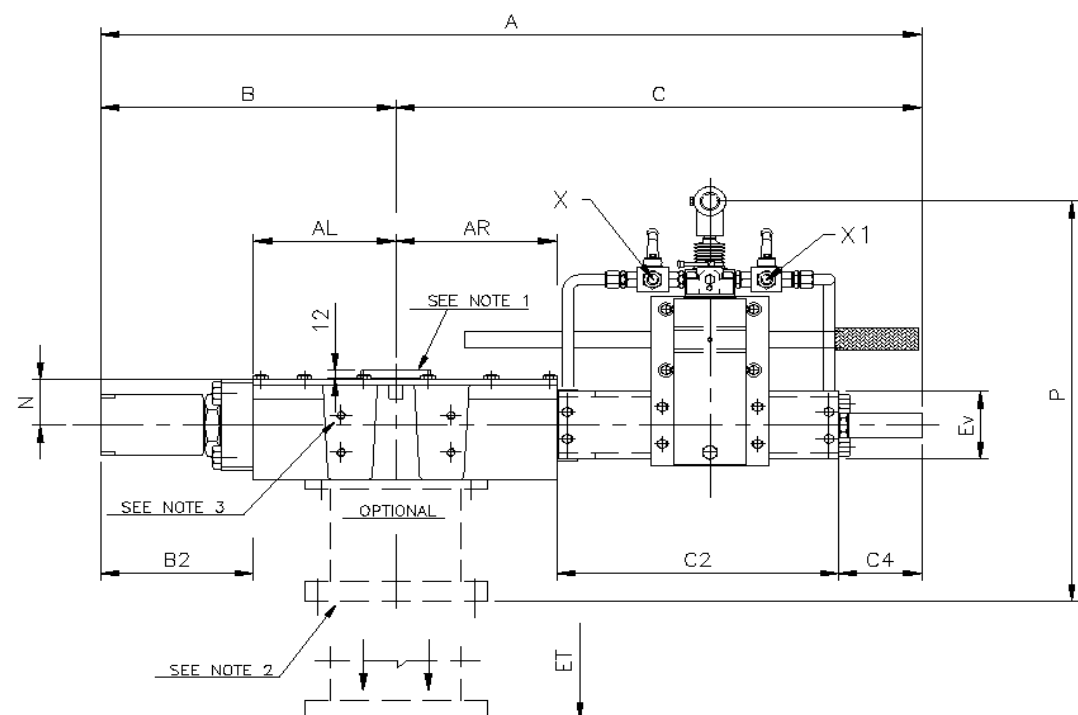
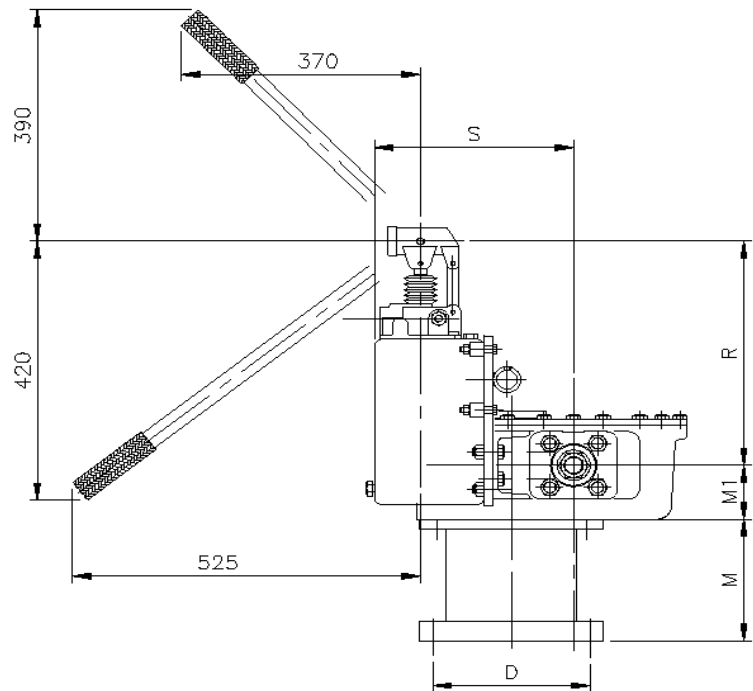
X — HYDRAULIC CONNECTION

**rotork**  
fluid system

SINGLE ACTING HYDRAULIC ACTUATOR  
HAND MANUAL PUMP — HPB

01	22.06.06	BERNINI	BARSOTTI
00	08.02.99	BAIARDI	FERDENZI
rev.	date	drawn	check

GD00552-1



- Ⓢ LIFTING POINT ACTUATOR ONLY
- D ACCORDING TO VALVE FLANGE
- X-X1 HYDRAULIC CONNECTION
- NOTE 3 CONTROL PANEL INTERFACE ACCORDING TO : DWG. GD00198-040
- NOTE 2 COUPLING ACTUATOR INTERFACE ACCORDING TO : DWG. GD00198-030
- NOTE 1 MICROSWITCHES GROUP INTERFACE ACCORDING TO : DWG. GD00220

All dimensions are in mm



HYDRAULIC ACTUATOR  
DOUBLE ACTING c/w HPC  
OVERALL DIMENSIONS

03	26.04.10	BERNINI	BARSOZZI
02	22.06.06	BERNINI	BARSOZZI
00	24.01.02	BONGIOVANNI	FERDENZI
rev.	date	drawn	check

OGHDH00ADC

REPORTED ARE MAXIMUM DIMENSIONS - IT WILL BE CARE OF R.F.S. TO INFORM YOU IN CASE OF ANY DIMENSIONAL INCREASE

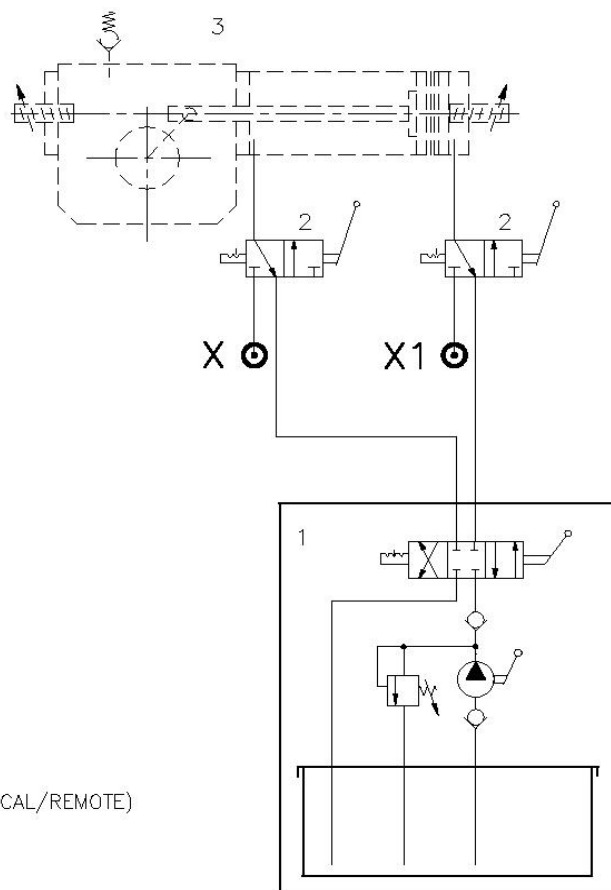
**GH RANGE METRIC DIMENSION DATA  
- DOUBLE ACTING - OGDH00ADC REV.03**

ACTUATOR MODEL	ACTUATOR OVERALL DIMENSIONS (mm)															CARTER		SPOOL * (OPTIONAL)			CLEARANCE FOR DISASSEMBLY			DISPLACEMENT (LITRES)		X-X1	weight	CENTER GRAVITY				
	A	B	C	B2	C2	C4	Ev	E	G	H	H1	K	L	N	P	R	S	AL	AR	M1	M	Weight	ES	EC	ET	Simm.	Canted	(NPT)	(Kg)	XG	ZG	YG
<b>GH 065 - CARTER CARBON STEEL - FLANGE TYPE ISO F25</b>																																
GH-065*-040*/D1 HPC	1024	337	687	171	384	112	100	120	65	341	403	145	196	70	550	330	272	165	190	80	140	33	160	130	140	0.18	0.19	1/4"	89	107.0	73.0	44.6
GH-065*-045*/D1 HPC	1024	337	687	171	384	112	106	134	65	341	415	145	196	70	550	330	284	165	190	80	140	33	160	130	140	0.23	0.24	1/4"	90	110.0	73.0	44.8
GH-065*-050*/D1 HPC	1024	337	687	171	384	112	106	134	65	341	415	145	196	70	550	330	284	165	190	80	140	33	160	130	140	0.28	0.30	1/4"	90	110.6	73.0	44.8
GH-065*-060*/D1 HPC	1024	337	687	171	384	112	110	110	65	341	398	145	196	70	550	330	267	165	190	80	140	33	160	130	140	0.40	0.43	1/2"	94	122.5	73.0	45.7
GH-065*-070*/D1 HPC	1029	337	692	171	384	117	135	135	65	341	416	145	196	70	550	330	285	165	190	80	140	33	160	130	140	0.55	0.59	1/2"	102	143.6	73.0	47.2
GH-065*-080*/D1 HPC	1024	337	687	171	384	112	116	116	65	341	401	145	196	70	550	330	270	165	190	80	140	33	160	130	140	0.72	0.76	1/2"	98	134.9	73.0	46.5
GH-065*-090*/D1 HPC	1033	337	696	171	388	117	130	115	65	341	406	145	196	70	550	330	275	165	190	80	140	33	160	130	140	0.91	0.97	1/2"	102	146.3	73.0	47.2
GH-065*-100*/D1 HPC	1049	337	712	171	384	137	130	130	65	341	413	145	196	70	550	330	282	165	190	80	140	33	160	150	140	1.12	1.19	1/2"	102	146.5	73.0	47.2
GH-065*-110*/D1 HPC	1078	337	741	171	413	137	160	145	65	341	421	145	196	70	550	330	290	165	190	80	140	33	160	150	140	1.36	1.44	1/2"	117	185.6	73.0	49.5
GH-065*-125*/D1 HPC	1080	337	743	171	415	137	180	175	65	341	436	145	196	70	550	330	305	165	190	80	140	33	160	150	140	1.75	1.87	1/2"	119	191.3	73.0	49.7
GH-065*-140*/D1 HPC	1085	337	748	171	420	137	220	170	65	341	433	145	196	70	550	330	302	165	190	80	140	33	160	150	140	2.20	2.34	1/2"	138	222.5	73.0	51.8
GH-065*-160*/D1 HPC	1080	337	743	171	415	137	220	190	65	341	438	145	196	70	550	330	307	165	190	80	140	33	160	150	140	2.87	3.06	3/4"	144	231.2	73.0	52.4
GH-065*-180*/D1 HPC	1152	337	815	171	466	158	220	240	65	341	463	145	196	70	550	330	332	165	190	80	140	33	160	160	140	3.64	3.87	3/4"	165	272.4	73.0	54.0
GH-065*-200*/D1 HPC	1131	337	794	171	466	137	240	240	65	341	463	145	196	70	550	330	332	165	190	80	140	33	160	160	140	4.49	4.77	3/4"	175	291.5	73.0	54.6
<b>GH 085 - CARTER CAST IRON - FLANGE TYPE ISO F25</b>																																
GH-085*-040*/D1 HPC	1084	367	717	171	384	112	100	120	85	370	427	130	240	70	550	330	272	195	220	80	140	33	160	150	140	0.23	0.25	1/4"	114	86.6	74.0	61.1
GH-085*-045*/D1 HPC	1084	367	717	171	384	112	106	134	85	370	439	130	240	70	550	330	284	195	220	80	140	33	160	150	140	0.30	0.32	1/4"	115	89.9	74.0	61.3
GH-085*-050*/D1 HPC	1084	367	717	171	384	112	106	134	85	370	439	130	240	70	550	330	284	195	220	80	140	33	160	150	140	0.37	0.39	1/4"	115	91.7	74.0	61.3
GH-085*-060*/D1 HPC	1084	367	717	171	384	112	110	110	85	370	422	130	240	70	550	330	267	195	220	80	140	33	160	150	140	0.53	0.57	1/2"	119	103.9	74.0	62.1
GH-085*-070*/D1 HPC	1089	367	722	171	384	117	135	135	85	370	440	130	240	70	550	330	285	195	220	80	140	33	160	150	140	0.72	0.77	1/2"	127	124.3	74.0	63.6
GH-085*-080*/D1 HPC	1084	367	717	171	384	112	116	116	85	370	425	130	240	70	550	330	270	195	220	80	140	33	160	150	140	0.94	1.01	1/2"	123	116.6	74.0	62.9
GH-085*-090*/D1 HPC	1093	367	726	171	388	117	130	115	85	370	430	130	240	70	550	330	275	195	220	80	140	33	160	150	140	1.19	1.27	1/2"	127	127.5	74.0	63.6
GH-085*-100*/D1 HPC	1109	367	742	171	384	137	130	130	85	370	437	130	240	70	550	330	282	195	220	80	140	33	160	150	140	1.47	1.57	1/2"	127	122.4	74.0	63.6
GH-085*-110*/D1 HPC	1138	367	771	171	413	137	160	145	85	370	445	130	240	70	550	330	290	195	220	80	140	33	160	150	140	1.78	1.90	1/2"	142	158.4	74.0	65.8
GH-085*-125*/D1 HPC	1140	367	773	171	415	137	180	175	85	370	460	130	240	70	550	330	305	195	220	80	140	33	160	150	140	2.29	2.45	1/2"	144	161.7	74.0	66.1
GH-085*-140*/D1 HPC	1145	367	778	171	420	137	220	170	85	370	457	130	240	70	550	330	302	195	220	80	140	33	160	150	140	2.88	3.08	1/2"	163	192.3	74.0	68.3
GH-085*-160*/D1 HPC	1140	367	773	171	415	137	220	190	85	370	462	130	240	70	550	330	307	195	220	80	140	33	160	150	140	3.76	4.02	3/4"	169	203.6	74.0	68.9
GH-085*-180*/D1 HPC	1212	367	845	171	466	158	220	240	85	370	487	130	240	70	550	330	332	195	220	80	140	33	160	160	140	4.76	5.09	3/4"	190	230.2	74.0	70.7
GH-085*-200*/D1 HPC	1191	367	824	171	466	137	240	240	85	370	487	130	240	70	550	330	332	195	220	80	140	33	160	160	140	5.87	6.28	3/4"	427	248.8	74.0	71.4
<b>GH 100 - CARTER CARBON STEEL - FLANGE TYPE ISO F25</b>																																
GH-100*-060*/D1 HPC	1364	434	930	208	527	147	120	120	100	432	449	160	272	84	583	350	277	225	255	93	140	33	220	170	167	0.82	0.67	1/2"	153	162.8	86.7	77.2
GH-100*-070*/D1 HPC	1364	434	930	208	527	147	135	135	100	432	457	160	272	84	583	350	285	225	255	93	140	33	220	170	167	0.85	0.90	1/2"	158	174.7	86.7	77.9
GH-100*-080*/D1 HPC	1363	434	929	208	526	147	140	140	100	432	459	160	272	84	583	350	287	225	255	93	140	33	220	170	167	1.11	1.18	1/2"	164	187.8	86.7	78.7
GH-100*-090*/D1 HPC	1364	434	930	208	527	147	140	140	100	432	459	160	272	84	583	350	287	225	255	93	140	33	220	170	167	1.40	1.49	1/2"	164	188.7	86.7	78.7
GH-100*-100*/D1 HPC	1364	434	930	208	527	147	160	150	100	432	464	160	272	84	583	350	292	225	255	93	140	33	220	170	167	1.73	1.84	1/2"	161	183.5	86.7	78.3
GH-100*-110*/D1 HPC	1364	434	930	208	527	147	160	145	100	432	462	160	272	84	583	350	290	225	255	93	140	33	220	170	167	2.09	2.23	1/2"	162	187.1	86.7	78.5
GH-100*-115*/D1 HPC	1364	434	930	208	527	147	160	160	100	432	469	160	272	84	583	350	297	225	255	93	140	33	220	170	167	2.28	2.44	1/2"	166	195.0	86.7	79.0
GH-100*-125*/D1 HPC	1364	434	930	208	527	147	185	165	100	432	472	160	272	84	583	350	300	225	255	93	140	33	220	170	167	2.70	2.88	1/2"	172	207.7	86.7	79.7
GH-100*-140*/D1 HPC	1364	434	930	208	527	147	220	170	100	432	474	160	272	84	583	350	302	225	255	93	140	33	220	170	167	3.39	3.62	1/2"	185	230.7	86.7	81.1
GH-100*-160*/D1 HPC	1430	434	996	208	573	167	195	195	100	432	487	160	272	84	583	350	315	225	255	93	140	33	220	170	167	4.42	4.72	3/4"	186	246.6	86.7	81.3
GH-100*-180*/D1 HPC	1493	434	1059	208	636	167	260	260	100	432	509	160	272	84	583	350	337	225	255	93	140	33	220	170	167	5.60	5.98	3/4"	264	364.4	86.7	86.8
GH-100*-200*/D1 HPC	1453	434	1019	208	626	137	240	240	100	432	499	160	272	84	583	350	327	225	255	93	140	33	220	170	167	6.91	7.38	3/4"	248	352.7	86.7	85.9
GH-100*-210*/D1 HPC	1483	434	1049	208	626	167	255	255	100	432	507	160	272	84	583	350	335	225	255	93	140	33	220	170	167	7.61	8.13	3/4"	268	372.2	86.7	87.0
GH-100*-220*/D1 HPC	1506	434	1072	208	625	191	275	275	100	432	527	160	272	84	583	350	355	225	255</													

ACTUATOR MODEL	ACTUATOR OVERALL DIMENSIONS (mm)																CARTER		SPOOL * (OPTIONAL)			CLEARANCE FOR DISASSEMBLY			DISPLACEMENT (LITRES)		X-X1	weight	CENTER GRAVITY			
	A	B	C	B2	C2	C4	Ev	E	G	H	H1	K	L	N	P	R	S	AL	AR	M1	M	Weight	ES	EC	ET	Simm.	Canted	(NPT)	(Kg)	XG	ZG	YG
<b>GH 160 - CARTER CARBON STEEL - FLANGE TYPE ISO F35</b>																																
GH-160*-070*/D1 HPC	1646	524	1122	183	594	147	136	135	160	658	553	240	418	105	627	350	295	340	380	127	150	80	220	255	222	1.36	1.45	1/2"	309	144.6	113.9	114.1
GH-160*-080*/D1 HPC	1645	524	1121	183	593	147	140	140	160	658	555	240	418	105	627	350	297	340	380	127	150	80	220	255	222	1.77	1.89	1/2"	313	151.7	113.9	114.7
GH-160*-090*/D1 HPC	1676	524	1152	183	624	147	150	150	160	658	550	240	418	105	627	350	292	340	380	127	150	80	220	255	222	2.24	2.39	1/2"	325	175.8	113.9	116.3
GH-160*-100*/D1 HPC	1697	524	1173	183	625	167	180	160	160	658	555	240	418	105	627	350	297	340	380	127	150	80	220	255	222	2.76	2.95	1/2"	340	199.1	113.9	118.3
GH-160*-110*/D1 HPC	1663	524	1139	183	611	147	180	160	160	658	555	240	418	105	627	350	297	340	380	127	150	80	220	255	222	3.34	3.57	1/2"	329	182.5	113.9	116.9
GH-160*-115*/D1 HPC	1663	524	1139	183	611	147	160	160	160	658	555	240	418	105	627	350	297	340	380	127	150	80	220	255	222	3.65	3.90	1/2"	321	170.5	113.9	115.8
GH-160*-125*/D1 HPC	1683	524	1159	183	611	167	160	160	160	658	555	240	418	105	627	350	297	340	380	127	150	80	220	255	222	4.32	4.61	1/2"	322	173.0	113.9	115.9
GH-160*-140*/D1 HPC	1663	524	1139	183	611	147	220	170	160	658	560	240	418	105	627	350	302	340	380	127	150	80	220	255	222	5.42	5.79	1/2"	344	207.4	113.9	118.8
GH-160*-160*/D1 HPC	1724	524	1200	183	628	191	235	185	160	658	568	240	418	105	627	350	310	340	380	127	150	80	220	255	222	7.08	7.56	3/4"	352	225.7	113.9	119.7
GH-160*-180*/D1 HPC	1792	524	1268	183	696	191	340	340	160	658	645	240	418	105	627	350	387	340	380	127	150	80	220	255	222	8.95	9.57	3/4"	447	346.3	113.9	128.3
GH-160*-200*/D1 HPC	1762	524	1238	183	696	161	340	340	160	658	645	240	418	105	627	350	387	340	380	127	150	80	220	255	222	11.05	11.81	3/4"	454	355.1	113.9	128.7
GH-160*-210*/D1 HPC	1781	524	1257	183	696	180	285	265	160	658	608	240	418	105	627	350	350	340	380	127	150	80	220	255	222	12.18	13.01	3/4"	447	351.7	113.9	128.3
GH-160*-220*/D1 HPC	1792	524	1268	183	696	191	285	265	160	658	608	240	418	105	627	350	350	340	380	127	150	80	220	255	222	13.38	14.29	3/4"	432	340.3	113.9	127.2
GH-160*-230*/D1 HPC	1789	524	1265	183	693	191	370	370	160	658	660	240	418	105	627	350	402	340	380	127	150	80	220	255	222	14.62	15.61	3/4"	499	392.6	113.9	131.6
GH-160*-240*/D1 HPC	1789	524	1265	183	693	191	370	370	160	658	660	240	418	105	627	350	402	340	380	127	150	80	220	255	222	15.92	17.00	3/4"	529	413.3	113.9	133.2
GH-160*-260*/D1 HPC	1791	524	1267	183	693	193	420	420	160	658	685	240	418	105	627	350	427	340	380	127	150	80	220	255	222	18.66	19.93	1"	559	433.8	113.9	134.6
<b>GH 161 - CARTER CARBON STEEL - FLANGE TYPE ISO F40</b>																																
GH-161*-070*/D1 HPC	1646	524	1122	183	594	147	136	135	160	661	556	240	421	127	650	350	295	340	380	150	150	80	220	255	267	1.36	1.45	1/2"	389	117.1	136.3	110.3
GH-161*-080*/D1 HPC	1645	524	1121	183	593	147	140	140	160	661	558	240	421	127	650	350	297	340	380	150	150	80	220	255	267	1.77	1.89	1/2"	393	123.0	136.3	110.8
GH-161*-090*/D1 HPC	1676	524	1152	183	624	147	150	150	160	661	553	240	421	127	650	350	292	340	380	150	150	80	220	255	267	2.24	2.39	1/2"	405	143.2	136.3	112.2
GH-161*-100*/D1 HPC	1697	524	1173	183	625	167	180	160	160	661	558	240	421	127	650	350	297	340	380	150	150	80	220	255	267	2.76	2.95	1/2"	420	163.3	136.3	113.9
GH-161*-110*/D1 HPC	1663	524	1139	183	611	147	180	160	160	661	558	240	421	127	650	350	297	340	380	150	150	80	220	255	267	3.34	3.57	1/2"	409	148.9	136.3	112.7
GH-161*-115*/D1 HPC	1663	524	1139	183	611	147	160	160	160	661	558	240	421	127	650	350	297	340	380	150	150	80	220	255	267	3.65	3.90	1/2"	401	138.6	136.3	111.7
GH-161*-125*/D1 HPC	1683	524	1159	183	611	167	160	160	160	661	558	240	421	127	650	350	297	340	380	150	150	80	220	255	267	4.32	4.61	1/2"	402	140.8	136.3	111.9
GH-161*-140*/D1 HPC	1663	524	1139	183	611	147	220	170	160	661	563	240	421	127	650	350	302	340	380	150	150	80	220	255	267	5.42	5.79	1/2"	424	170.3	136.3	114.4
GH-161*-160*/D1 HPC	1724	524	1200	183	628	191	235	185	160	661	571	240	421	127	650	350	310	340	380	150	150	80	220	255	267	7.08	7.56	3/4"	432	186.0	136.3	115.2
GH-161*-180*/D1 HPC	1792	524	1268	183	696	191	340	340	160	661	648	240	421	127	650	350	387	340	380	150	150	80	220	255	267	8.95	9.57	3/4"	527	295.5	136.3	123.3
GH-161*-200*/D1 HPC	1762	524	1238	183	696	161	340	340	160	661	648	240	421	127	650	350	387	340	380	150	150	80	220	255	267	11.05	11.81	3/4"	534	307.3	136.3	123.8
GH-161*-210*/D1 HPC	1781	524	1257	183	696	180	285	265	160	661	611	240	421	127	650	350	350	340	380	150	150	80	220	255	267	12.18	13.01	3/4"	527	300.1	136.3	123.3
GH-161*-220*/D1 HPC	1792	524	1268	183	696	191	285	265	160	661	611	240	421	127	650	350	350	340	380	150	150	80	220	255	267	13.38	14.29	3/4"	512	289.0	136.3	122.2
GH-161*-230*/D1 HPC	1789	524	1265	183	693	191	370	370	160	661	663	240	421	127	650	350	402	340	380	150	150	80	220	255	267	14.62	15.61	3/4"	579	340.0	136.3	126.6
GH-161*-240*/D1 HPC	1792	524	1268	183	696	191	285	265	160	661	611	240	421	127	650	350	350	340	380	150	150	80	220	255	267	15.92	17.00	3/4"	609	360.6	136.3	128.2
GH-161*-260*/D1 HPC	1791	524	1267	183	693	193	420	420	160	661	688	240	421	127	650	350	427	340	380	150	150	80	220	255	267	18.66	19.93	1"	639	381.0	136.3	129.7
<b>" NEW " GH 161 - CARTER CAST IRON - FLANGE TYPE ISO F35</b>																																
GH-161*-100*/D1 HPC	1710	531	1180	183	625	167	180	160	160	661	558	240	421	140.5	658	350	297	347.5	387.5	158	150	80	220	255	289	2.76	2.95	1/2"	395	166.3	136.3	114.1
GH-161*-110*/D1 HPC	1676	531	1146	183	611	147	180	160	160	661	558	240	421	140.5	658	350	297	347.5	387.5	158	150	80	220	255	289	3.34	3.57	1/2"	384	151.6	136.3	112.9
GH-161*-125*/D1 HPC	1696	531	1166	183	611	167	160	160	160	661	558	240	421	140.5	658	350	297	347.5	387.5	158	150	80	220	255	289	4.32	4.61	1/2"	377	143.3	136.3	112.0
GH-161*-140*/D1 HPC	1676	531	1146	183	611	147	220	170	160	661	563	240	421	140.5	658	350	302	347.5	387.5	158	150	80	220	255	289	5.42	5.79	1/2"	399	173.4	136.3	114.5
GH-161*-160*/D1 HPC	1737	531	1207	183	628	191	235	185	160	661	571	240	421	140.5	658	350	310	347.5	387.5	158	150	80	220	255	289	7.08	7.56	3/4"	407	189.4	136.3	115.4
GH-161*-180*/D1 HPC	1805	531	1275	183	696	191	340	340	160	661	648	240	421	140.5	658	350	387	347.5	387.5	158	150	80	220	255	289	8.95	9.57	3/4"	502	300.5	136.3	123.5
GH-161*-200*/D1 HPC	1775	531	1245	183	696	161	340	340	160	661	648	240	421	140.5	658	350	387	347.5	387.5	158	150	80	220	255	289	11.05	11.81	3/4"	509	308.8	136.3	124.0
GH-161*-210*/D1 HPC	1794	531	1264	183	696	180	285	265	160	661	611	240	421	140.5	658	350	350	347.5	387.5	158	150	80	220	255	289	12.18	13.01	3/4"	502	305.1	136.3	123.5
GH-161*-220*/D1 HPC	1805	531	1275	183	696	191	285	265	160	661	611	240	421</																			

ACTUATOR MODEL	ACTUATOR OVERALL DIMENSIONS (mm)																CARTER		SPOOL * (OPTIONAL)			CLEARANCE FOR DISASSEMBLY			DISPLACEMENT (LITRES)		X-X1	weight	CENTER GRAVITY			
	A	B	C	B2	C2	C4	Ev	E	G	H	H1	K	L	N	P	R	S	AL	AR	M1	M	Weight	ES	EC	ET	Simm.	Canted	(NPT)	(Kg)	XG	ZG	YG
<b>GH 201 - CARTER CARBON STEEL - FLANGE TYPE ISO F40</b>																																
GH-201*-090*/D1 HPC	2094	675	1419	249	731	212	150	150	200	785	692	280	505	149	713	350	387	425	475	163	200	165	280	320	302	2.80	2.99	1/2"	727	118.7	147.8	144.3
GH-201*-100*/D1 HPC	2117	675	1442	249	752	214	190	190	200	785	627	280	505	149	713	350	322	425	475	163	200	165	280	320	302	3.45	3.69	1/2"	757	149.4	147.8	146.5
GH-201*-110*/D1 HPC	2115	675	1440	249	752	212	190	190	200	785	627	280	505	149	713	350	322	425	475	163	200	165	280	320	302	4.18	4.47	1/2"	749	142.5	147.8	145.9
GH-201*-125*/D1 HPC	2117	675	1442	249	768	198	210	210	200	785	637	280	505	149	713	350	332	425	475	163	200	165	280	320	302	5.40	5.77	1/2"	784	178.1	147.8	148.3
GH-201*-140*/D1 HPC	2117	675	1442	249	768	198	260	290	200	785	677	280	505	149	748	385	372	425	475	163	200	165	280	320	302	6.77	7.23	1/2"	840	242.3	147.8	151.8
GH-201*-160*/D1 HPC	2162	675	1487	249	813	198	340	340	200	785	702	280	505	149	748	385	397	425	475	163	200	165	280	320	302	8.84	9.45	3/4"	890	267.5	147.8	154.5
GH-201*-170*/D1 HPC	2157	675	1482	249	808	198	340	340	200	785	692	280	505	149	748	385	387	425	475	163	200	165	280	320	302	11.19	11.96	3/4"	875	256.9	147.8	153.7
GH-201*-180*/D1 HPC	2157	675	1482	249	808	198	340	340	200	785	692	280	505	149	748	385	387	425	475	163	200	165	280	320	302	13.82	14.76	3/4"	875	257.8	147.8	153.7
GH-201*-200*/D1 HPC	2233	675	1558	249	850	232	270	240	200	785	652	280	505	149	748	385	347	425	475	163	200	165	280	320	302	15.22	16.26	3/4"	875	270.3	147.8	153.7
GH-201*-210*/D1 HPC	2191	675	1516	249	808	232	365	365	200	785	730	280	505	149	748	385	425	425	475	163	200	165	280	320	302	16.72	17.86	3/4"	945	306.6	147.8	157.1
GH-201*-220*/D1 HPC	2156	675	1481	249	808	197	340	340	200	785	717	280	505	149	748	385	412	425	475	163	200	165	280	320	302	18.27	19.51	3/4"	895	275.7	147.8	154.7
GH-201*-230*/D1 HPC	2156	675	1481	249	808	197	370	370	200	785	732	280	505	149	748	385	427	425	475	163	200	165	280	320	302	19.90	21.25	3/4"	920	292.9	147.8	156.0
GH-201*-240*/D1 HPC	2218	675	1543	249	835	232	420	420	200	785	757	280	505	149	748	385	452	425	475	163	200	165	280	320	302	23.32	24.91	3/4"	1050	368.3	147.8	161.4
GH-201*-250*/D1 HPC	2231	675	1556	249	808	272	420	420	200	785	757	280	505	149	748	385	452	425	475	163	200	165	280	320	302	21.56	23.03	1"	945	310.9	147.8	157.1
GH-201*-260*/D1 HPC	2231	675	1556	249	808	272	420	420	200	785	757	280	505	149	748	385	452	425	475	163	200	165	280	320	302	23.32	24.91	1"	990	337.8	147.8	159.1
GH-201*-280*/D1 HPC	2231	675	1556	249	808	272	430	430	200	785	762	280	505	149	748	385	457	425	475	163	200	165	280	320	302	27.08	28.93	1"	1045	368.1	147.8	161.2
GH-201*-300*/D1 HPC	2191	675	1516	249	808	232	420	420	200	785	757	280	505	149	748	385	452	425	475	163	200	165	280	320	302	31.09	33.21	3/4"	1010	353.2	147.8	159.9
GH-201*-320*/D1 HPC	2156	675	1481	249	808	197	470	470	200	785	782	280	505	149	748	385	477	425	475	163	200	165	280	320	302	35.37	37.78	3/4"	1085	392.0	147.8	162.7
GH-201*-340*/D1 HPC	2149	675	1474	249	801	197	500	500	200	785	797	280	505	149	748	385	492	425	475	163	200	165	280	320	302	39.91	42.63	1"	1090	395.1	147.8	162.8
GH-201*-360*/D1 HPC	2149	675	1474	249	801	197	500	500	200	785	797	280	505	149	748	385	492	425	475	163	200	165	280	320	302	44.76	47.81	1"	1200	441.6	147.8	166.3
GH-201*-380*/D1 HPC	2149	675	1474	249	801	197	500	500	200	785	797	280	505	149	748	385	492	425	475	163	200	165	280	320	302	49.96	53.37	1"	1210	447.8	147.8	166.5
<b>GH 270 - CARTER CARBON STEEL - FLANGE TYPE ISO F48</b>																																
GH-270*-125*/D1 HPC	2646	803	1843	292	990	272	265	290	270	952	759	310	642	164	815	385	387	510	580	180	250	240	310	390	334	7.29	7.79	3/4"	1124	209.4	168.9	200.2
GH-270*-140*/D1 HPC	2646	803	1843	292	990	272	265	290	270	952	799	310	642	164	815	385	427	510	580	180	250	240	310	390	334	9.14	9.77	3/4"	1179	250.9	168.9	203.4
GH-270*-160*/D1 HPC	2666	803	1863	292	1010	272	300	335	270	952	807	310	642	164	815	385	435	510	580	180	250	240	310	390	334	11.94	12.76	3/4"	1209	275.3	168.9	205.1
GH-270*-180*/D1 HPC	2696	803	1893	292	1040	272	270	240	270	952	799	310	642	164	815	385	427	510	580	180	250	240	310	390	334	18.65	19.94	3/4"	1184	265.3	168.9	203.7
GH-270*-200*/D1 HPC	2672	803	1869	292	1016	272	270	240	270	952	799	310	642	164	815	385	427	510	580	180	250	240	310	390	334	20.55	21.97	3/4"	1209	281.2	168.9	205.1
GH-270*-220*/D1 HPC	2676	803	1873	292	1020	272	290	290	270	952	834	310	642	164	815	385	462	510	580	180	250	240	310	390	334	24.66	26.37	1"	1224	294.1	168.9	205.9
GH-270*-240*/D1 HPC	2695	803	1892	292	1009	302	420	420	270	952	824	310	642	164	815	385	452	510	580	180	250	240	310	390	334	31.48	33.66	3/4"	1399	385.4	168.9	213.9
GH-270*-250*/D1 HPC	2695	803	1892	292	1009	302	420	420	270	952	824	310	642	164	815	385	452	510	580	180	250	240	310	390	334	29.11	31.12	3/4"	1399	385.7	168.9	213.9
GH-270*-260*/D1 HPC	2658	803	1855	292	1002	272	400	400	270	952	814	310	642	164	815	385	442	510	580	180	250	240	310	390	334	31.48	33.66	1"	1294	334.2	168.9	209.3
GH-270*-280*/D1 HPC	2658	803	1855	292	1002	272	430	430	270	952	839	310	642	164	815	385	467	510	580	180	250	240	310	390	334	36.56	39.08	1"	1379	381.5	168.9	213.1
GH-270*-300*/D1 HPC	2638	803	1835	292	982	272	420	420	270	952	869	310	642	164	815	385	497	510	580	180	250	240	310	390	334	41.97	44.86	3/4"	1314	339.9	168.9	210.3
GH-270*-320*/D1 HPC	2638	803	1835	292	982	272	440	440	270	952	884	310	642	164	815	385	512	510	580	180	250	240	310	390	334	47.75	51.05	3/4"	1334	352.5	168.9	211.2
GH-270*-360*/D1 HPC	2658	803	1855	292	1002	272	530	530	270	952	879	310	642	164	815	385	507	510	580	180	250	240	310	390	334	60.43	64.60	1"	1529	449.2	168.9	218.7
GH-270*-380*/D1 HPC	2668	803	1865	292	1000	284	550	550	270	952	889	310	642	164	815	385	517	510	580	180	250	240	310	390	334	67.45	72.10	1"	1539	467.9	168.9	219.0
GH-270*-400*/D1 HPC	2668	803	1865	292	1000	284	550	550	270	952	899	310	642	164	815	385	527	510	580	180	250	240	310	390	334	74.61	79.76	1"	1574	482.0	168.9	220.1
<b>GH 271 - CARTER CARBON STEEL - FLANGE TYPE ISO F60</b>																																
GH-271*-140*/D1 HPC	2675	803	1872	292	1017	274	375	375	270	982	838	340	642	192	875	385	466	510	580	210	280	365	310	390	392	9.14	9.77	3/4"	1285	248.5	196.3	191.6
GH-271*-160*/D1 HPC	2675	803	1872	292	1017	274	375	375	270	982	823	340	642	192	875	385	451	510	580	210	280	365	310	390	392	11.94	12.76	3/4"	1310	265.5	196.3	193.1
GH-271*-180*/D1 HPC	2675	803	1872	292	1017	274	375	375	270	982	863	340	642	192	875	385	491	510	580	210	280	365	310	390	392	18.65	19.94	3/4"	1285	252.1	196.3	191.6
GH-271*-200*/D1 HPC	2675	803	1872	292	1017	274	375	375	270	982	806	340	642	192	875	385	434	510	580	210	280	365	310	390	392	20.55	21.97	3/4"	1405	324.9	196.3	198.3
GH-271*-220*/D1 HPC	2671	803	1868	292	1015	272	280																									





DESCRIPTION

- 1 ) HYDRAULIC MANUAL PUMP
- 2 ) 3/2 HAND OPERATED VALVE (LOCAL/REMOTE)
- 3 ) HYDRAULIC ACTUATOR

X-X1 - HYDRAULIC CONNECTIONS

**rotork**  
fluid system

DOUBLE ACTING HYDRAULIC ACTUATOR  
HYDRAULIC MANUAL PUMP - HPC

02	22.06.06	BERNINI	BARSOTTI
01	02.06.00	BARILLI	FERDENZI
00	05.02.99	BAIARDI	FERDENZI
rev.	date	drawn	check

GD00552-3