

- Ⓢ LIFTING POINT ACTUATOR ONLY
- D ACCORDING TO VALVE FLANGE
- X PNEUMATIC CONNECTION
- NOTE 3 CONTROL PANEL INTERFACE ACCORDING TO : DWG. GDD0198-040
- NOTE 2 COUPLING ACTUATOR INTERFACE ACCORDING TO : DWG. GDD0198-030
- NOTE 1 MICROSWITCHES GROUP INTERFACE ACCORDING TO : DWG. GDD0220

All dimensions are in mm



SINGLE ACTING PNEUMATIC ACTUATOR
FAIL TO OPEN c/w MH(D)
OVERALL DIMENSIONS

02	16.04.08	BERNINI	BARSOZZI
01	27.10.05	BERNINI	BARSOZZI
00	15.12.00	FERDENZI	PISARONI
rev.	date	drawn	check

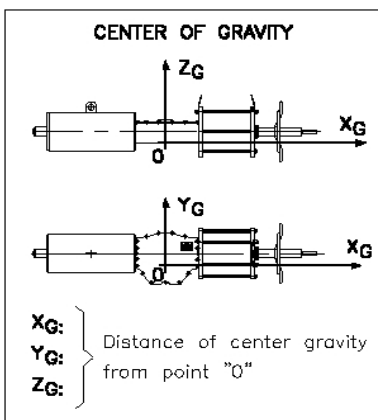
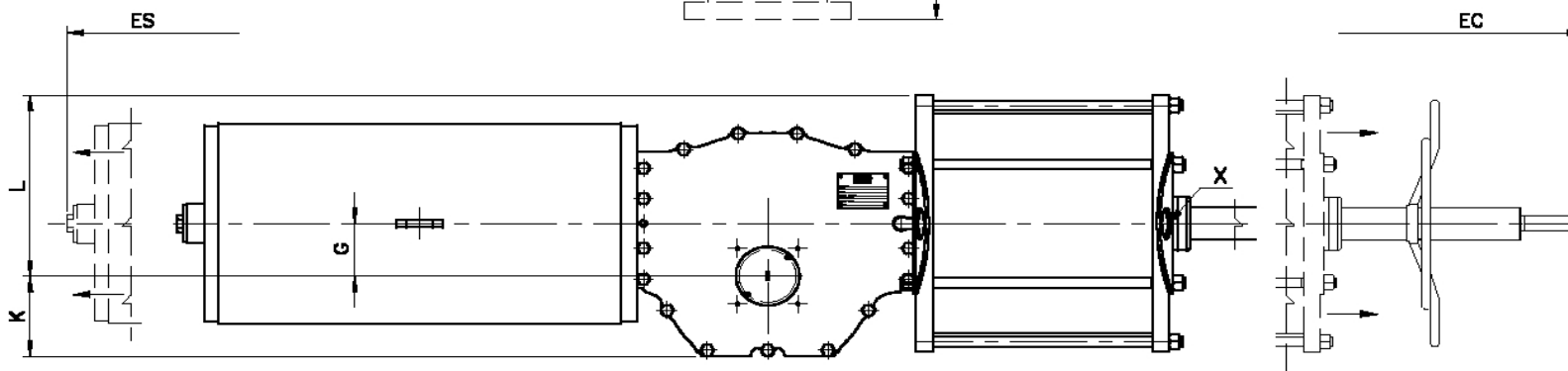
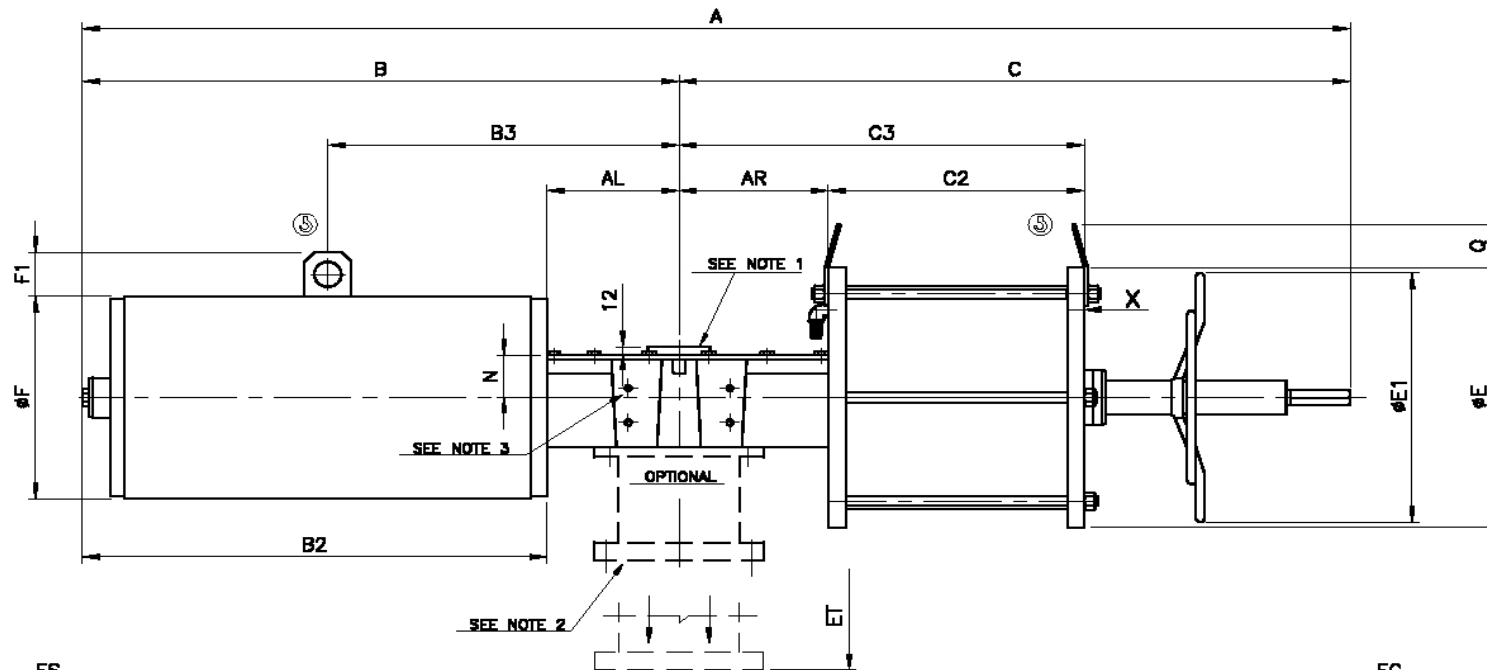
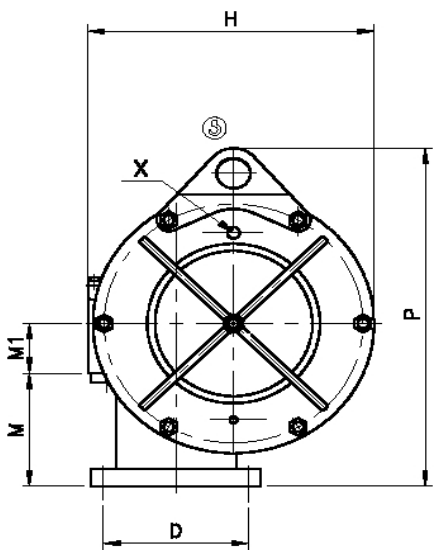
OGPAM00ADC

REPORTED ARE MAXIMUM DIMENSIONS - IT WILL BE CARE OF R.F.S. TO INFORM YOU IN CASE OF ANY DIMENSIONAL INCREASE

ACTUATOR MODEL	ACTUATOR OVERALL DIMENSIONS (mm)																CARTER		SPOOL * (OPTIONAL)			LIFTING POINT		CLEARANCE FOR DISASSEMBLY			DISPLACEMENT (LITRES)		X	weight	CENTER GRAVITY		
	A	B	C	B2	C2	ØE	ØE1	F	F1	G	H	K	L	N	P	Q	AL	AR	M1	M	Weight	B3	C3	ES	EC	ET	Simmetric	Canted	(NPT)	(Kg)	XG	ZG	YG
GP-065*-180*/O1 MH/D	1973	864	1109	672.5	353	240	600	273	70	65	330	145	185	70	530	80	165	190	80	250	40	468	519	260	127	140	4.20	4.27	1/4"	186	-112.7	73.0	54.4
GP-065*-235*/O1 MH/D	1978	864	1114	672.5	358	310	600	273	70	65	365	145	220	70	565	80	165	190	80	250	40	468	524	260	127	140	7.15	7.28	1/2"	217	-42.6	73.0	56.0
GP-065*-280*/O1 MH/D	1988	864	1124	672.5	368	355	600	273	70	65	388	145	243	70	588	80	165	190	80	250	40	468	534	260	127	140	10.16	10.34	1/2"	243	4.5	73.0	57.0
GP-065*-335*/O1 MH/D	1998	864	1134	672.5	378	415	600	273	70	65	418	145	273	70	608	70	165	190	80	250	40	468	544	260	127	140	14.52	14.78	1/2"	288	69.7	73.0	58.4
GP-065*-385*/O1 MH/D	2001	864	1137	672.5	381	465	600	273	70	65	443	145	298	70	643	80	165	190	80	250	40	468	547	260	127	140	19.21	19.56	1"	325	108.4	73.0	59.1
GP-065*-435*/O1 MH/D	2006	864	1142	672.5	386	515	600	273	70	65	468	145	323	70	668	80	165	190	80	250	40	468	552	260	127	140	24.50	24.95	1"	371	145.5	73.0	59.9
GP-065*-485*/O1 MH/D	2011	864	1147	672.5	391	570	600	273	70	65	495	145	350	70	695	80	165	190	80	250	40	468	557	260	127	140	30.47	31.02	1"	426	179.5	73.0	60.6
GP-065*-180*/O2 MH/D	1973	864	1109	672.5	353	240	600	273	70	65	330	145	185	70	530	80	165	190	80	250	40	468	519	260	127	140	4.20	4.27	1/4"	195	-132.3	73.0	54.9
GP-065*-235*/O2 MH/D	1978	864	1114	672.5	358	310	600	273	70	65	365	145	220	70	565	80	165	190	80	250	40	468	524	260	127	140	7.15	7.28	1/2"	226	-62.3	73.0	56.4
GP-065*-280*/O2 MH/D	1988	864	1124	672.5	368	355	600	273	70	65	388	145	243	70	588	80	165	190	80	250	40	468	534	260	127	140	10.16	10.34	1/2"	252	-14.8	73.0	57.3
GP-065*-335*/O2 MH/D	1998	864	1134	672.5	378	415	600	273	70	65	418	145	273	70	608	70	165	190	80	250	40	468	544	260	127	140	14.52	14.78	1/2"	297	51.3	73.0	58.6
GP-065*-385*/O2 MH/D	2001	864	1137	672.5	381	465	600	273	70	65	443	145	298	70	643	80	165	190	80	250	40	468	547	260	127	140	19.21	19.56	1"	334	91.0	73.0	59.3
GP-065*-435*/O2 MH/D	2006	864	1142	672.5	386	515	600	273	70	65	468	145	323	70	668	80	165	190	80	250	40	468	552	260	127	140	24.50	24.95	1"	380	129.4	73.0	60.0
GP-065*-485*/O2 MH/D	2011	864	1147	672.5	391	570	600	273	70	65	495	145	350	70	695	80	165	190	80	250	40	468	557	260	127	140	30.47	31.02	1"	435	164.7	73.0	60.7
GP-065*-180*/O3 MH/D	1916	807	1109	615.5	353	240	600	323.9	70	65	330	145	185	70	530	80	165	190	80	250	40	487	519	260	127	140	4.20	4.27	1/4"	246	-199.6	73.0	57.1
GP-065*-235*/O3 MH/D	1921	807	1114	615.5	358	310	600	323.9	70	65	365	145	220	70	565	80	165	190	80	250	40	487	524	260	127	140	7.15	7.28	1/2"	277	-135.1	73.0	58.1
GP-065*-280*/O3 MH/D	1931	807	1124	615.5	368	355	600	323.9	70	65	388	145	243	70	588	80	165	190	80	250	40	487	534	260	127	140	10.16	10.34	1/2"	303	-89.3	73.0	58.7
GP-065*-335*/O3 MH/D	1941	807	1134	615.5	378	415	600	323.9	70	65	418	145	273	70	608	70	165	190	80	250	40	487	544	260	127	140	14.52	14.78	1/2"	348	-23.2	73.0	59.5
GP-065*-385*/O3 MH/D	1944	807	1137	615.5	381	465	600	323.9	70	65	443	145	298	70	643	80	165	190	80	250	40	487	547	260	127	140	19.21	19.56	1"	385	18.4	73.0	60.1
GP-065*-435*/O3 MH/D	1949	807	1142	615.5	386	515	600	323.9	70	65	468	145	323	70	668	80	165	190	80	250	40	487	552	260	127	140	24.50	24.95	1"	431	60.0	73.0	60.6
GP-065*-485*/O3 MH/D	1954	807	1147	615.5	391	570	600	323.9	70	65	495	145	350	70	695	80	165	190	80	250	40	487	557	260	127	140	30.47	31.02	1"	486	99.5	73.0	61.1
GP-065*-180*/O4 MH/D	1887	778	1109	586.5	353	240	600	323.9	70	65	330	145	185	70	530	80	165	190	80	250	40	473	519	260	127	140	4.20	4.27	1/4"	245	-190.2	73.0	57.1
GP-065*-235*/O4 MH/D	1892	778	1114	586.5	358	310	600	323.9	70	65	365	145	220	70	565	80	165	190	80	250	40	473	524	260	127	140	7.15	7.28	1/2"	276	-126.5	73.0	58.0
GP-065*-280*/O4 MH/D	1902	778	1124	586.5	368	355	600	323.9	70	65	388	145	243	70	588	80	165	190	80	250	40	473	534	260	127	140	10.16	10.34	1/2"	302	-81.4	73.0	58.7
GP-065*-335*/O4 MH/D	1912	778	1134	586.5	378	415	600	323.9	70	65	418	145	273	70	608	70	165	190	80	250	40	473	544	260	127	140	14.52	14.78	1/2"	347	-16.1	73.0	59.5
GP-065*-385*/O4 MH/D	1915	778	1137	586.5	381	465	600	323.9	70	65	443	145	298	70	643	80	165	190	80	250	40	473	547	260	127	140	19.21	19.56	1"	384	24.9	73.0	60.1
GP-065*-435*/O4 MH/D	1920	778	1142	586.5	386	515	600	323.9	70	65	468	145	323	70	668	80	165	190	80	250	40	473	552	260	127	140	24.50	24.95	1"	430	65.9	73.0	60.6
GP-065*-485*/O4 MH/D	1925	778	1147	586.5	391	570	600	323.9	70	65	495	145	350	70	695	80	165	190	80	250	40	473	557	260	127	140	30.47	31.02	1"	485	104.8	73.0	61.1

GP 065
- CARTER CARBON STEEL - FLANGE TYPE ISO F25

ACTUATOR MODEL	ACTUATOR OVERALL DIMENSIONS (mm)																CARTER		SPOOL * (OPTIONAL)			LIFTING POINT		CLEARANCE FOR DISASSEMBLY			DISPLACEMENT (LITRES)		X	weight	CENTER GRAVITY		
	A	B	C	B2	C2	ØE	ØE1	F	F1	G	H	K	L	N	P	Q	AL	AR	M1	M	Weight	B3	C3	ES	EC	ET	Simmetric	Canted	(NPT)	(Kg)	XG	ZG	YG
GP-085-180*/O1 MH/D	2033	894	1139	673	353	240	600	273	70	85	335	130	205	70	530	80	195	220	80	250	40	498	549	305	147	140	5.47	5.60	1/4"	216	-101.3	74.0	70.6
GP-085-235*/O1 MH/D	2038	894	1144	673	358	310	600	273	70	85	370	130	240	70	565	80	195	220	80	250	40	498	554	305	147	140	9.32	9.54	1/2"	247	-37.5	74.0	72.5
GP-085-280*/O1 MH/D	2048	894	1154	673	368	355	600	273	70	85	393	130	263	70	588	80	195	220	80	250	40	498	564	305	147	140	13.23	13.54	1/2"	273	6.8	74.0	73.8
GP-085-335*/O1 MH/D	2058	894	1164	673	378	415	600	273	70	85	423	130	293	70	608	70	195	220	80	250	40	498	574	305	147	140	18.92	19.36	1/2"	318	69.7	74.0	75.5
GP-085-385*/O1 MH/D	2061	894	1167	673	381	465	600	273	70	85	448	130	318	70	643	80	195	220	80	250	40	498	577	305	147	140	25.03	25.61	1"	355	108.2	74.0	76.5
GP-085-435*/O1 MH/D	2066	894	1172	673	386	515	600	273	70	85	473	130	343	70	668	80	195	220	80	250	40	498	582	305	147	140	31.93	32.67	1"	401	146.1	74.0	77.5
GP-085-485*/O1 MH/D	2071	894	1177	673	391	570	600	273	70	85	500	130	370	70	695	80	195	220	80	250	40	498	587	305	147	140	39.70	40.62	1"	456	181.4	74.0	78.4
GP-085-535*/O1 MH/D	2076	894	1182	673	396	620	600	273	70	85	525	130	395	70	720	80	195	220	80	250	40	498	592	305	147	140	48.76	49.50	3/4"	505	208.2	74.0	79.1
GP-085-180*/O2 MH/D	2033	894	1139	673	353	240	600	273	70	85	335	130	205	70	530	80	195	220	80	250	40	498	549	305	147	140	5.47	5.60	1/4"	225	-119.9	74.0	71.2
GP-085-235*/O2 MH/D	2038	894	1144	673	358	310	600	273	70	85	370	130	240	70	565	80	195	220	80	250	40	498	554	305	147	140	9.32	9.54	1/2"	256	-56.1	74.0	73.0
GP-085-280*/O2 MH/D	2048	894	1154	673	368	355	600	273	70	85	393	130	263	70	588	80	195	220	80	250	40	498	564	305	147	140	13.23	13.54	1/2"	282	-11.5	74.0	74.2
GP-085-335*/O2 MH/D	2058	894	1164	673	378	415	600	273	70	85	423	130	293	70	608	70	195	220	80	250	40	498	574	305	147	140	18.92	19.36	1/2"	327	52.2	74.0	75.7
GP-085-385*/O2 MH/D	2061	894	1167	673	381	465	600	273	70	85	448	130	318	70	643	80	195	220	80	250	40	498	577	305	147	140	25.03	25.61	1"	364	91.6	74.0	76.7
GP-085-435*/O2 MH/D	2066	894	1172	673	386	515	600	273	70	85	473	130	343	70	668	80	195	220	80	250	40	498	582	305	147	140	31.93	32.67	1"	410	130.5	74.0	77.7
GP-085-485*/O2 MH/D	2071	894	1177	673	391	570	600	273	70	85	500	130	370	70	695	80	195	220	80	250	40	498	587	305	147	140	39.70	40.62	1"	465	166.9	74.0	78.6
GP-085-535*/O2 MH/D	2076	894	1182	673	396	620	600	273	70	85	525	130	395	70	720	80	195	220	80	250	40	498	592	305	147	140	48.76	49.50	3/4"	514	194.7	74.0	79.2
GP-085-180*/O3 MH/D	2046	907	1139	686	353	240	600	323.9	70	85	335	130	205	70	530	80	195	220	80	250	40	544	549	305	147	140	5.47	5.60	1/4"	280	-210.5	74.0	74.1
GP-085-235*/O3 MH/D	2051	907	1144	686	358	310	600	323.9	70	85	370	130	240	70	565	80	195	220	80	250	40	544	554	305	147	140	9.32	9.54	1/2"	311	-149.0	74.0	75.2
GP-085-280*/O3 MH/D	2061	907	1154	686	368	355	600	323.9	70	85	393	130	263	70	588	80	195	220	80	250	40	544	564	305	147	140	13.23	13.54	1/2"	337	-104.5	74.0	76.0
GP-085-335*/O3 MH/D	2071	907	1164	686	378	415	600	323.9	70	85	423	130	293	70	608	70	195	220	80	250	40	544	574	305	147	140	18.92	19.36	1/2"	382	-39.0	74.0	77.1
GP-085-385*/O3 MH/D	2074	907	1167	686	381	465	600	323.9	70	85	448	130	318	70	643	80	195	220	80	250	40	544	577	305	147	140	25.03	25.61	1"	419	3.3	74.0	77.8
GP-085-435*/O3 MH/D	2079	907	1172	686	386	515	600	323.9	70	85	473	130	343	70	668	80	195	220	80	250	40	544	582	305	147	140	31.93	32.67	1"	465	46.4	74.0	78.6
GP-085-485*/O3 MH/D	2084	907	1177	686	391	570	600	323.9	70	85	500	130	370	70	695	80	195	220	80	250	40	544	587	305	147	140	39.70	40.62	1"	520	87.9	74.0	79.3
GP-085-535*/O3 MH/D	2089	907	1182	686	396	620	600	323.9	70	85	525	130	395	70	720	80	195	220	80	250	40	544	592	305	147	140	48.76	49.50	3/4"	569	119.8	74.0	79.8
GP-085-180*/O4 MH/D	2046	907	1139	686	353	240	600	323.9	70	85	335	130	205	70	530	80	195	220	80	250	40	530	549	305	147	140	5.47	5.60	1/4"	260	-182.8	74.0	73.2
GP-085-235*/O4 MH/D	2051	907	1144	686	358	310	600	323.9	70	85	370	130	240	70	565	80	195	220	80	250	40	530	554	305	147	140	9.32	9.54	1/2"	291	-120.0	74.0	74.5
GP-085-280*/O4 MH/D	2061	907	1154	686	368	355	600	323.9	70	85	393	130	263	70	588	80	195	220	80	250	40	530	564	305	147	140	13.23	13.54	1/2"	317	-75.1	74.0	75.4
GP-085-335*/O4 MH/D	2071	907	1164	686	378	415	600	323.9	70	85	423	130	293	70	608	70	195	220	80	250	40	530	574	305	147	140	18.92	19.36	1/2"	362	-9.6	74.0	76.7
GP-085-385*/O4 MH/D	2074	907	1167	686	381	465	600	323.9	70	85	448	130	318	70	643	80	195	220	80	250	40	530	577	305	147	140	25.03	25.61	1"	399	32.1	74.0	77.5
GP-085-435*/O4 MH/D	2079	907	1172	686	386	515	600	323.9	70	85	473	130	343	70	668	80	195	220	80	250	40	530	582	305	147	140	31.93	32.67	1"	445	74.1	74.0	78.3
GP-085-485*/O4 MH/D	2084	907	1177	686	391	570	600	323.9	70	85	500	130	370	70	695	80	195	220	80	250	40	530	587	305	147	140	39.70	40.62	1"	500	114.2	74.0	79.0
GP-085-535*/O4 MH/D	2089	907	1182	686	396	620	600	323.9	70	85	525	130	395	70	720	80	195	220	80	250	40	530	592	305	147	140	48.76	49.50	3/4"	549	144.9	74.0	79.6
GP-085-180*/O5 MH/D	2046	907	1139	686	353	240	600	323.9	70	85	335	130	205	70	530	80	195	220	80	250	40	521	549	305	147	140	5.47	5.60	1/4"	290	-222.8	74.0	74.5
GP-085-235*/O5 MH/D	2051	907	1144	686	358	310	600	323.9	70	85	370	130	240	70	565	80	195	220	80	250	40	521	554	305	147	140	9.32	9.54	1/2"	321	-162.1	74.0	75.6
GP-085-280*/O5 MH/D	2061	907	1154	686	368	355	600	323.9	70	85	393	130	263	70	588	80	195	220	80	250	40	521	564	305	147	140	13.23	13.54	1/2"	347	-117.9	74.0	76.3
GP-085-335*/O5 MH/D	2071	907	1164	686	378	415	600	323.9	70	85	423	130	293	70	608	70	195	220	80	250	40	521	574	305	147	140	18.92	19.36	1/2"	392	-52.5	74.0	77.3
GP-085-385*/O5 MH/D	2074	907	1167	686	381	465	600	323.9	70	85	448	130	318	70	643	80	195	220	80	250	40	521	577	305	147	140	25.03	25.61	1"	429	-10.0	74.0	78.0
GP-085-435*/O5 MH/D	2079	907	1172	686	386	515	600	323.9	70	85	473	130	343	70	668	80	195	220	80	250	40	521	582	305	147	140	31.93	32.67	1"	475	33.4	74.0	78.7
GP-085-485*/O5 MH/D	2084	907	1177	686	391	570	600	323.9	70	85	500	130	370	70	695	80	195	220	80	250	40	521	587	305	147	140	39.70	40.62	1"	530	75.5	74.0	79.4
GP-085-535*/O5 MH/D	2089	907	1182	686	396	620	600	323.9	70	85	525	130	395	70	720	80	195	220	80	250	40	521	592	305	147	140	48.76	49.50	3/4"	579	107.9	74.0	79.9
GP-085-180*/O6 MH/D	2046	907	1139	686	353	240	600	323.9	70	85	335	130	205	70	530	80																	



- ⑤ LIFTING POINT ACTUATOR ONLY
- D ACCORDING TO VALVE FLANGE
- X PNEUMATIC CONNECTION
- NOTE 3 CONTROL PANEL INTERFACE ACCORDING TO : DWG. GD00198-040
- NOTE 2 COUPLING ACTUATOR INTERFACE ACCORDING TO : DWG. GD00198-030
- NOTE 1 MICROSWITCHES GROUP INTERFACE ACCORDING TO : DWG. GD00220

All dimensions are in mm



SINGLE ACTING PNEUMATIC ACTUATOR
FAIL TO CLOSE c/w MH(D)
OVERALL DIMENSIONS

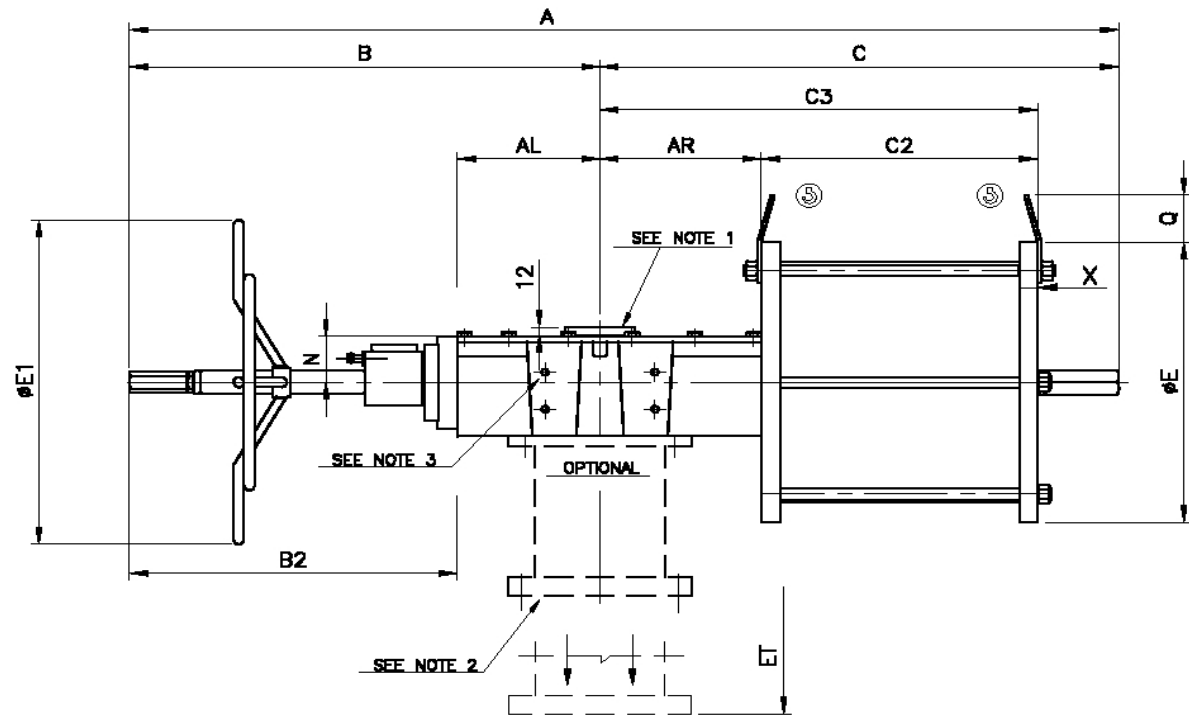
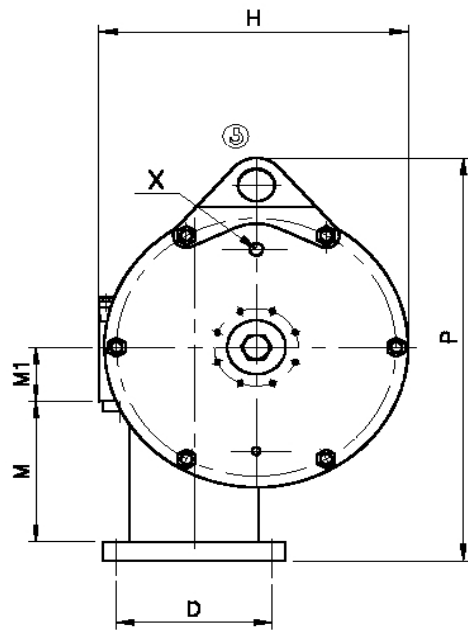
02	16.04.08	BERNINI	BARSOZZI
01	23.09.05	BERNINI	BARSOZZI
00	03.02.00	FERDENZI	PISARONI
rev.	date	drawn	check
OGPCM00ADC			

REPORTED ARE MAXIMUM DIMENSIONS - IT WILL BE CARE OF R.F.S. TO INFORM YOU IN CASE OF ANY DIMENSIONAL INCREASE

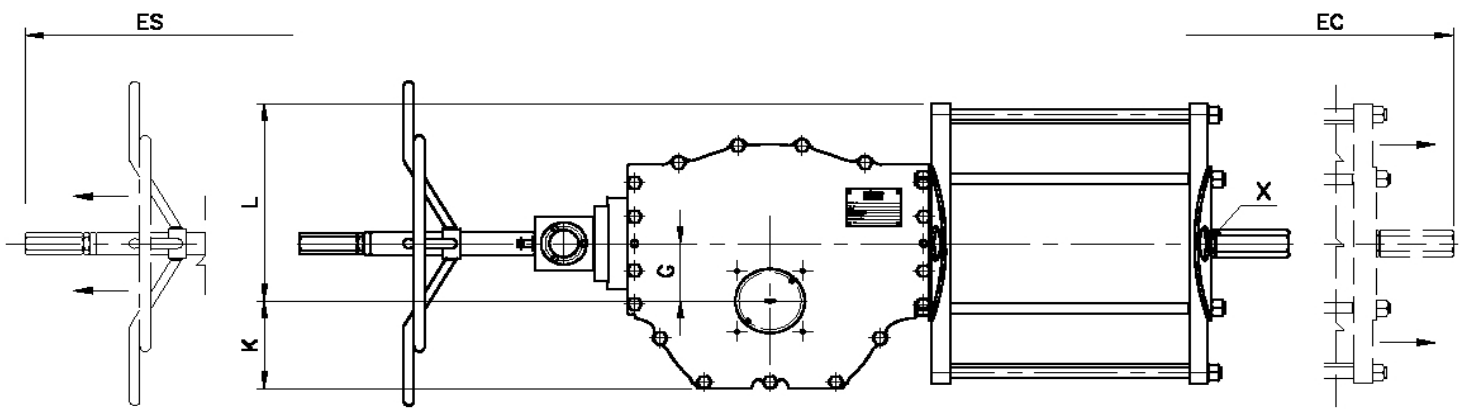
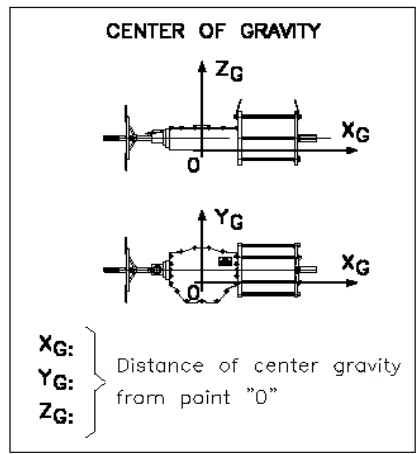
ACTUATOR MODEL	ACTUATOR OVERALL DIMENSIONS (mm)																	CARTER		SPOOL * (OPTIONAL)			LIFTING POINT			CLEARANCE FOR DISASSEMBLY			DISPLACEMENT (LITRES)		X	weight	CENTER GRAVITY		
	A	B	C	B2	C2	ØE	ØE1	F	F1	G	H	K	L	N	P	Q	AL	AR	M1	M	Weight	B3	C3	ES	EC	ET	Simmetric	Canted	(NPT)	(Kg)	XG	ZG	YG		
GP-065*-180*/C1 MH/D	1973	839	1134	672.5	353	240	600	273	70	65	330	145	185	70	530	80	165	190	80	250	40	443	544	260	127	140	4.20	4.27	1/4"	0	-74.0	73.0	54.4		
GP-065*-235*/C1 MH/D	1978	839	1139	672.5	358	310	600	273	70	65	365	145	220	70	565	80	165	190	80	250	40	443	549	260	127	140	7.15	7.28	1/2"	0	-7.4	73.0	56.0		
GP-065*-280*/C1 MH/D	1988	839	1149	672.5	368	355	600	273	70	65	388	145	243	70	588	80	165	190	80	250	40	443	559	260	127	140	10.16	10.34	1/2"	0	37.9	73.0	57.0		
GP-065*-385*/C1 MH/D	1998	839	1159	672.5	378	415	600	273	70	65	418	145	273	70	608	70	165	190	80	250	40	443	569	260	127	140	14.52	14.78	1/2"	0	100.8	73.0	58.4		
GP-065*-385*/C1 MH/D	2001	839	1162	672.5	381	465	600	273	70	65	443	145	298	70	643	80	165	190	80	250	40	443	572	260	127	140	19.21	19.56	1"	0	138.3	73.0	59.1		
GP-065*-435*/C1 MH/D	2006	839	1167	672.5	386	515	600	273	70	65	468	145	323	70	668	80	165	190	80	250	40	443	577	260	127	140	24.50	24.95	1"	0	174.4	73.0	59.9		
GP-065*-485*/C1 MH/D	2011	839	1172	672.5	391	570	600	273	70	65	495	145	350	70	695	80	165	190	80	250	40	443	582	260	127	140	30.47	31.02	1"	0	207.5	73.0	60.6		
GP-065*-180*/C2 MH/D	1973	839	1134	672.5	353	240	600	273	70	65	330	145	185	70	530	80	165	190	80	250	40	443	544	260	127	140	4.20	4.27	1/4"	0	-93.7	73.0	54.9		
GP-065*-235*/C2 MH/D	1978	839	1139	672.5	358	310	600	273	70	65	365	145	220	70	565	80	165	190	80	250	40	443	549	260	127	140	7.15	7.28	1/2"	0	-27.1	73.0	56.4		
GP-065*-280*/C2 MH/D	1988	839	1149	672.5	368	355	600	273	70	65	388	145	243	70	588	80	165	190	80	250	40	443	559	260	127	140	10.16	10.34	1/2"	0	18.7	73.0	57.3		
GP-065*-335*/C2 MH/D	1998	839	1159	672.5	378	415	600	273	70	65	418	145	273	70	608	70	165	190	80	250	40	443	569	260	127	140	14.52	14.78	1/2"	0	82.6	73.0	58.6		
GP-065*-385*/C2 MH/D	2001	839	1162	672.5	381	465	600	273	70	65	443	145	298	70	643	80	165	190	80	250	40	443	572	260	127	140	19.21	19.56	1"	0	121.0	73.0	59.3		
GP-065*-435*/C2 MH/D	2006	839	1167	672.5	386	515	600	273	70	65	468	145	323	70	668	80	165	190	80	250	40	443	577	260	127	140	24.50	24.95	1"	0	158.4	73.0	60.0		
GP-065*-485*/C2 MH/D	2011	839	1172	672.5	391	570	600	273	70	65	495	145	350	70	695	80	165	190	80	250	40	443	582	260	127	140	30.47	31.02	1"	0	192.8	73.0	60.7		
GP-065*-180*/C3 MH/D	1916	782	1134	615.5	353	240	600	323.9	70	65	330	145	185	70	530	80	165	190	80	250	40	462	544	260	127	140	4.20	4.27	1/4"	0	-162.5	73.0	57.1		
GP-065*-235*/C3 MH/D	1921	782	1139	615.5	358	310	600	323.9	70	65	365	145	220	70	565	80	165	190	80	250	40	462	549	260	127	140	7.15	7.28	1/2"	0	-100.4	73.0	58.1		
GP-065*-280*/C3 MH/D	1931	782	1149	615.5	368	355	600	323.9	70	65	388	145	243	70	588	80	165	190	80	250	40	462	559	260	127	140	10.16	10.34	1/2"	0	-56.1	73.0	58.7		
GP-065*-335*/C3 MH/D	1941	782	1159	615.5	378	415	600	323.9	70	65	418	145	273	70	608	70	165	190	80	250	40	462	569	260	127	140	14.52	14.78	1/2"	0	8.2	73.0	59.5		
GP-065*-385*/C3 MH/D	1944	782	1162	615.5	381	465	600	323.9	70	65	443	145	298	70	643	80	165	190	80	250	40	462	572	260	127	140	19.21	19.56	1"	0	48.7	73.0	60.1		
GP-065*-435*/C3 MH/D	1949	782	1167	615.5	386	515	600	323.9	70	65	468	145	323	70	668	80	165	190	80	250	40	462	577	260	127	140	24.50	24.95	1"	0	89.3	73.0	60.6		
GP-065*-485*/C3 MH/D	1954	782	1172	615.5	391	570	600	323.9	70	65	495	145	350	70	695	80	165	190	80	250	40	462	582	260	127	140	30.47	31.02	1"	0	128.0	73.0	61.1		
GP-065*-180*/C4 MH/D	1887	753	1134	586.5	353	240	600	323.9	70	65	330	145	185	70	530	80	165	190	80	250	40	448	544	260	127	140	4.20	4.27	1/4"	0	-153.2	73.0	57.1		
GP-065*-235*/C4 MH/D	1892	753	1139	586.5	358	310	600	323.9	70	65	365	145	220	70	565	80	165	190	80	250	40	448	549	260	127	140	7.15	7.28	1/2"	0	-91.9	73.0	58.0		
GP-065*-280*/C4 MH/D	1902	753	1149	586.5	368	355	600	323.9	70	65	388	145	243	70	588	80	165	190	80	250	40	448	559	260	127	140	10.16	10.34	1/2"	0	-48.2	73.0	58.7		
GP-065*-335*/C4 MH/D	1912	753	1159	586.5	378	415	600	323.9	70	65	418	145	273	70	608	70	165	190	80	250	40	448	569	260	127	140	14.52	14.78	1/2"	0	15.2	73.0	59.5		
GP-065*-385*/C4 MH/D	1915	753	1162	586.5	381	465	600	323.9	70	65	443	145	298	70	643	80	165	190	80	250	40	448	572	260	127	140	19.21	19.56	1"	0	55.1	73.0	60.1		
GP-065*-435*/C4 MH/D	1920	753	1167	586.5	386	515	600	323.9	70	65	468	145	323	70	668	80	165	190	80	250	40	448	577	260	127	140	24.50	24.95	1"	0	95.2	73.0	60.6		
GP-065*-485*/C4 MH/D	1925	753	1172	586.5	391	570	600	323.9	70	65	495	145	350	70	695	80	165	190	80	250	40	448	582	260	127	140	30.47	31.02	1"	0	133.2	73.0	61.1		

GP 065
- CARTER CARBON STEEL - FLANGE TYPE ISO F25

ACTUATOR MODEL	ACTUATOR OVERALL DIMENSIONS (mm)																	CARTER		SPOOL * (OPTIONAL)			LIFTING POINT		CLEARANCE FOR DISASSEMBLY			DISPLACEMENT (LITRES)		X	weight	CENTER GRAVITY		
	A	B	C	B2	C2	ØE	ØE1	F	F1	G	H	K	L	N	P	Q	AL	AR	M1	M	Weight	B3	C3	ES	EC	ET	Simmetric	Canted	(NPT)	(Kg)	XG	ZG	YG	
GP-085-180/C1 MH/D	2033	869	1164	673	353	240	600	273	70	85	335	130	205	70	530	80	195	220	80	250	40	473	574	305	147	140	5.47	5.60	1/4"	0	-65.8	74.0	70.6	
GP-085-235/C1 MH/D	2038	869	1169	673	358	310	600	273	70	85	370	130	240	70	565	80	195	220	80	250	40	473	579	305	147	140	9.32	9.54	1/2"	0	-4.5	74.0	72.5	
GP-085-280/C1 MH/D	2048	869	1179	673	368	355	600	273	70	85	393	130	263	70	588	80	195	220	80	250	40	473	589	305	147	140	13.23	13.54	1/2"	0	38.4	74.0	73.8	
GP-085-335/C1 MH/D	2058	869	1189	673	378	415	600	273	70	85	423	130	293	70	608	70	195	220	80	250	40	473	599	305	147	140	18.92	19.36	1/2"	0	99.6	74.0	75.5	
GP-085-385/C1 MH/D	2061	869	1192	673	381	465	600	273	70	85	448	130	318	70	643	80	195	220	80	250	40	473	602	305	147	140	25.03	25.61	1"	0	137.1	74.0	76.5	
GP-085-435/C1 MH/D	2066	869	1197	673	386	515	600	273	70	85	473	130	343	70	668	80	195	220	80	250	40	473	607	305	147	140	31.93	32.67	1"	0	174.1	74.0	77.5	
GP-085-485/C1 MH/D	2071	869	1202	673	391	570	600	273	70	85	500	130	370	70	695	80	195	220	80	250	40	473	612	305	147	140	39.70	40.62	1"	0	208.7	74.0	78.4	
GP-085-535/C1 MH/D	2076	869	1207	673	396	620	600	273	70	85	525	130	395	70	720	80	195	220	80	250	40	473	617	305	147	140	48.76	49.50	3/4"	0	235.0	74.0	79.1	
GP-085-180/C2 MH/D	2033	869	1164	673	353	240	600	273	70	85	335	130	205	70	530	80	195	220	80	250	40	473	574	305	147	140	5.47	5.60	1/4"	0	-84.4	74.0	71.2	
GP-085-235/C2 MH/D	2038	869	1169	673	358	310	600	273	70	85	370	130	240	70	565	80	195	220	80	250	40	473	579	305	147	140	9.32	9.54	1/2"	0	-23.0	74.0	73.0	
GP-085-280/C2 MH/D	2048	869	1179	673	368	355	600	273	70	85	393	130	263	70	588	80	195	220	80	250	40	473	589	305	147	140	13.23	13.54	1/2"	0	20.2	74.0	74.2	
GP-085-335/C2 MH/D	2058	869	1189	673	378	415	600	273	70	85	423	130	293	70	608	70	195	220	80	250	40	473	599	305	147	140	18.92	19.36	1/2"	0	82.2	74.0	75.7	
GP-085-385/C2 MH/D	2061	869	1192	673	381	465	600	273	70	85	448	130	318	70	643	80	195	220	80	250	40	473	602	305	147	140	25.03	25.61	1"	0	120.5	74.0	76.7	
GP-085-435/C2 MH/D	2066	869	1197	673	386	515	600	273	70	85	473	130	343	70	668	80	195	220	80	250	40	473	607	305	147	140	31.93	32.67	1"	0	158.6	74.0	77.7	
GP-085-485/C2 MH/D	2071	869	1202	673	391	570	600	273	70	85	500	130	370	70	695	80	195	220	80	250	40	473	612	305	147	140	39.70	40.62	1"	0	194.3	74.0	78.6	
GP-085-535/C2 MH/D	2076	869	1207	673	396	620	600	273	70	85	525	130	395	70	720	80	195	220	80	250	40	473	617	305	147	140	48.76	49.50	3/4"	0	221.6	74.0	79.2	
GP-085-180/C3 MH/D	2046	882	1164	686	353	240	600	323.9	70	85	335	130	205	70	530	80	195	220	80	250	40	519	574	305	147	140	5.47	5.60	1/4"	0	-175.4	74.0	74.1	
GP-085-235/C3 MH/D	2051	882	1169	686	358	310	600	323.9	70	85	370	130	240	70	565	80	195	220	80	250	40	519	579	305	147	140	9.32	9.54	1/2"	0	-115.8	74.0	75.2	
GP-085-280/C3 MH/D	2061	882	1179	686	368	355	600	323.9	70	85	393	130	263	70	588	80	195	220	80	250	40	519	589	305	147	140	13.23	13.54	1/2"	0	-72.5	74.0	76.0	
GP-085-335/C3 MH/D	2071	882	1189	686	378	415	600	323.9	70	85	423	130	293	70	608	70	195	220	80	250	40	519	599	305	147	140	18.92	19.36	1/2"	0	-8.5	74.0	77.1	
GP-085-385/C3 MH/D	2074	882	1192	686	381	465	600	323.9	70	85	448	130	318	70	643	80	195	220	80	250	40	519	602	305	147	140	25.03	25.61	1"	0	32.8	74.0	77.8	
GP-085-435/C3 MH/D	2079	882	1197	686	386	515	600	323.9	70	85	473	130	343	70	668	80	195	220	80	250	40	519	607	305	147	140	31.93	32.67	1"	0	75.0	74.0	78.6	
GP-085-485/C3 MH/D	2084	882	1202	686	391	570	600	323.9	70	85	500	130	370	70	695	80	195	220	80	250	40	519	612	305	147	140	39.70	40.62	1"	0	115.8	74.0	79.3	
GP-085-535/C3 MH/D	2089	882	1207	686	396	620	600	323.9	70	85	525	130	395	70	720	80	195	220	80	250	40	519	617	305	147	140	48.76	49.50	3/4"	0	147.3	74.0	79.8	
GP-085-180/C4 MH/D	2046	882	1164	686	353	240	600	323.9	70	85	335	130	205	70	530	80	195	220	80	250	40	505	574	305	147	140	5.47	5.60	1/4"	0	-147.6	74.0	73.2	
GP-085-235/C4 MH/D	2051	882	1169	686	358	310	600	323.9	70	85	370	130	240	70	565	80	195	220	80	250	40	505	579	305	147	140	9.32	9.54	1/2"	0	-86.8	74.0	74.5	
GP-085-280/C4 MH/D	2061	882	1179	686	368	355	600	323.9	70	85	393	130	263	70	588	80	195	220	80	250	40	505	589	305	147	140	13.23	13.54	1/2"	0	-43.1	74.0	75.4	
GP-085-335/C4 MH/D	2071	882	1189	686	378	415	600	323.9	70	85	423	130	293	70	608	70	195	220	80	250	40	505	599	305	147	140	18.92	19.36	1/2"	0	20.7	74.0	76.7	
GP-085-385/C4 MH/D	2074	882	1192	686	381	465	600	323.9	70	85	448	130	318	70	643	80	195	220	80	250	40	505	602	305	147	140	25.03	25.61	1"	0	61.4	74.0	77.5	
GP-085-435/C4 MH/D	2079	882	1197	686	386	515	600	323.9	70	85	473	130	343	70	668	80	195	220	80	250	40	505	607	305	147	140	31.93	32.67	1"	0	102.6	74.0	78.3	
GP-085-485/C4 MH/D	2084	882	1202	686	391	570	600	323.9	70	85	500	130	370	70	695	80	195	220	80	250	40	505	612	305	147	140	39.70	40.62	1"	0	142.0	74.0	79.0	
GP-085-535/C4 MH/D	2089	882	1207	686	396	620	600	323.9	70	85	525	130	395	70	720	80	195	220	80	250	40	505	617	305	147	140	48.76	49.50	3/4"	0	172.2	74.0	79.6	
GP-085-180/C5 MH/D	2046	882	1164	686	353	240	600	323.9	70	85	335	130	205	70	530	80	195	220	80	250	40	496	574	305	147	140	5.47	5.60	1/4"	0	-187.9	74.0	74.5	
GP-085-235/C5 MH/D	2051	882	1169	686	358	310	600	323.9	70	85	370	130	240	70	565	80	195	220	80	250	40	496	579	305	147	140	9.32	9.54	1/2"	0	-129.0	74.0	75.6	
GP-085-280/C5 MH/D	2061	882	1179	686	368	355	600	323.9	70	85	393	130	263	70	588	80	195	220	80	250	40	496	589	305	147	140	13.23	13.54	1/2"	0	-85.9	74.0	76.3	
GP-085-335/C5 MH/D	2071	882	1189	686	378	415	600	323.9	70	85	423	130	293	70	608	70	195	220	80	250	40	496	599	305	147	140	18.92	19.36	1/2"	0	-22.0	74.0	77.3	
GP-085-385/C5 MH/D	2074	882	1192	686	381	465	600	323.9	70	85	448	130	318	70	643	80	195	220	80	250	40	496	602	305	147	140	25.03	25.61	1"	0	19.5	74.0	78.0	
GP-085-435/C5 MH/D	2079	882	1197	686	386	515	600	323.9	70	85	473	130	343	70	668	80	195	220	80	250	40	496	607	305	147	140	31.93	32.67	1"	0	62.1	74.0	78.7	
GP-085-485/C5 MH/D	2084	882	1202	686	391	570	600	323.9	70	85	500	130	370	70	695	80	195	220	80	250	40	496	612	305	147	140	39.70	40.62	1"	0	103.5	74.0	79.4	
GP-085-535/C5 MH/D	2089	882	1207	686	396	620	600	323.9	70	85	525	130	395	70	720	80	195	220	80	250	40	496	617	305	147	140	48.76	49.50	3/4"	0	135.4	74.0	79.9	
GP-085-180/C6 MH/D	2046	882	1164	686	353	240	600	323.9	70	85	335	130	205	70	530	80	195	220	80	250														



SEE NOTE 2



- Ⓢ LIFTING POINT ACTUATOR ONLY
- D ACCORDING TO VALVE FLANGE
- X PNEUMATIC CONNECTION
- NOTE 3 CONTROL PANEL INTERFACE ACCORDING TO : DWG. GD00198-040
- NOTE 2 COUPLING ACTUATOR INTERFACE ACCORDING TO : DWG. GD00198-030
- NOTE 1 MICROSWITCHES GROUP INTERFACE ACCORDING TO : DWG. GD00220

All dimensions are in mm



PNEUMATIC ACTUATOR
DOUBLE ACTING c/w MD
OVERALL DIMENSIONS

02	16.04.08	BERNINI	BARSOZZI
01	08.06.05	BERNINI	BARSOZZI
00	03.02.00	FERDENZI	PIGARONI
rev.	date	drawn	check

OGPDF00ADC

REPORTED ARE MAXIMUM DIMENSIONS - IT WILL BE CARE OF R.F.S. TO INFORM YOU IN CASE OF ANY DIMENSIONAL INCREASE

**GP RANGE METRIC DIMENSION DATA
- DOUBLE ACTING + MANUAL OVERRIDE MD - OGPDF00ADC REV.2**

	ACTUATOR MODEL	ACTUATOR OVERALL DIMENSIONS (mm)														CARTER		SPOOL * (OPTIONAL)			LIFTING POINT	CLEARANCE FOR DISASSEMBLY			DISPLACEMENT (LITRES)		X	weight	CENTER GRAVITY		
		A	B	C	B2	C2	ØE	ØE1	G	H	K	L	N	P	Q	AL	AR	M1	M	Weight	C3	ES	EC	ET	Simmetric	Canted	(NPT)	(Kg)	XG	ZG	YG
GP 065 - CARTER - CARBON STEEL - FLANGE TYPE - ISO F25	GP-065*-180*/D1 MD	1385	726	659	560	353	240	600	65	330	145	185	70	530	80	165	190	80	250	14	544	160	127	140	4.20	4.27	1/4"	0	89.3	73.0	48.5
	GP-065*-235*/D1 MD	1390	726	664	560	358	310	600	65	365	145	220	70	565	80	165	190	80	250	14	549	160	127	140	7.15	7.28	1/2"	0	154.9	73.0	52.1
	GP-065*-280*/D1 MD	1400	726	674	560	368	355	600	65	388	145	243	70	588	80	165	190	80	250	18	559	160	127	140	10.16	10.34	1/2"	0	194.5	73.0	54.1
	GP-065*-335*/D1 MD	1410	726	684	560	378	415	600	65	418	145	273	70	608	70	165	190	80	250	18	569	160	127	140	14.52	14.78	1/2"	0	245.9	73.0	56.4
	GP-065*-385*/D1 MD	1423	726	697	560	381	465	600	65	443	145	298	70	643	80	165	190	80	250	25	572	160	127	140	19.21	19.56	1"	0	272.9	73.0	57.7
	GP-065*-435*/D1 MD	1428	726	702	560	386	515	600	65	468	145	323	70	668	80	165	190	80	250	25	577	160	127	140	24.50	24.95	1"	0	297.0	73.0	58.8
GP-065*-485*/D1 MD	1433	726	707	560	391	570	600	65	495	145	350	70	695	80	165	190	80	250	32	582	160	127	140	30.47	31.02	1"	0	317.8	73.0	59.8	
GP 085 - CARTER - CAST IRON - FLANGE TYPE - ISO F25	GP-085*-180*/D1 MD	1445	756	689	560	353	240	600	85	335	130	205	70	530	80	195	220	80	250	14	574	160	147	140	5.47	5.60	1/4"	0	77.1	74.0	64.4
	GP-085*-235*/D1 MD	1450	756	694	560	358	310	600	85	370	130	240	70	565	80	195	220	80	250	14	579	160	147	140	9.32	9.54	1/2"	0	138.9	74.0	68.1
	GP-085*-280*/D1 MD	1460	756	704	560	368	355	600	85	393	130	263	70	588	80	195	220	80	250	18	589	160	147	140	13.23	13.54	1/2"	0	178.6	74.0	70.3
	GP-085*-335*/D1 MD	1470	756	714	560	378	415	600	85	423	130	293	70	608	70	195	220	80	250	18	599	160	147	140	18.92	19.36	1/2"	0	232.1	74.0	73.1
	GP-085*-385*/D1 MD	1483	756	727	560	381	465	600	85	448	130	318	70	643	80	195	220	80	250	25	602	160	147	140	25.03	25.61	1"	0	262.0	74.0	74.6
	GP-085*-435*/D1 MD	1488	756	732	560	386	515	600	85	473	130	343	70	668	80	195	220	80	250	25	607	160	147	140	31.93	32.67	1"	0	289.6	74.0	76.1
GP-085*-485*/D1 MD	1493	756	737	560	391	570	600	85	500	130	370	70	695	80	195	220	80	250	32	612	160	147	140	39.70	40.62	1"	0	314.2	74.0	77.4	
GP-085*-535*/D1 MD	1498	756	742	560	396	620	600	85	525	130	395	70	720	80	195	220	80	250	40	617	160	147	140	48.76	49.50	3/4"	0	333.0	74.0	78.3	
GP 100 - CARTER - CARBON STEEL - FLANGE TYPE - ISO F25	GP-100*-335*/D1 MD	1817	876	941	650	515	415	800	100	468	160	308	84	691	70	225	255	93	320	48	771	220	170	167	22.26	22.79	1/2"	0	275.6	86.7	87.0
	GP-100*-385*/D1 MD	1817	876	941	650	515	465	800	100	493	160	333	84	726	80	225	255	93	320	60	771	220	170	167	29.45	30.15	1"	0	319.3	86.7	88.7
	GP-100*-435*/D1 MD	1822	876	946	650	520	515	800	100	518	160	358	84	791	120	225	255	93	320	60	776	220	170	167	37.57	38.46	1"	0	342.8	86.7	90.0
	GP-100*-485*/D1 MD	1827	876	951	650	525	570	800	100	545	160	385	84	813	115	225	255	93	320	69	781	220	170	167	46.72	47.82	1"	0	381.9	86.7	91.5
	GP-100*-535*/D1 MD	1854	876	978	650	525	620	800	100	570	160	410	84	803	80	225	255	93	320	69	781	220	170	167	56.84	58.19	1"	0	393.6	86.7	92.3
	GP-100*-585*/D1 MD	1854	876	978	650	525	680	800	100	600	160	440	84	833	80	225	255	93	320	80	781	220	170	167	67.97	69.58	1"	0	422.2	86.7	93.4
GP-100*-635*/D1 MD	1869	876	993	650	540	730	800	100	625	160	465	84	888	110	225	255	93	320	80	796	220	170	167	80.07	81.97	1"	0	457.1	86.7	94.6	